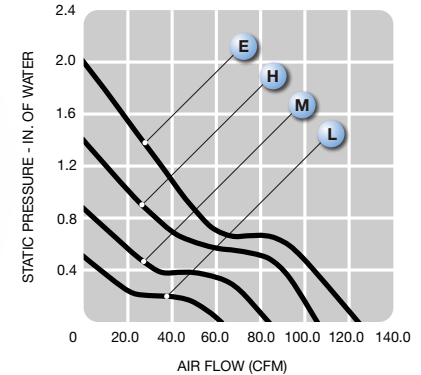
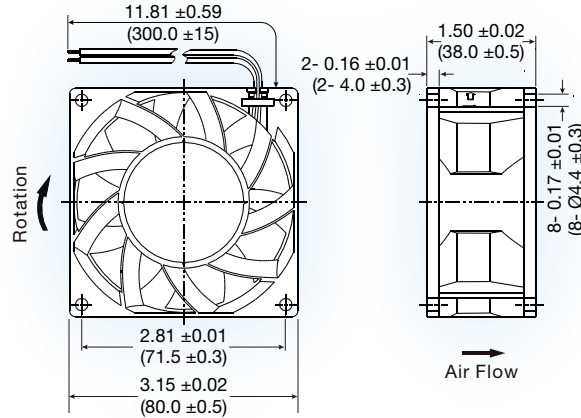


MQ8038 series

HIGH PERFORMANCE



(80 x 80 x 38 mm)
3.15 x 3.15 x 1.50 inches

Construction: UL94V-0 PBT impeller & frame

Bearing option: ball bearing

Connection: AWG 24, UL1007 lead wires

Frame: flanged

Protection: thermal

Options: tachometer output or locked rotor alarm signal; PWM speed control

Model No.	Rated Voltage V	Current mA			Speed RPM	Air Volume		Max. Static Pressure (H ₂ O)		Sound Noise dB(A)	Weight g
		12	24	48		M ³ /Min.	CFM	MM	INCH		
MQ8038L	12/24/48	450	250	180	4,500	1.74	61.50	12.4	0.49	49	180
MQ8038M	12/24/48	850	450	280	6,000	2.36	83.40	21.8	0.86	57	180
MQ8038H	12/24/48	1550	780	450	7,500	2.98	105.20	34.8	1.37	63	180
MQ8038E	12/24/48	2800	1400	750	9,000	3.49	123.30	50.0	1.97	67	180