

NOTES:

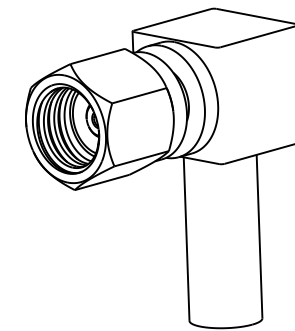
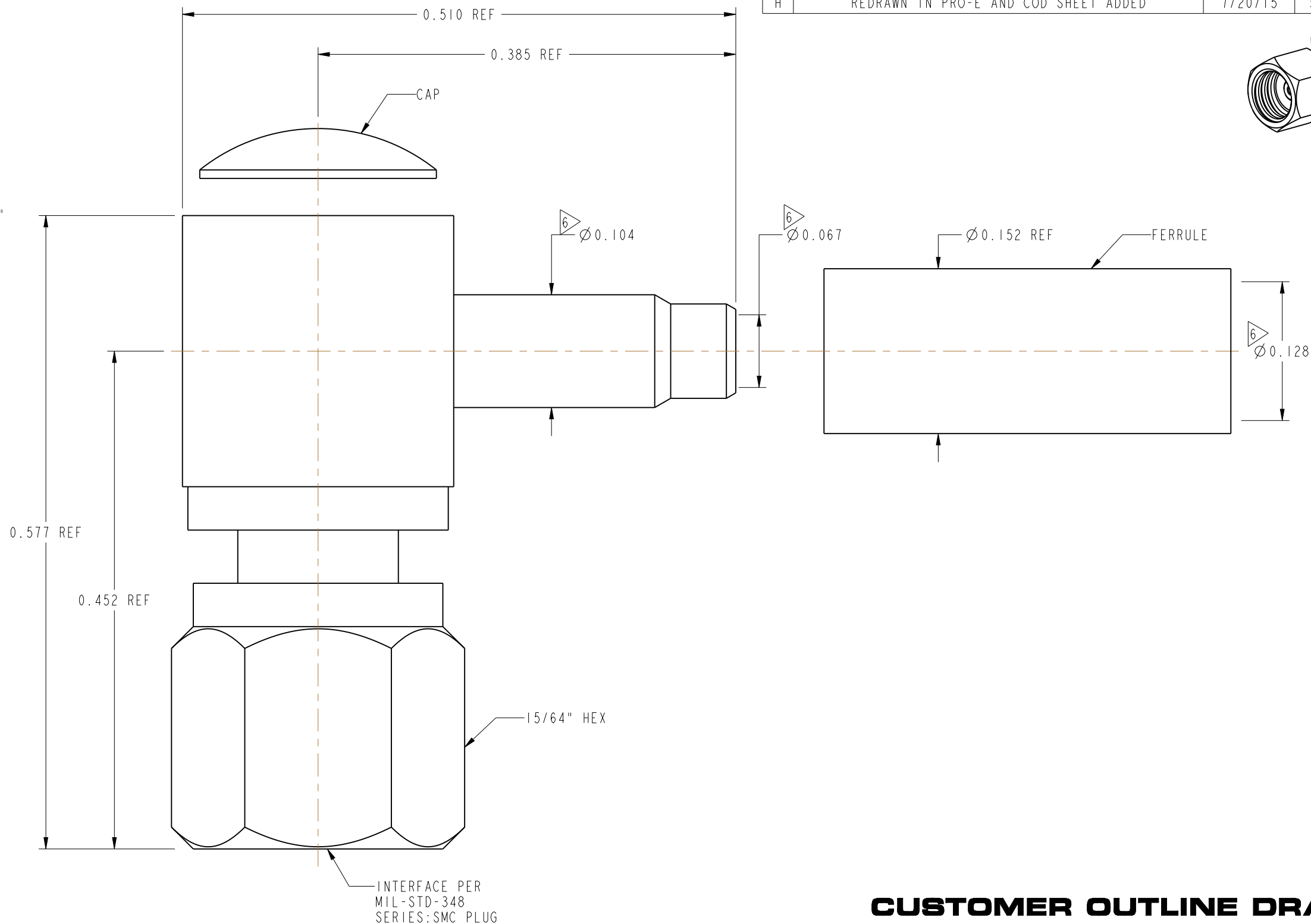
1. MATERIALS AND FINISHES:  
 COUPLING NUT & CAP - BRASS, GOLD PLATING  
 CONTACT - BeCu, GOLD PLATING  
 FERRULE - COPPER, GOLD PLATING  
 INSULATOR - PTFE, NATURAL
2. ELECTRICAL:  
 A. IMPEDANCE: 50 OHM
3. MECHANICAL:  
 A. DURABILITY: 500 CYCLES MIN.  
 B. TEMPERATURE RANGE: -65° C TO +165° C
4. PACKAGING:  
 A. QUANTITY: SINGLE PACK  
 B. MARKING: BAG TO BE MARKED  
 "AMPHENOL RF, 903-288P-51A, AND DATE CODE"
5. CABLE ASSEMBLY INSTRUCTIONS:  
 A. FOR ASSEMBLY INSTRUCTIONS SEE AMPHENOL  
 SPEC. 349-50521, SEE SHEET 3.

6 SHOWS CABLE ENTRY DIMENSIONS.

THIRD ANGLE PROJ.

REVISIONS

REV	DESCRIPTION	DATE	ECO	APPR
--	RELEASE TO MFG.	--	--	--
H	REDRAWN IN PRO-E AND COD SHEET ADDED	7/20/15	50409	AAP



SCALE 2.500

**CUSTOMER OUTLINE DRAWING**

ALL OTHER SHEETS ARE FOR INTERNAL USE ONLY

UNLESS OTHERWISE SPECIFIED, DIMENSIONS ARE IN INCHES AND TOLERANCES ARE: 2 PLACE DECIMAL 3 PLACE DECIMAL ANGLES $\pm .015$ (0,381 mm) $\pm .005$ (0,127 mm) $\pm 1^\circ$	MATERIAL	DRAWN	DATE	TITLE SMC RA PLUG FOR RG-174, 188, 316/U CABLES		Amphenol RF www.amphenolrf.com	
	SEE NOTES	A ARUN PRABU	02-Mar-15				
NOTICE - These drawings, specifications, or other data (1) are, and remain the property of Amphenol corp. (2) must be returned upon request; and (3) are confidential and not to be disclosed to any person other than those to whom they are given by Amphenol Corp. the furnishing of these drawings, specifications, or other data by Amphenol Corp., or to any other person to anyone for any purpose is not to be regarded by implication or otherwise in any manner licensing, granting rights to permitting such holder or any other person to manufacture, use or sell any product, process or design, patented or otherwise, that may in any way be related to or disclosed by said drawings, specifications, or other data.	REFERENCE EAR #	ENGINEER	DATE	SCALE: 9.5:1.0 SHEET 2 OF 2		DRAWING NO.903-288P-52A ITEM NO.903-288P-52A	
	CONFIGURATION LEVEL: In Work	D.ROYCE	23-Aug-94				
	FINISH	APPROVED	DATE	DWG SIZE B		REV H	
	K. CAPOZZI	7/17/15					