


## HC-D 25-TFL-72/O1M25S

Order No.: 1604969

<http://eshop.phoenixcontact.de/phoenix/treeViewClick.do?UID=1604969>

HEAVYCON sleeve housing D25, for single locking latch, height 72 mm, with support 1 M25, lateral conductor exit

### Commercial data

|                          |   |
|--------------------------|---|
| GTIN (EAN)               | <br>4 017918 881573 |
| sales group              | D011  |
| Pack                     | 10 pcs.   |
| Customs tariff           | 85389099  |
| Catalog page information | Page 512 (PC-2009)  |

### Product notes

WEEE/RoHS-compliant since:  
03/01/2006



<http://www.download.phoenixcontact.com>  
Please note that the data given here has been taken from the online catalog. For comprehensive information and data, please refer to the user documentation. The General Terms and Conditions of Use apply to Internet downloads.

### Technical data

#### General data

|        |                                 |
|--------|---------------------------------|
| Note   | For contact inserts HC-D25, A16 |
| Design | D25                             |
| Height | 72 mm                           |
| Width  | 36 mm                           |

|                                 |                          |
|---------------------------------|--------------------------|
| Length                          | 79.5 mm                  |
| Housing type                    | Sleeve housings          |
| Locking type                    | for single locking latch |
| Cable exit                      | Lateral                  |
| Type of the screw connection    | 1x M25                   |
| Degree of protection            | IP65                     |
| Ambient temperature (operation) | -40 °C ... 125 °C        |
| Housing material                | Aluminum, die-cast       |
| Housing surface material        | Powder-coated, gray      |
| Seal material                   | NBR                      |

### Certificates / Approvals

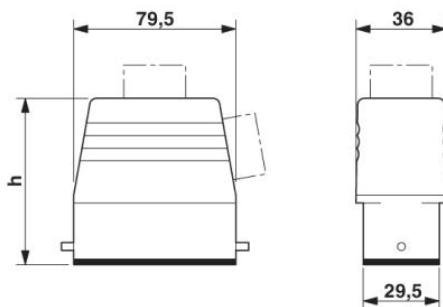


Certification

GOST

### Diagrams/Drawings

Dimensioned drawing



**Address**

PHOENIX CONTACT Inc., USA  
586 Fulling Mill Road  
Middletown, PA 17057, USA  
Phone (800) 888-7388  
Fax (717) 944-1625  
<http://www.phoenixcon.com>



© 2010 Phoenix Contact  
Technical modifications reserved;