

DM74AS1804 Hex 2-Input NAND Driver

General Description

These devices contain six independent 2-Input drivers each of which performs the logic NAND function. The DM74AS1804 is equivalent to the DM74AS804B but the supply voltage and ground pins are centered in the package. This positioning of the supply voltage and ground pins reduce the lead inductance of these pins. This reduction of lead inductance will minimize noise generated onto either the supply voltage or ground bus which is significant in high current switching applications.

Features

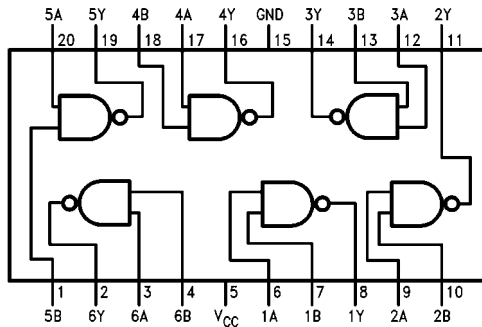
- Switching specifications at 50 pF
- Switching specifications guaranteed over full temperature and V_{CC} range
- Advanced oxide-isolated, ion-implanted Schottky TTL process
- Centered V_{CC} and GND configuration provides minimum lead inductance for high current switching applications
- High capacitive drive capability

Ordering Code:

Order Number	Package Number	Package Description
DM74AS1804WM	M20B	20-Lead Small Outline Integrated Circuit (SOIC), JEDEC MS-013, 0.300 Wide
DM74AS1804N	N20A	20-Lead Plastic Dual-In-Line Package (PDIP), JEDEC MS-001, 0.300 Wide

Devices also available in Tape and Reel. Specify by appending the suffix letter "X" to the ordering code.

Connection Diagram



Function Table

$$Y = \overline{A * B}$$

INPUTS		OUTPUT
A	B	Y
L	L	H
L	H	H
H	L	H
H	H	L

H = HIGH Logic Level
L = LOW Logic Level

Absolute Maximum Ratings(Note 1)

Supply Voltage	7V
Input Voltage	7V
Operating Free Air Temperature	0°C to +70°C
Storage Temperature Range	-65°C to +150°C
Typical θ_{JA}	
N Package	58.3°C/W
M Package	154.0°C/W

Note 1: The "Absolute Maximum Ratings" are those values beyond which the safety of the device can not be guaranteed. The device should not be operated at these limits. The parametric values defined in the Electrical Characteristics tables are not guaranteed at the absolute maximum ratings. The "Recommended Operating Conditions" table will define the conditions for actual device operation.

Recommended Operating Conditions

Symbol	Parameter	Min	Nom	Max	Units
V_{CC}	Supply Voltage	4.5	5	5.5	V
V_{IH}	HIGH Level Input Voltage	2			V
V_{IL}	LOW Level Input Voltage			0.8	V
I_{OH}	HIGH Level Output Current			-48	mA
I_{OL}	LOW Level Output Current			48	mA
T_A	Operating Free Air Temperature Range	0		70	°C

Electrical Characteristics

over recommended operating free air temperature range

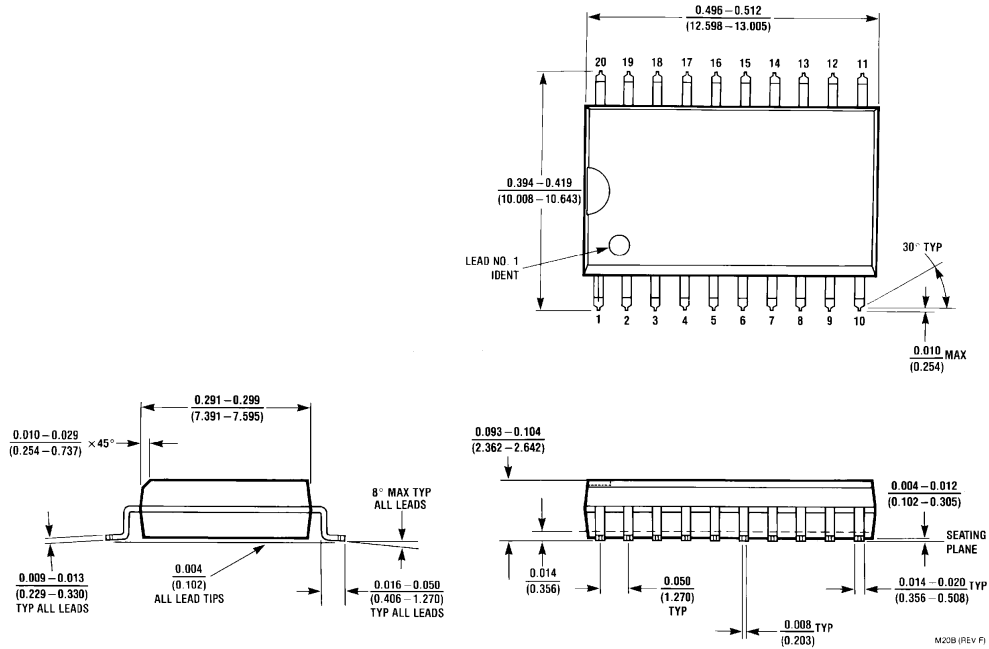
Symbol	Parameter	Conditions	Min	Typ	Max	Units
V_{IK}	Input Clamp Voltage	$V_{CC} = 4.5V, I_I = -18 mA$			-1.2	V
V_{OH}	HIGH Level Output Voltage	$I_{OH} = -2 mA, V_{CC} = 4.5V \text{ to } 5.5V$	$V_{CC} - 2$			V
		$I_{OH} = -3 mA, V_{CC} = 4.5V$	2.4	3.2		
		$I_{OH} = \text{Max}, V_{CC} = 4.5V$	2			
V_{OL}	LOW Level Output Voltage	$V_{CC} = 4.5V, I_{OL} = \text{Max}, V_{IH} = 2V$			0.5	V
I_I	Input Current at Maximum Input Voltage	$V_{CC} = 5.5V, V_I = 7V$			100	μA
I_{IH}	HIGH Level Input Current	$V_{CC} = 5.5V, V_I = 2.7V$			20	μA
I_{IL}	LOW Level Input Current	$V_{CC} = 5.5V, V_I = 0.4V$			-500	μA
I_O	Output Drive Current	$V_{CC} = 5.5V, V_O = 2.25V$	-50	-135	-200	mA
I_{CCH}	Supply Current with Outputs HIGH	$V_{CC} = 5.5V$		3.5	5	mA
I_{CCL}	Supply Current with Outputs LOW	$V_{CC} = 5.5V$		16	27	mA

Switching Characteristics

over recommended operating free air temperature range

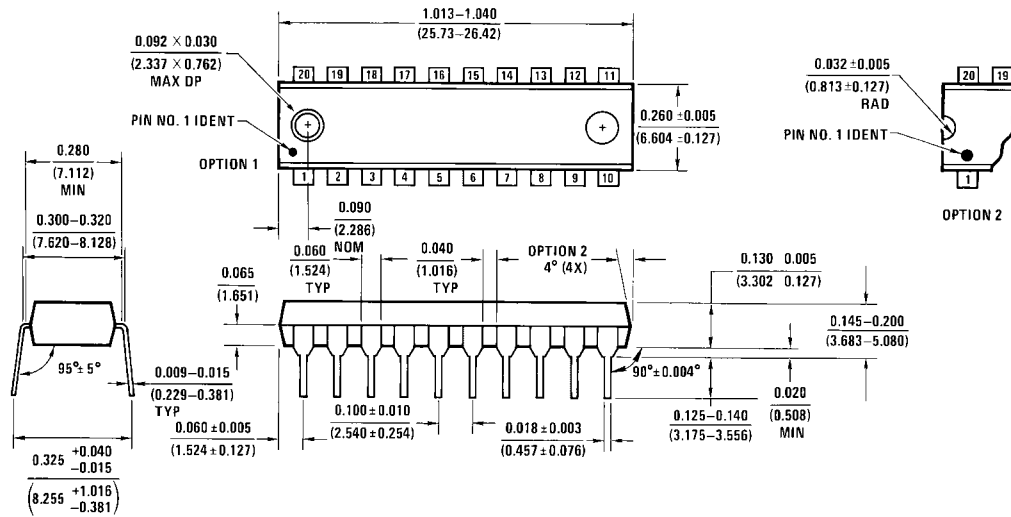
Symbol	Parameter	Conditions	Min	Max	Units
t_{PLH}	Propagation Delay Time	$V_{CC} = 4.5V \text{ to } 5.5V$ $R_L = 500\Omega$	1	4	ns
	LOW-to-HIGH Level Output				
t_{PHL}	Propagation Delay Time	$C_L = 50 pF$	1	4	ns
	HIGH-to-LOW Level Output				

Physical Dimensions inches (millimeters) unless otherwise noted



**20-Lead Small Outline Integrated Circuit (SOIC), JEDEC MS-013, 0.300 Wide
Package Number M20B**

Physical Dimensions inches (millimeters) unless otherwise noted (Continued)



N20A (REV G)

20-Lead Plastic Dual-In-Line Package (PDIP), JEDEC MS-001, 0.300 Wide Package Number N20A

Fairchild does not assume any responsibility for use of any circuitry described, no circuit patent licenses are implied and Fairchild reserves the right at any time without notice to change said circuitry and specifications.

LIFE SUPPORT POLICY

FAIRCHILD'S PRODUCTS ARE NOT AUTHORIZED FOR USE AS CRITICAL COMPONENTS IN LIFE SUPPORT DEVICES OR SYSTEMS WITHOUT THE EXPRESS WRITTEN APPROVAL OF THE PRESIDENT OF FAIRCHILD SEMICONDUCTOR CORPORATION. As used herein:

1. Life support devices or systems are devices or systems which, (a) are intended for surgical implant into the body, or (b) support or sustain life, and (c) whose failure to perform when properly used in accordance with instructions for use provided in the labeling, can be reasonably expected to result in a significant injury to the user.
2. A critical component in any component of a life support device or system whose failure to perform can be reasonably expected to cause the failure of the life support device or system, or to affect its safety or effectiveness.

www.fairchildsemi.com