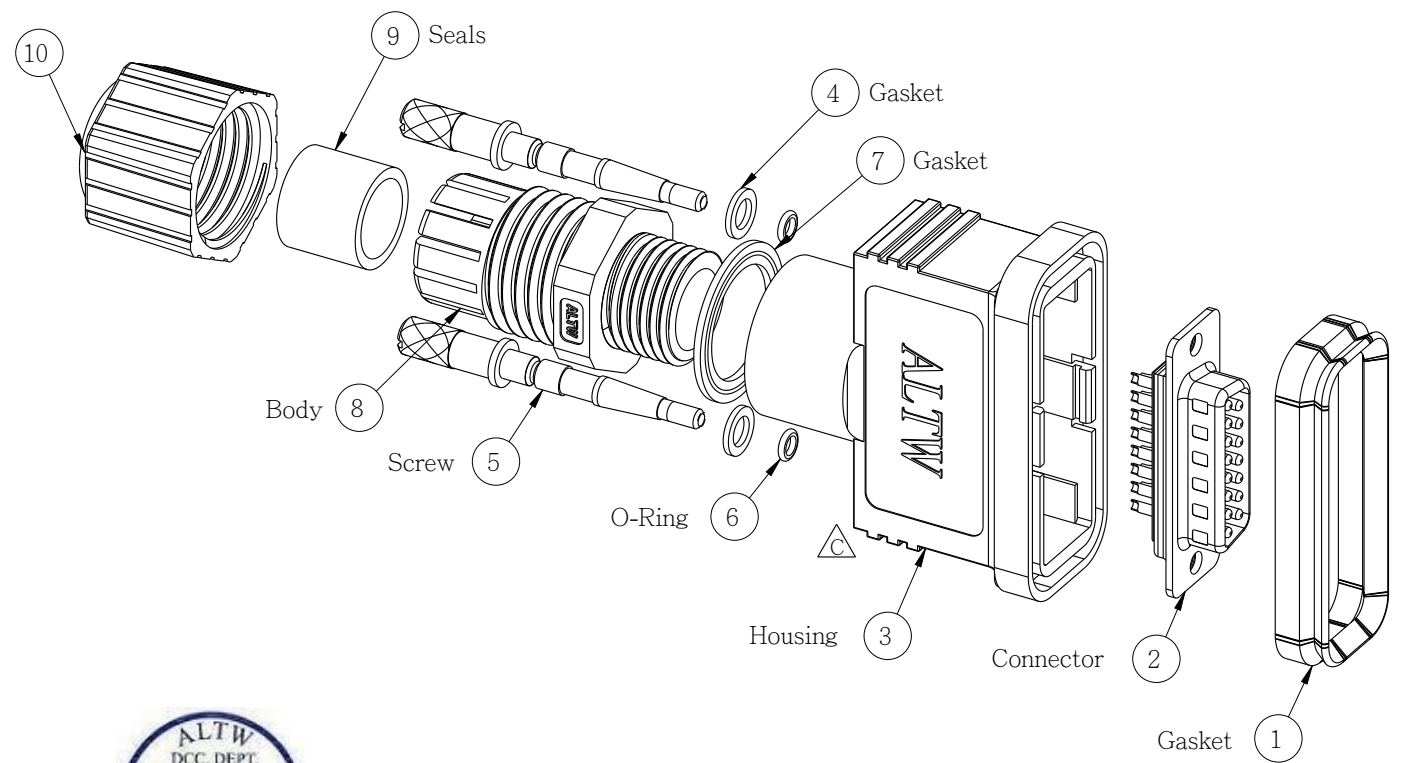
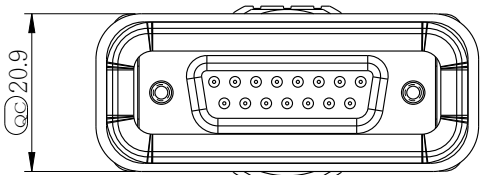
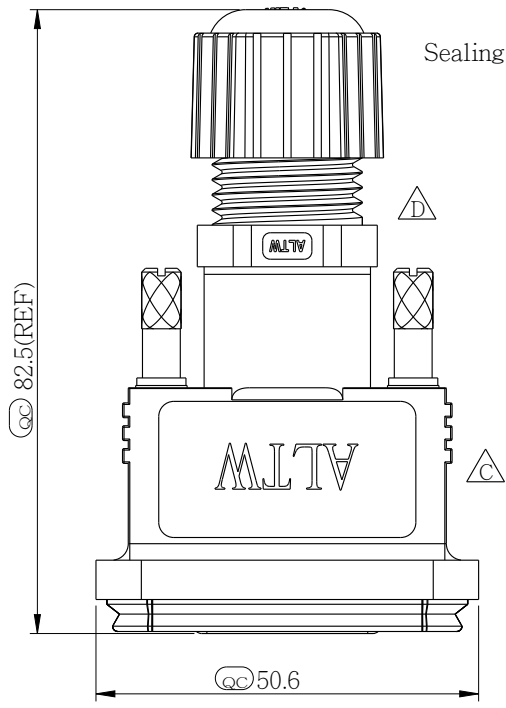


REV.	ECN NO.	DATE	SIGN	DESCRIPTION
C	LEN1520157	2015/01/27	Ruru	Change Logo
D	LEN1560200	2015/01/27	Ruru	Change Logo
E	LEN1770140	2017/07/07	Ouyang	Notes Content change



- Notes:
- * \varnothing Important Dimension To Check.
 - * Waterproof Rate: IP67
 - * Connector: D-SUB 15Pin Male E
 - * Seals for Cable OD: \varnothing 6.0mm~ \varnothing 10.0mm B
 - * One Set Unassembled in One PE Bag

UNIT:mm			TITLE
TOLERANCE .X ±0.25 .XX ±0.1 .XXX ±0.05 ANGLES ±1°			D-SUB Conn Assy Screw DB15Pin M Conn. M Pin
SCALE	1:1	SIZE	A4
REV.	E	WC-REV.	B.2
		SHEET	1 1 OF
			QC Inspection item

Amphenol LTW
安費諾亮泰企業股份有限公司

ITEM NO	SDB-15BMMA-SL7001	DRAWN BY	Ouyang	DATE	2017-07-07
DWG NO	SDB-15BMMA-SL7001	CHECKED BY	Ma fei	DATE	2017-07-07
CUSTOMER	ALTW	APPROVED BY	Jerry	DATE	2017-07-07

THIS DOCUMENT IS SUBJECT TO CHANGE WITHOUT NOTICE. IT IS CONFIDENTIAL AND A PROPERTY OF Amphenol LTW. DISCLOSURE TO THIRD PARTY HAS TO BE AUTHORIZED BY Amphenol LTW.