

RED INDICATES ORIGINAL

DASH NO	FIG NO	CABLES ACCOMMODATED	A DIM	B DIM	ASSEMBLE PER
-7	1.2	TRC-50-2	.096	1.846	TAI-189
-A7		TRC-75-2	\triangle	\triangle	TAI-189
-9		TWC-78-2	.096	1.846	TAI-102
-23		250-4816-009 MICRODOT			TAI-189
-29		TWC-78-1			TAI-102
-33		TWC-124-1A			TAI-189
-42		TRC-75-1			TAI-189
-47		21-204 ESSEX 4463 CONSOLIDATED M17/176-00002			TAI-189
					TAI-102

OWG SIZE B DATA CONTAINED IN THIS DOCUMENT IS PROPRIETARY TO TROMPETER ELECTRONICS INC. AND SHALL NOT BE DISCLOSED, COPIED OR USED FOR PROCUREMENT OR MANUFACTURE WITHOUT EXPRESS WRITTEN PERMISSION.

REV		ED	DESCRIPTION	OWN	APPROVED	DATE
AA	11957		DELETED THICKER CLAMP NUT P/N 8-1591 AND "BR" VERSION P/N 8-2203; ON SH 2 B/M; DELETED NOTE [2]; NOTE [3] BECOMES NOTE [2]; RENUMBERED ITEM NUMBERS; SEE ECO	DKC	<i>Bur</i>	3/17/97

INCH	MM
.005	0.13
.030	0.76
.096	2.44
.374	9.50
.437	11.10
.505	12.83
.543	13.79
.575	14.61
1.337	33.96
1.846	46.89

FIG 1
-7 SHOWN

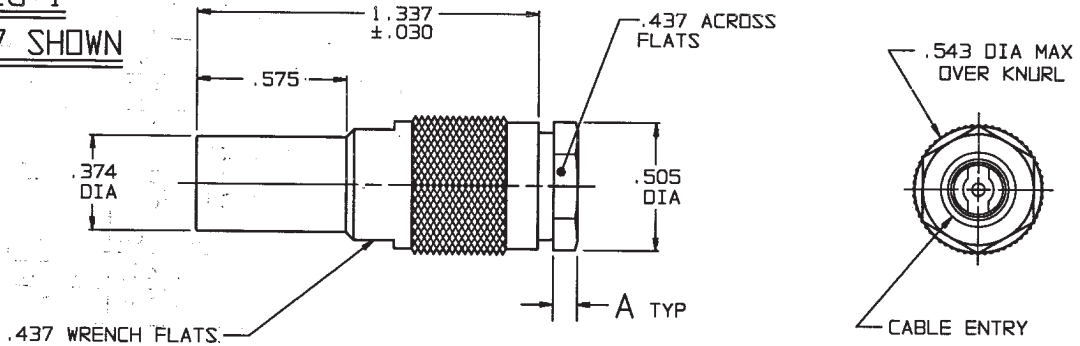
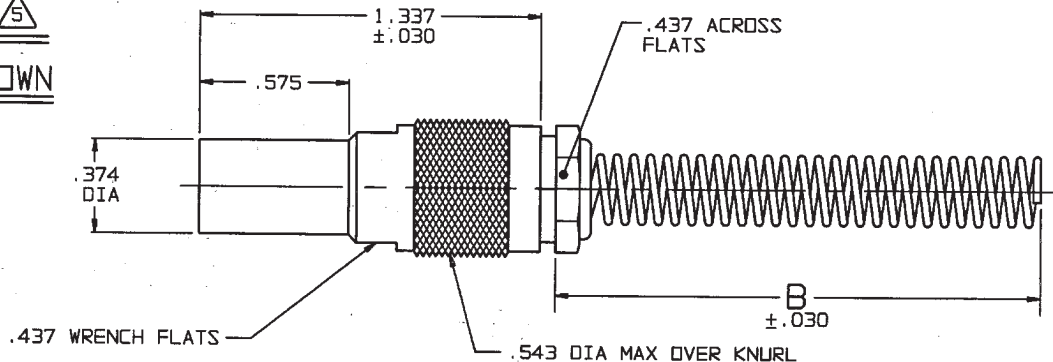


FIG 2
-7 SHOWN



\triangle IF BEND RELIEF SPRING REQD (FIG 2) ADD SUFFIX "BR" TO MODEL NO

4. CONCENTRIC TWINAXIAL/TRIAXIAL PATCH PLUG

\triangle CLAMP NUT OMITTED ON -A7 ONLY

2. FINISH: TFS-1A (NICKEL)

1. ALL DIM ARE IN INCHES

QTY	DESCRIPTION	PART NUMBER	ITEM
	TOL UNLESS SPECIFIED .xx ± .xxx ± .005 .xxxx ± ANGLES ±	TROMPETER RF connectivity <small>a cinch connectivity solutions brand</small>	PL71/BR
DWN	DKC	1-3-97	MATERIAL
CHK	<i>Bur</i>	3-17-97	CODE IDENT
ENGR			14949
NEXT ASSY	APPR	<i>Bur</i>	3/17/97
		SCALE 2/1	DATE 1-12-66
			SHEET 1 OF 2

210-0003	CHK	DKC	1-3-97
1-0319	ENGR		
	APPR	<i>Bur</i>	3/17/97

DRAWING NO.	REV
310-0001	AA