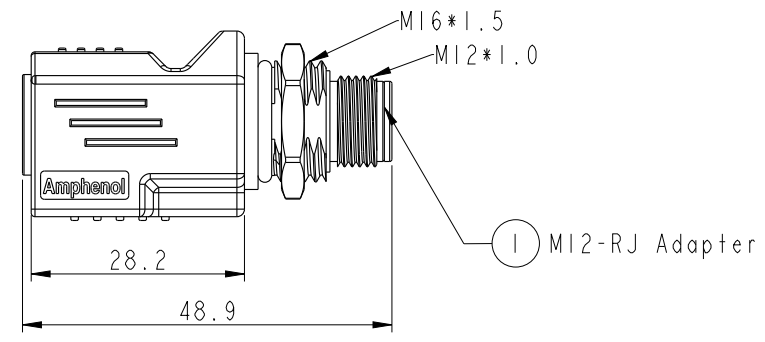
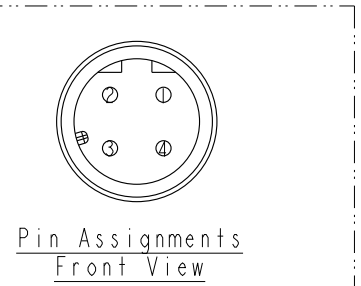
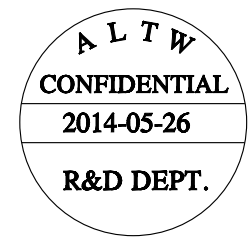
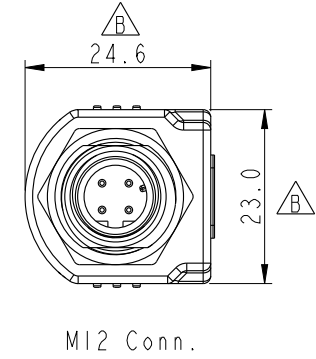
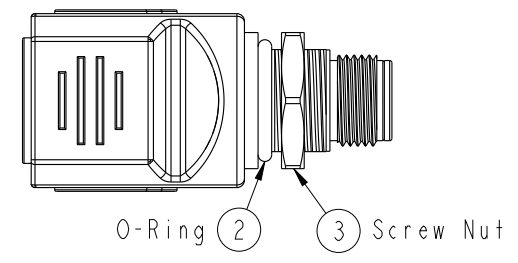
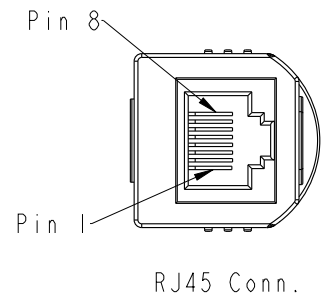
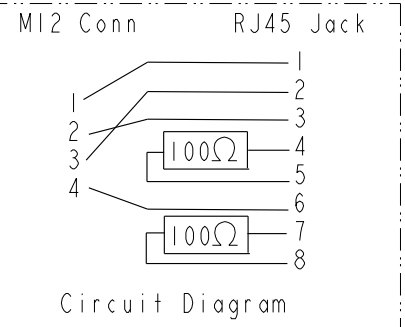
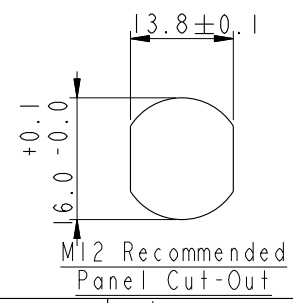


THIS DOCUMENT IS SUBJECT TO CHANGE WITHOUT NOTICE. IT IS CONFIDENTIAL AND A PROPERTY OF AMPHENOL LTW. DISCLOSURE TO THIRD PARTY HAS TO BE AUTHORIZED BY AMPHENOL LTW.

REV.	ECN NO.	DATE	SIGN	DESCRIPTION
A		2013-02-06	Lu Di	Change Rev.01 To Rev.A
B	LE31350018	2013-04-22	Lu Di	Update The Dimensions
C	LE31460011	2014-05-26	Tony_leng	Change O-Ring



- Note:
- * (1) Important Dimension
 - * Waterproof Rate: IP65(MOLDING)
 - * Waterproof Rate: IP68(M12)
(Under Water 1M 24 hours)
 - * Pin: Copper Alloy, Gold Plated
 - * Nut: Zinc Alloy, Nickel Plated
 - * Shield: Copper Alloy, Nickel Plated
 - * O-Ring: Silicone, UL94V-0, Gray.
 - * Jack: PBT, Black.
 - * Housing: Nylon+GF, Black.
 - * Panel Thickness Max: 5.0mm



UNIT:mm

TOLERANCE $\pm 0.5\text{mm}$

TITLE ADAPTOR, SHIELDED M12 D CODE TO RJ45			
SCALE 1:1	SIZE A4	SHEET 1 OF 2	
REV. C	WC-REV. B.2	QC: Inspection item	

Amphenol LTW
安費諾亮泰企業股份有限公司

ITEM NO RJS-12D04FM-LS8001	DRAWN BY Tony_leng	DATE 2014-05-26
DWG NO RJS-12D04FM-LS8001	CHECKED BY Jimmy	DATE 2014-05-26
CUSTOMER ALTW	APPROVED BY Jo-anne	DATE 2014-05-26

THIS DOCUMENT IS SUBJECT TO CHANGE WITHOUT NOTICE. IT IS CONFIDENTIAL AND A PROPERTY OF Amphenol LTW. DISCLOSURE TO THIRD PARTY HAS TO BE AUTHORIZED BY Amphenol LTW.

1 2 3 4 5 6 7 8

F

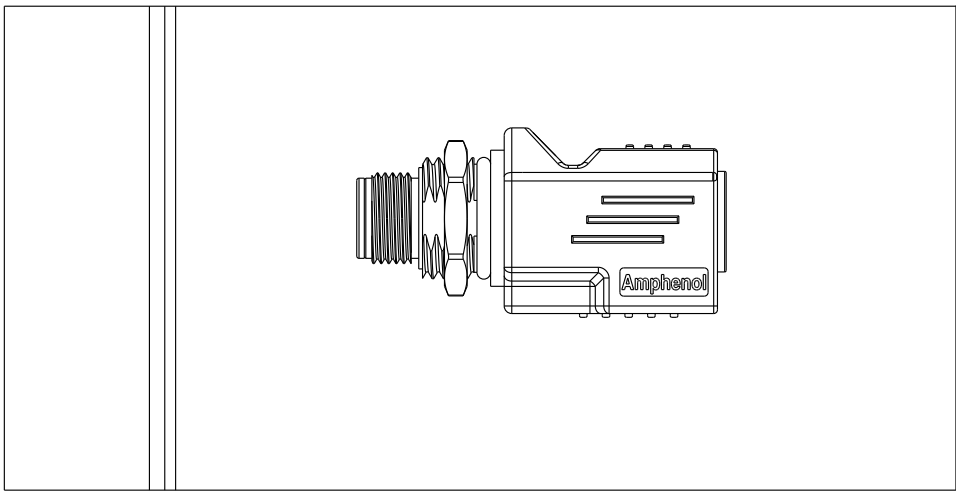
E

D

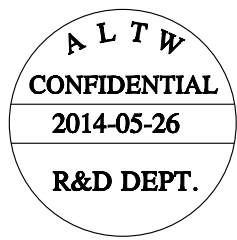
C

B

A

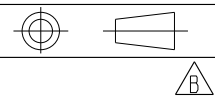


4 Zipper Bag



* 1 Product With 1 Zipper Bag

UNIT:mm
TOLERANCE
±0.5mm



TITLE ADAPTOR, SHIELDED M12 D CODE TO RJ45			
SCALE 1:1	SIZE A4	SHEET 2 OF 2	
REV. C	WC-REV. B.2	QC: Inspection item	

Amphenol LTW
安費諾亮泰企業股份有限公司

ITEM NO RJS-12D04FM-LS8001	DRAWN BY Tony_leng	DATE 2014-05-26
DWG NO RJS-12D04FM-LS8001	CHECKED BY Jimmy	DATE 2014-05-26
CUSTOMER ALTW	APPROVED BY Jo-anne	DATE 2014-05-26

DATE 2014-05-26
DATE 2014-05-26
DATE 2014-05-26

DATE 2014-05-26
DATE 2014-05-26
DATE 2014-05-26

1 2 3 4 5 6 7 8 FMW10702-01-02A1