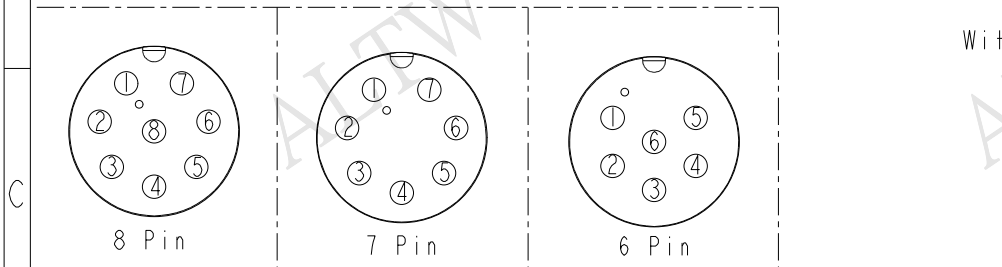
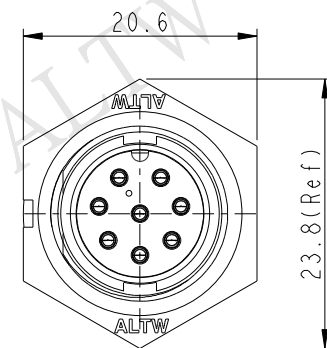
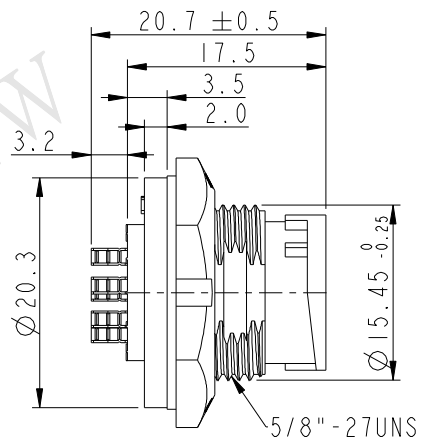
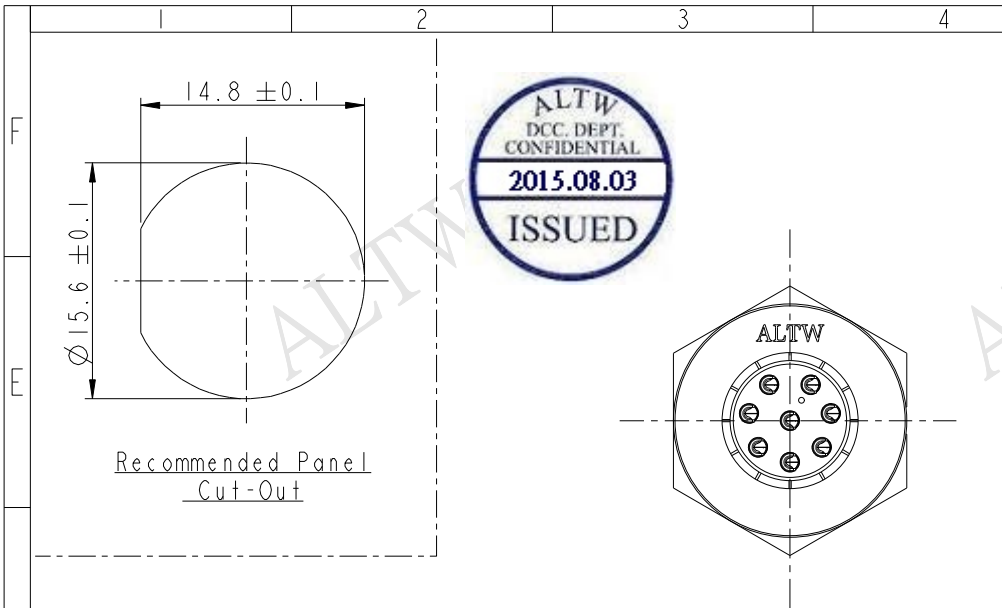
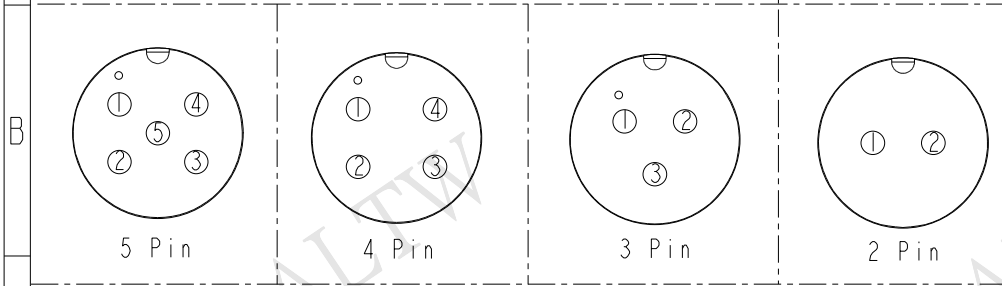


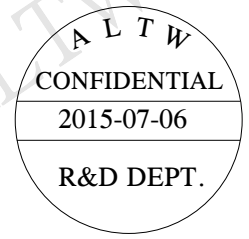
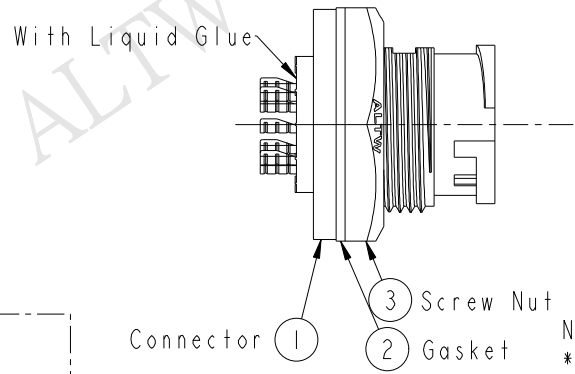
REV.	ECN NO.	DATE	SIGN	DESCRIPTION



Pin Assignments Front View



Pin Assignments Front View



- Note:
- \* (CC) Important Dimension To Check.
  - \* Waterproof Rate: IP67
  - \* Housing: Nylon+GF, Black
  - \* Male Pin: Copper Alloy, Gold Plated.
  - \* Screw Nut: Nylon+GF, Black
  - \* Gasket: Silicone, Gray
  - \* Use with waterproof cap or dust cap  
Maximum Panel Thickness: 2.8mm
  - \* Use without waterproof cap or dust cap  
Maximum Panel Thickness: 4.0mm

UNIT: mm		TITLE			
		STANDARD			
		PANEL LOCK M CONN M PIN			
TOLERANCE		SCALE	SIZE	SHEET	OF
.X	±0.25	3:2	A4	1	1
.XX	±0.1	REV.	WC-REV.	Inspection item	
.XXX	±0.05	A	A.1		
ANGLES	±1°				

**Amphenol LTW**  
安費諾亮泰企業股份有限公司

ITEM NO.	DRAWN BY	DATE
	Jinhai	2015-07-06
DWG NO.	CHECKED BY	DATE
ABD-XXPMMS-LC7001	Rensong	2015-07-06
CUSTOMER	APPROVED BY	DATE
ALTW	Jerry	2015-07-06

THIS DOCUMENT IS SUBJECT TO CHANGE WITHOUT NOTICE. IT IS CONFIDENTIAL AND A PROPERTY OF Amphenol LTW. DISCLOSURE TO THIRD PARTY HAS TO BE AUTHORIZED BY Amphenol LTW.