

PART NUMBER	REV	FIRST USED	TERMINATOR	FEED TYPE	DESCRIPTION
1426437-1	C	-	LEADMAKER	MECH POST FEED	CUTS CARRIER
1426437-2	C	-	BENCH	MECH PRE FEED	CUTS CARRIER
1426437-6	C	-	LEADMAKER	MECH POST FEED	CONTINUOUS CARRIER
7-1426437-1	C	-	LEADMAKER	MECH POST FEED	-1 AND SPARE PARTS
7-1426437-2	C	-	BENCH	MECH PRE FEED	-2 AND SPARE PARTS
7-1426437-6	C	-	LEADMAKER	MECH POST FEED	-6 AND SPARE PARTS
7-1426437-7	A	-	-	-	SPARE PARTS KIT

CRIMP DATA MOLEX TERMINAL MOLEX CRIMP SPECS
 TERMINAL NAME: TERMINAL, MALE, CRIMP.

CRIMP	SIZE	TYPE	RANGE
WIRE	0.97 [.038 IN]	F	28 - 26 AWG
INSUL	1.57 [.062 IN]	F	0.80-1.52 [.031-.060 IN] 5
WIRE STRIP LENGTH	3.00-3.50 [.118-.138 IN]		APPL INSTRUCTION 408-8322

TERMINAL APPL SPEC MOLEX CS-70021 FEED 5.08 [.200 IN]

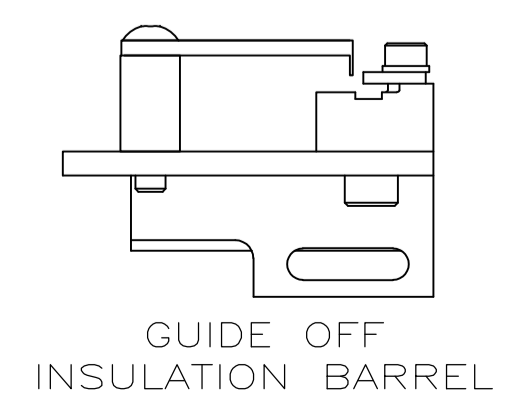
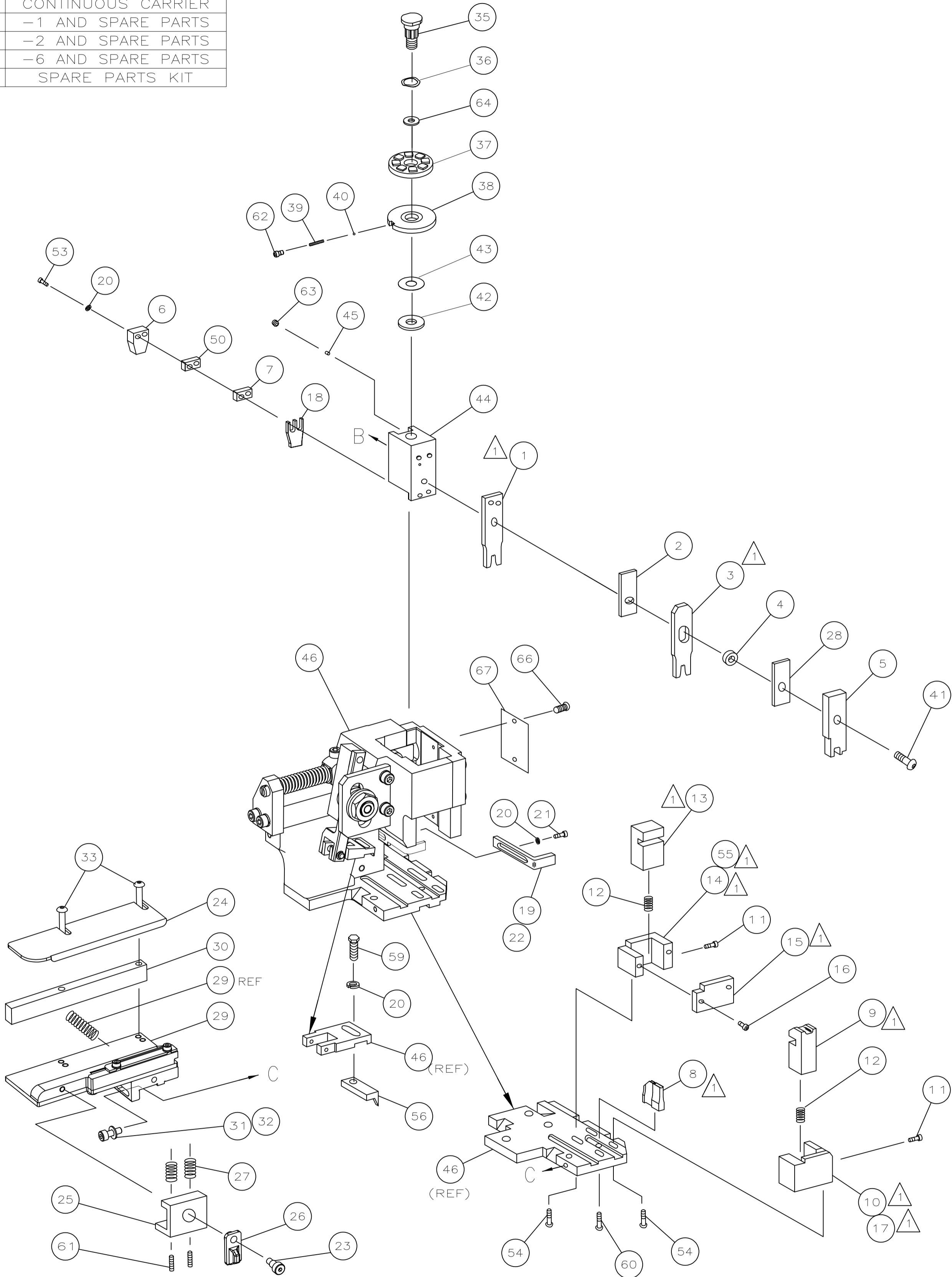
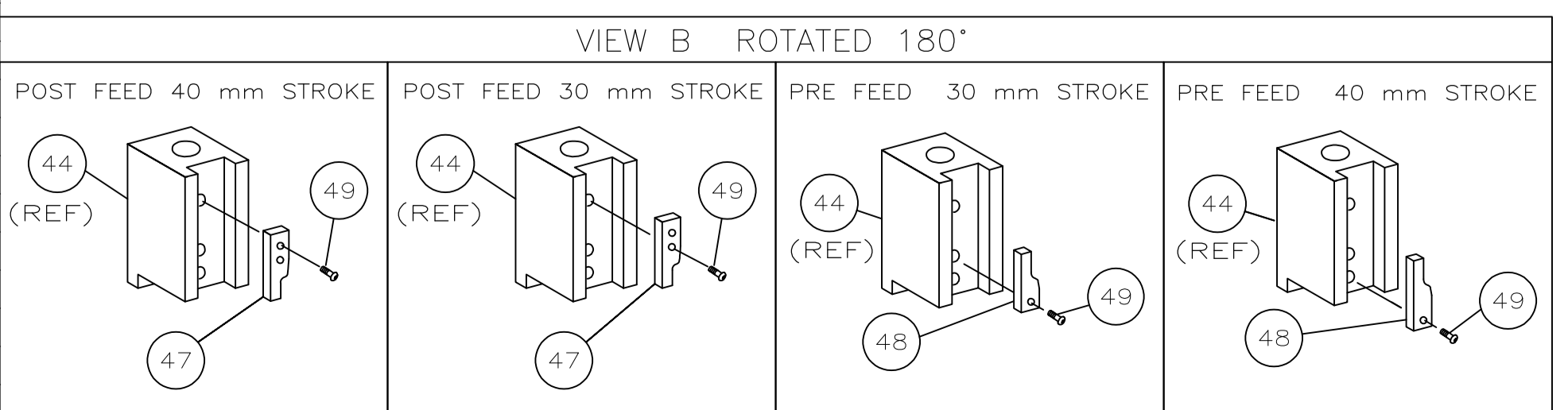
TERMINALS APPLIED

AMP TERM PN	MFR TERM PN			
1572271-1	16-02-0105	-	-	-
1572271-2	16-02-0078	-	-	-
1572271-3	16-02-0077	-	-	-

WIRE SIZE mm ² AWG	CRIMP HEIGHT	PIN PN AND LENGTH [IN]
24 AWG	0.83 ±0.03 [.033 ±.001 IN]	4-354779-9 [.3290]
26 AWG	0.77 ±0.03 [.030 ±.001 IN]	5-354779-4 [.3260]
28 AWG	0.74 ±0.03 [.029 ±.001 IN]	5-354779-6 [.3270]

SET UP GAGE 458637-3 LAYOUT L1426437

- 1. RECOMMENDED SPARE PARTS.
- 2. GREASE RAM, CAM, CAM FOLLOWER AND FEED ROD LIGHTLY.
- 3. LUBRICATE DAILY PER THE APPLICATOR INSTRUCTION SHEET SUPPLIED WITH THE APPLICATOR.
- 4. MOLEX CRIMP HEIGHT DATA SUPPLIED, TYCO CALCULATED CRIMP WIDTHS.
- 5. INSULATION RANGE QUOTED IS RANGE OF TERMINAL.



QTY	REQD	PER	ASSY	PART NO	DESCRIPTION	ITEM NO	
-	1	1	1	1	1426437	PRINT, APPLICATOR LOG SHEET	73
-	1	1	1	1	1338705-1	DOCUMENTATION PACKAGE	71
-	1	1	1	1			70
-	1	1	1	1			69
-	1	1	1	1	461264-1	PLATE, IDENTIFICATION	68
-	2	2	2	2	21017-2	SCR,DRIVE(#2x.19)ID PLATE	67
-	1	1	1	1			66
-	1	1	1	1	986950-1	WASHER, FLAT PRECISION	65
-	1	1	1	1	3-18031-0	SCR,SKT_SET(M6X6)RAM	64
-	1	1	1	1	18023-9	SCR,SHC(M4X6)INS DISC	63
-	2	2	2	2	2-18032-5	SCR,SET(M5X20)DRAG	62
-	1	1	1	1	18024-7	SCR,BHC(M4X10)ANVIL	61
-	1	1	1	1	5-18022-2	SCR,HEX(M4X8)FEED FINGER	60
-	1	1	1	1			59
-	1	1	1	1			58
-	1	1	1	1			57
-	1	1	1	1	1338685-1	PAWL, FEED	56
-	1	-	-	-	1338723-1	HOLDER,SHEAR, REAR (NO CUT)	55
-	4	4	4	4	18024-8	SCR,BHC(M4x12)SHEAR HOLDER	54
-	2	2	2	2	4-18024-7	SCR,BHC(M4x25)TERM HLD DWN	53
-	1	1	1	1			52
-	1	1	1	1			51
-	1	1	1	1	240641-6	SPACER, DEPRESSOR (REAR)	50
-	1	1	1	1	18024-3	SCR,BHC(M3X10)CAM	49
-	-	1	-	-	1338675-1	CAM, PRE FEED 30 & 40 mm ST	48
-	1	-	1	-	1338676-1	CAM, POST FEED 30 & 40 mm ST	47
-	1	1	1	1	1320999-3	APPLICATOR BASIC SUBASSY	46
-	1	1	1	1	690191-1	PLUG, NYLON	45
-	1	1	1	1	1338660-3	RAM	44
-	1	1	1	1	690125-1	WASHER, LAMINATED	43
-	1	1	1	1	690124-1	WASHER, RAM	42
-	1	1	1	1	2-18024-6	SCR,BHC(M8X25)RAM	41
-	1	1	1	1	23241-1	BALL, STEEL	40
-	1	1	1	1	2-22278-7	SPRING, COMPRESSION	39
-	1	1	1	1	1320922-1	DISC, INSULATION	38
-	1	1	1	1	354777-1	WIRE DISC, PLASTIC	37
-	1	1	1	1	22480-5	WASHER, SPRING	36
-	1	1	1	1	690212-1	POST, RAM	35
-	1	1	1	1			34
-	2	2	2	2	1-18024-0	SCR,BHC(M4X20)STRIP GUIDE	33
-	1	1	1	1	18027-2	WASHER, FLAT(M4)	32
-	1	1	1	1	1-18023-2	SCR,SKT_CAP(M4X12)MOUNT BLOCK	31
-	1	1	1	1	1320908-9	SPACER, STRIP GUIDE	30
-	1	1	1	1	1633073-1	STRIP GUIDE PLATE ASSY	29
-	1	1	1	1	1-455888-0	SPACER, FRONT SHEAR DEP	28
-	2	2	2	2	1-22284-0	SPRING, DRAG	27
-	1	1	1	1	356835-1	LEVER, DRAG RELEASE	26
-	1	1	1	1	240792-1	DRAG, TERMINAL	25
-	1	1	1	1	1320928-1	PLATE, STRIP GUIDE	24
-	1	1	1	1	980371-4	SCR,SHC SHLD	23
-	1	-	1	-	690472-2	STRIPPER	22
-	1	1	1	1	1-18023-1	SCR,SHC(M4X10)STRIPPER	21
-	2	2	2	2	18025-2	WASHER,LOCK(M4)STRIPPER	20
-	-	1	-	-	690472-1	STRIPPER	19
-	1	1	1	1	690518-2	HOLDER, TERMINAL	18
-	1	-	-	-	1338684-1	HOLDER, SHEAR, FRONT (NO-CUT)	17
-	2	2	2	2	18023-2	SCR,SHC(M3X6)REAR SHEAR PL	16
-	1	1	1	1	1-690464-6	PLATE, SHEAR (REAR)	15
-	-	1	-	-	1320920-1	HOLDER, SHEAR, REAR (CUT)	14
-	1	1	1	1	690463-1	SHEAR, FLOAT (REAR)	13
-	2	2	2	2	3-22280-3	SPRING, SHEAR	12
-	2	2	2	2	356885-4	STOP, SHEAR	11
-	-	1	-	-	1320921-1	HOLDER, SHEAR, FRONT (CUT)	10
-	1	1	1	1	462006-2	SHEAR, FLOAT (FRONT)	9
1	2	2	2	1	2-1333200-6	ANVIL	8
-	1	1	1	1	6-240641-1	SPACER, DEPRESSOR (REAR)	7
-	1	1	1	1	690468-1	DEPRESSOR, SHEAR (REAR)	6
-	1	1	1	1	2-455889-0	DEPRESSOR, SHEAR (FRONT)	5
-	1	1	1	1	238011-7	SPACER, BLOCK CRIMPER	4
1	2	2	2	1	5-683453-9	CRIMPER, INSULATION	3
-	1	1	1	1	455888-3	SPACER, CRIMPER	2
1	2	2	2	1	3-1490019-8	CRIMPER, WIRE	1

THIS DRAWING IS A CONTROLLED DOCUMENT. DWG: L1426437-03

TYCO ELECTRONICS Corporation
 Harrisburg, PA 17105-3608

APVD: E BACKHURST
 NAME: E BACKHURST

SIDE FEED HD-1 APPLICATOR

SIZE: A1 CAGE CODE: 00779 DRAWING NO: 1426437

CUSTOMER DRAWING SCALE: 1 OF 1 REV: C