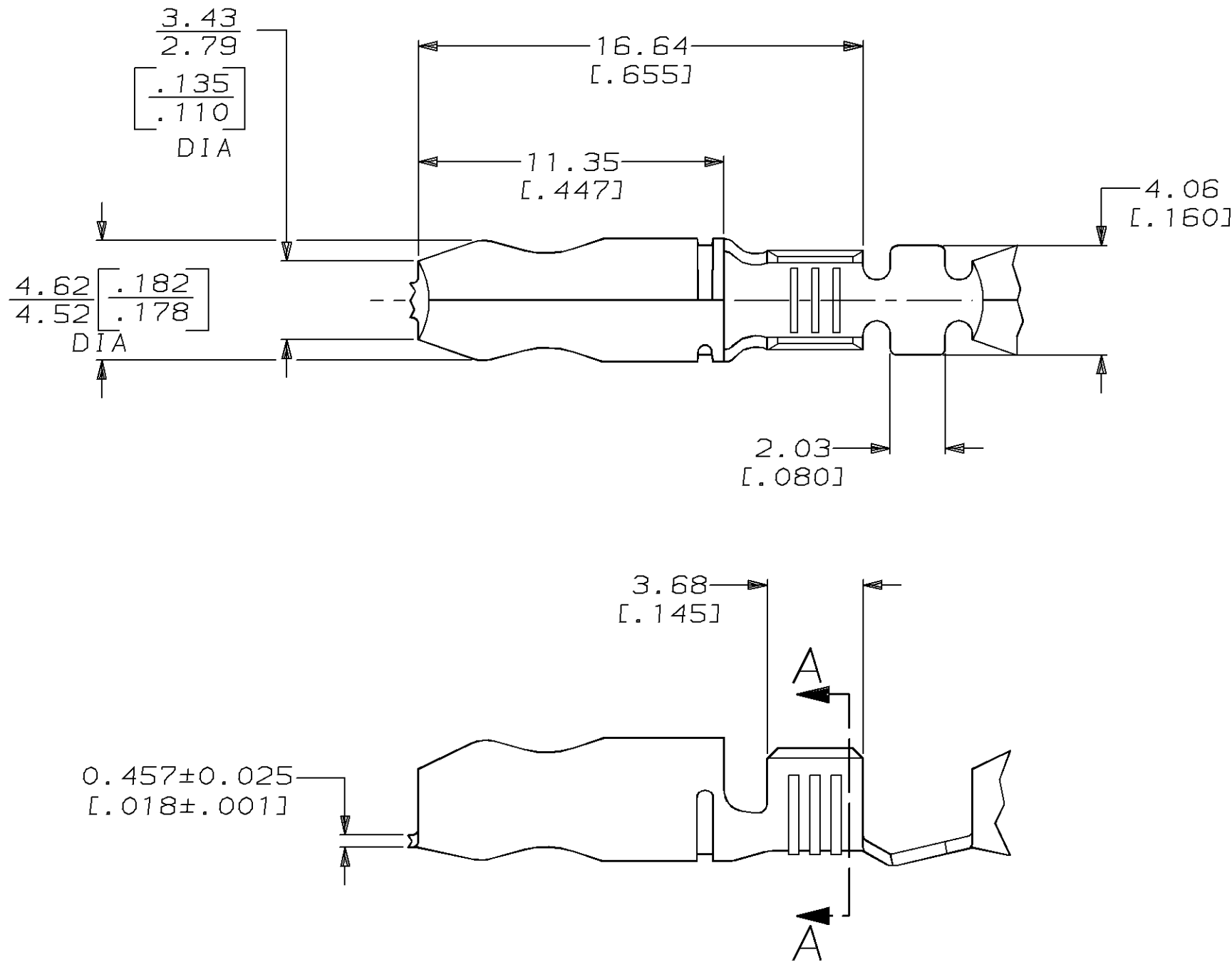
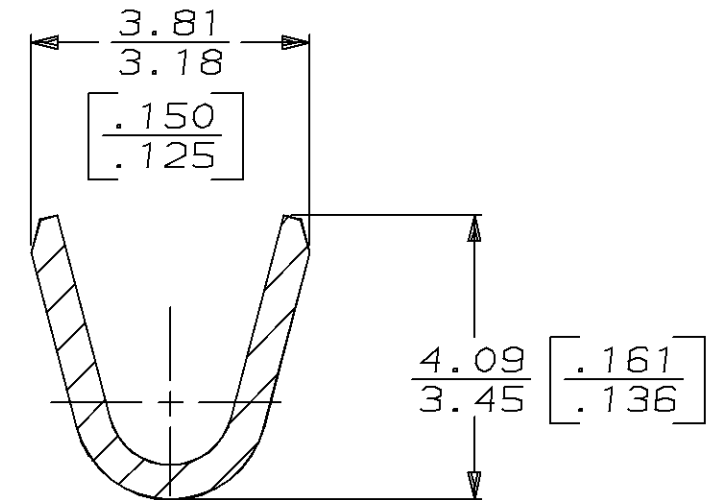


LOC	DIST	P	F	REVISIONS				
				ZONE	LTR	DESCRIPTION	DATE	APPD
AF	50				A	REVISE & RELEASE PER 0710-0212-95	22/MAY/95	PF/GY



1 CONTINUOUS STRIP ON REEL.



SECTION A-A
SCALE 10:1

[18-14] AWG 63830-1

WIRE RANGE PART NO

DO NOT SCALE PRINT.
UNLESS SPECIFIED
DIMENSIONS IN mm [INCHES]
TOLERANCES ON:
2 PLC DEC ± 0.25 [.010]
3 PLC DEC ± -
ANGLES ± -

MATERIAL
081 BRASS

FINISH
0.003302 [.000130]
MAX PRE-TIN PL
PER MIL-T-10727

DR 01/MAR/95
PHILLIP M. FORTNEY
CHK 01/MAR/95
JEFF R. RUTH
APPD 01/MAR/95
GARY YETTER
APPD 01/MAR/95
MARK BARNABA
PRODUCT SPEC
-

APPLICATION SPEC
-
WEIGHT -

AMP AMP Incorporated
Harrisburg, PA 17105-3608

NAME
SHUR PLUG, 4.57 [.180] DIA

SIZE CAGE CODE DRAWING NO
B 00779 C-63830

SCALE SHEET
5:1 1 OF 1

THIS DRAWING IS A CONTROLLED DOCUMENT FOR
AMP INCORPORATED. IT IS SUBJECT TO CHANGE
AND THE CONTROLLING ENGINEERING ORGANIZATION
SHOULD BE CONTACTED FOR THE LATEST REVISION.