

Aug.1.2018 Copyright 2018 HIROSE ELECTRIC CO., LTD. All Rights Reserved.  
 In case that the application demands a high level of reliability, such as automotive,  
 please contact a company representative for further information.

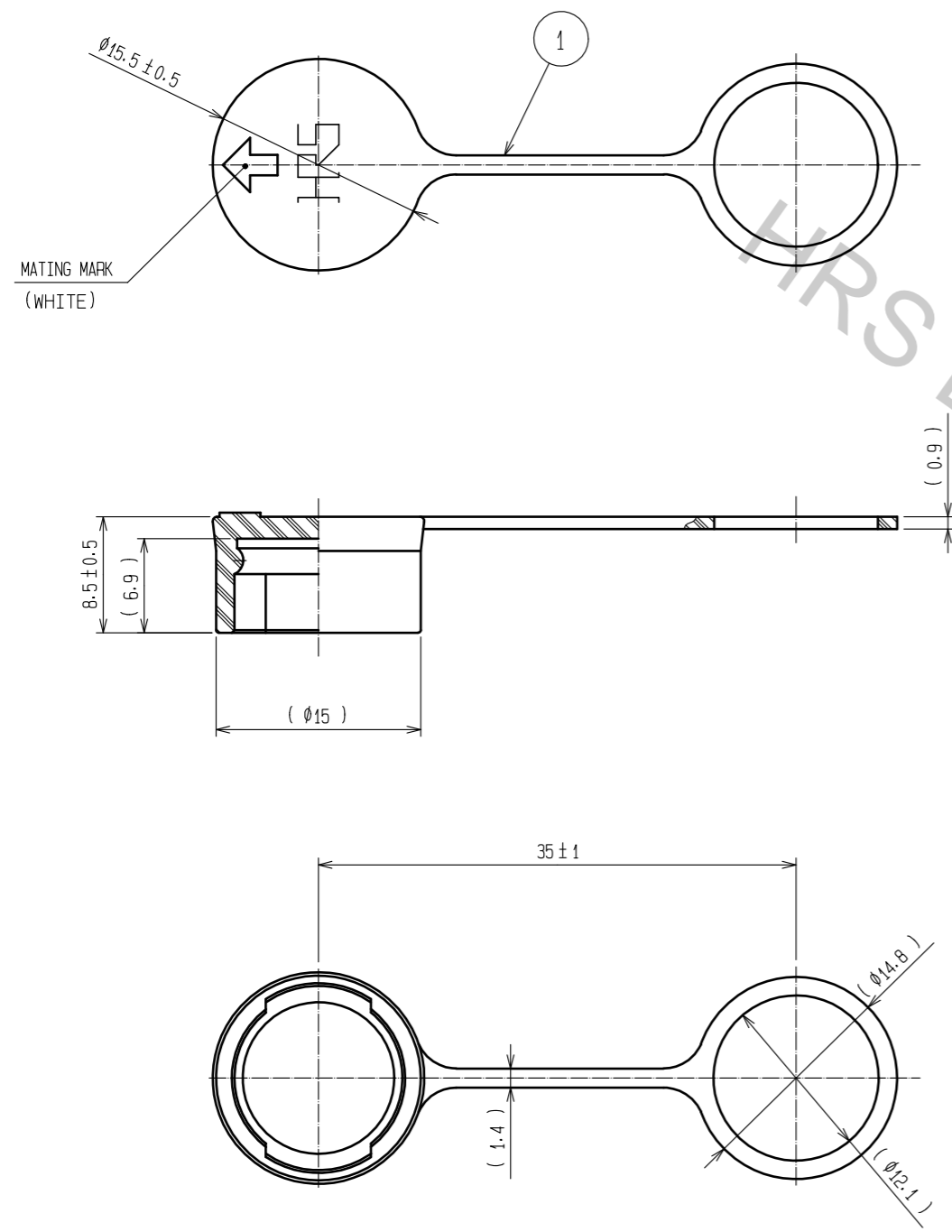
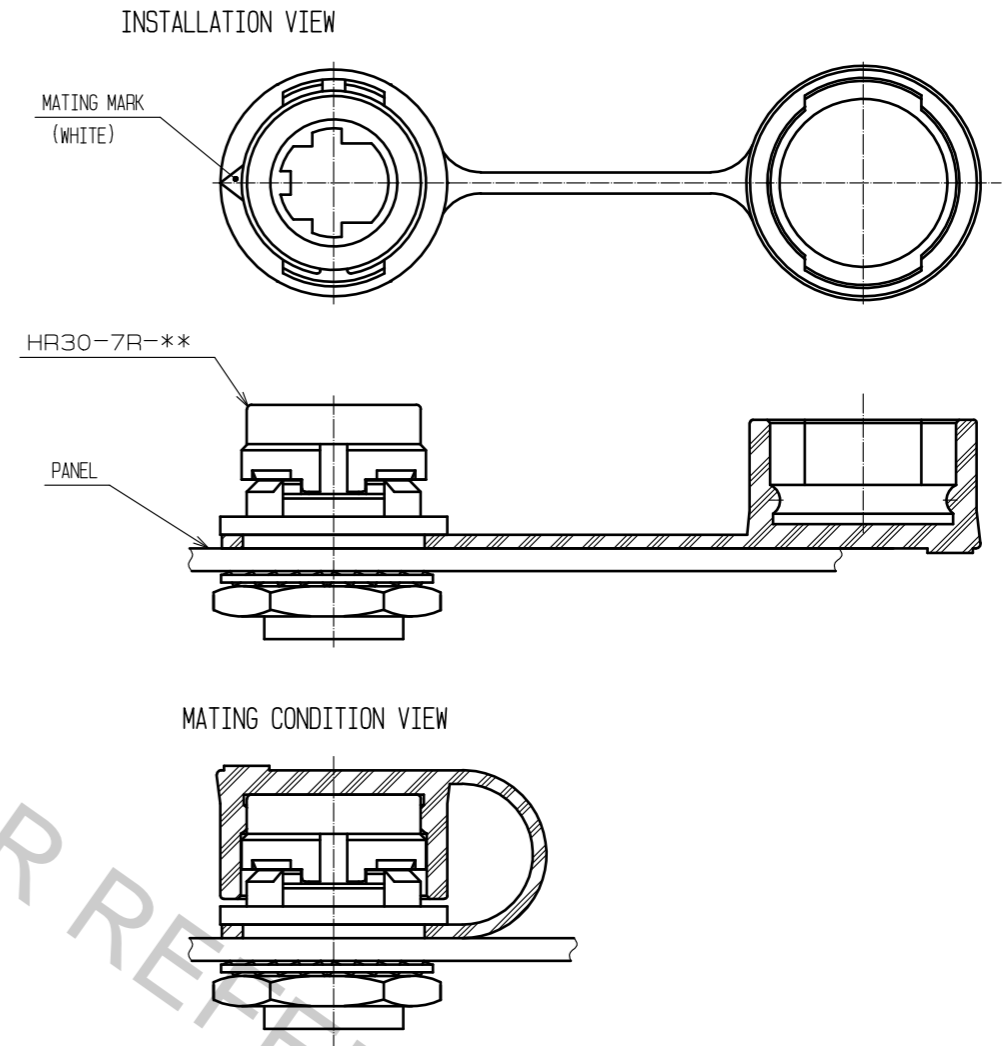


DIAGRAM AFTER ASSEMBLING



- NOTES 1 THIS PART TO BE USED AS ASSEMBLED COMPONENT IN THE DIAGRAM AFTER ASSEMBLING.  
 2 THIS PRODUCT IS A CAP FOR HR30-7R-\*(\*) OR HR30-8R-\*(\*).  
 IT IS APPLICABLE REGARDLESS OF GIVEN ALPHABETS OR NUMBERS SHOWN AT \*.

1	CHLOROPRENE RUBBER	BLACK					
NO.	MATERIAL	FINISH . REMARKS	NO.	MATERIAL	FINISH . REMARKS		
UNITS		SCALE		DESCRIPTION OF REVISIONS		DESIGNED	CHECKED
mm		2 : 1					
<b>HRS</b> HIROSE ELECTRIC CO., LTD.		APPROVED	·HY. KOBAYASHI	18.02.26	DRAWING NO.	EDC-112571-31-00	
		CHECKED	·HY. KOBAYASHI	18.02.26	PART NO.	HR30-7R-C(31)	
		DESIGNED	·DS. MATSUNE	18.02.24	CODE NO.	CL130-3002-2-31	
		DRAWN	·AI. NISHIYAMA	18.02.22			