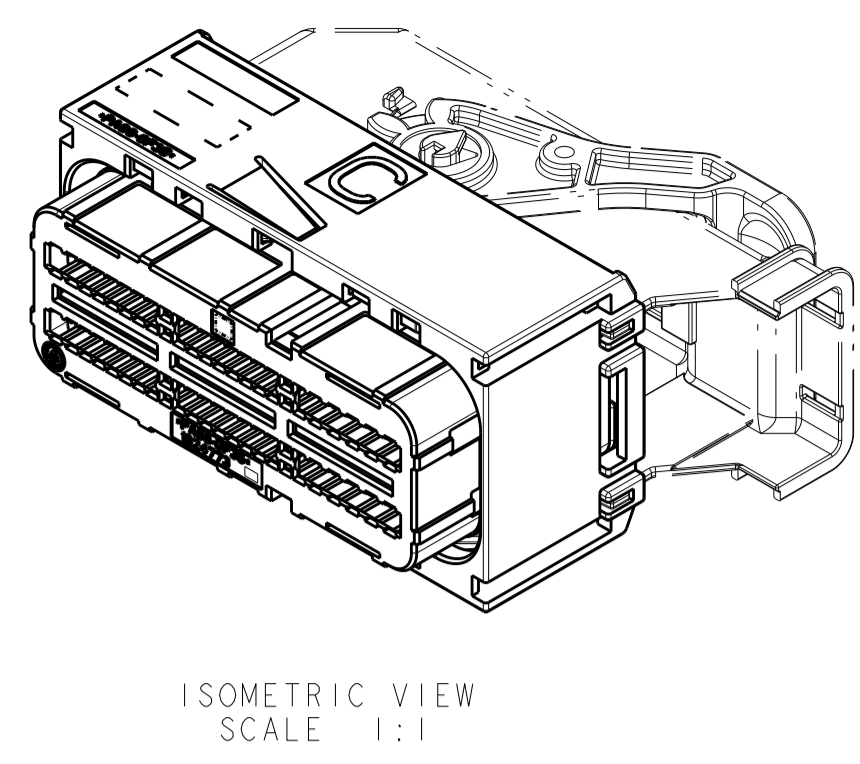
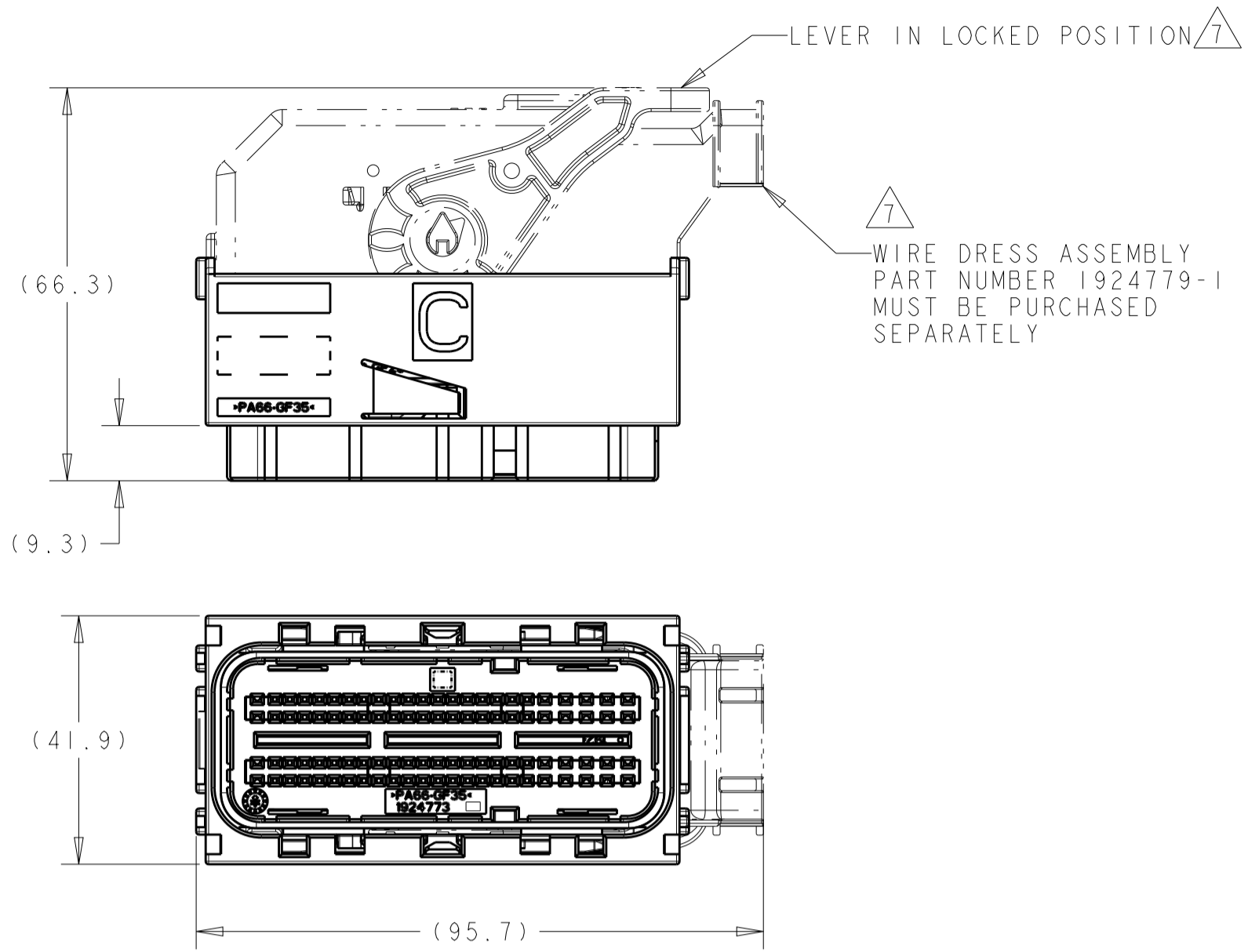
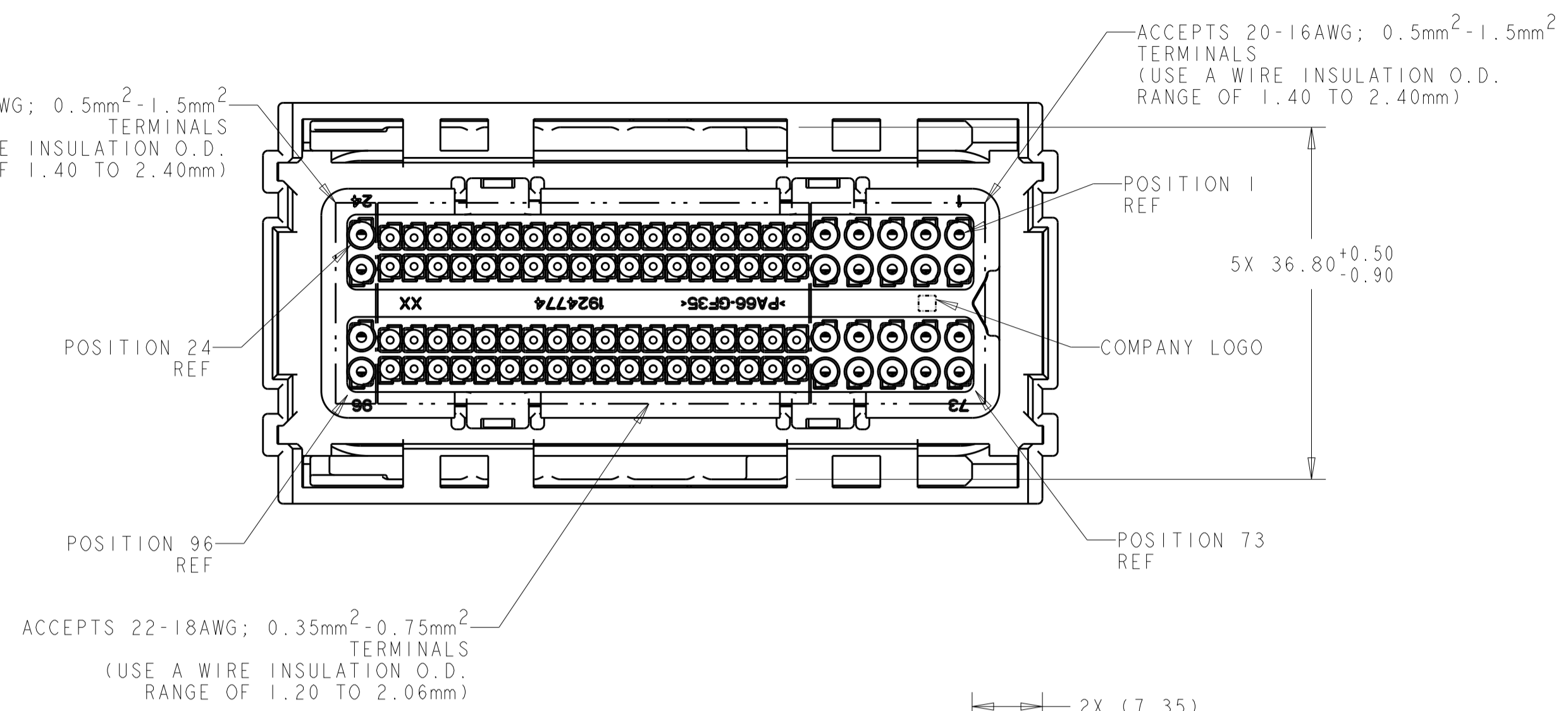


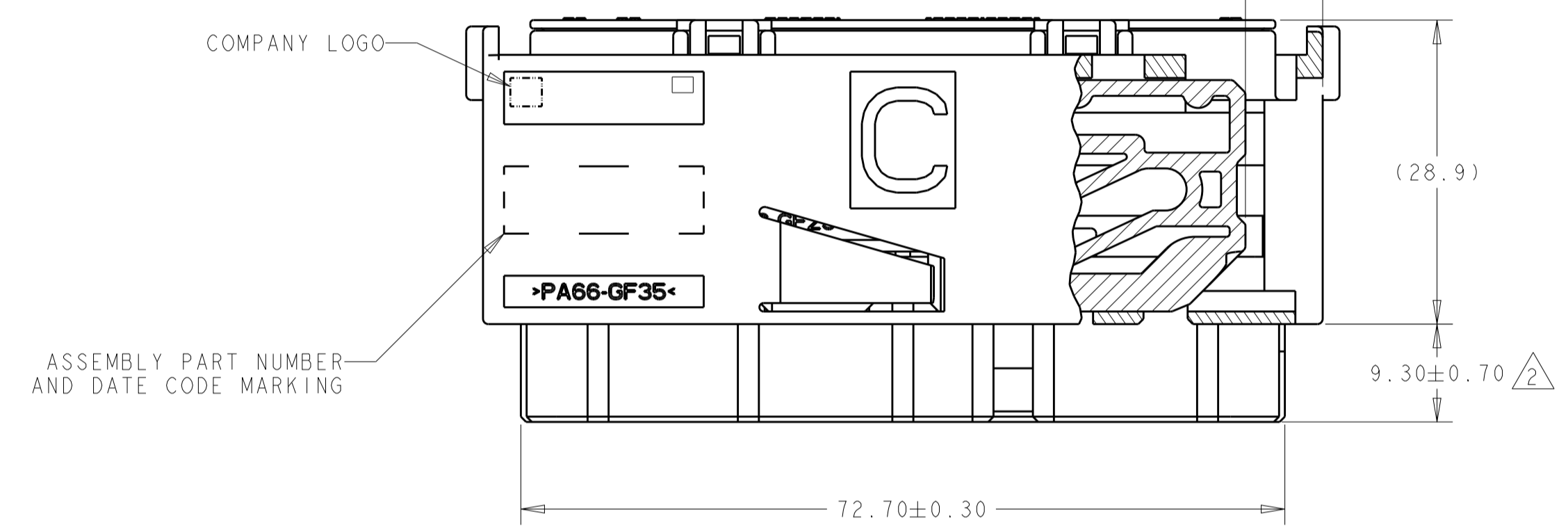
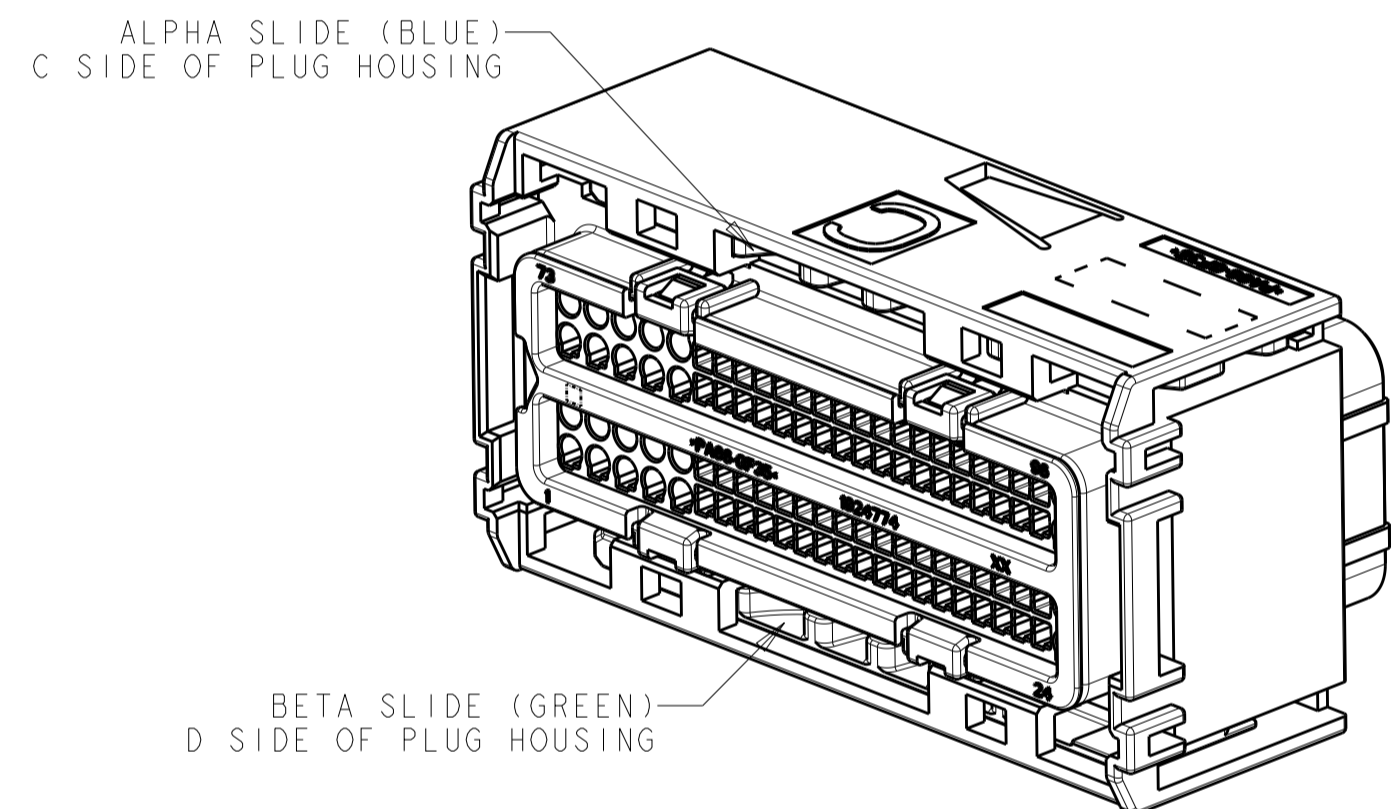
REVISIONS				
P.	LTN	DESCRIPTION	DATE	APPV
C4		REVISED PER ECO-16-016448	16NOV2016	DD GK
C5		REVISED PER ECO-17-004597	31MAR2017	DD GK



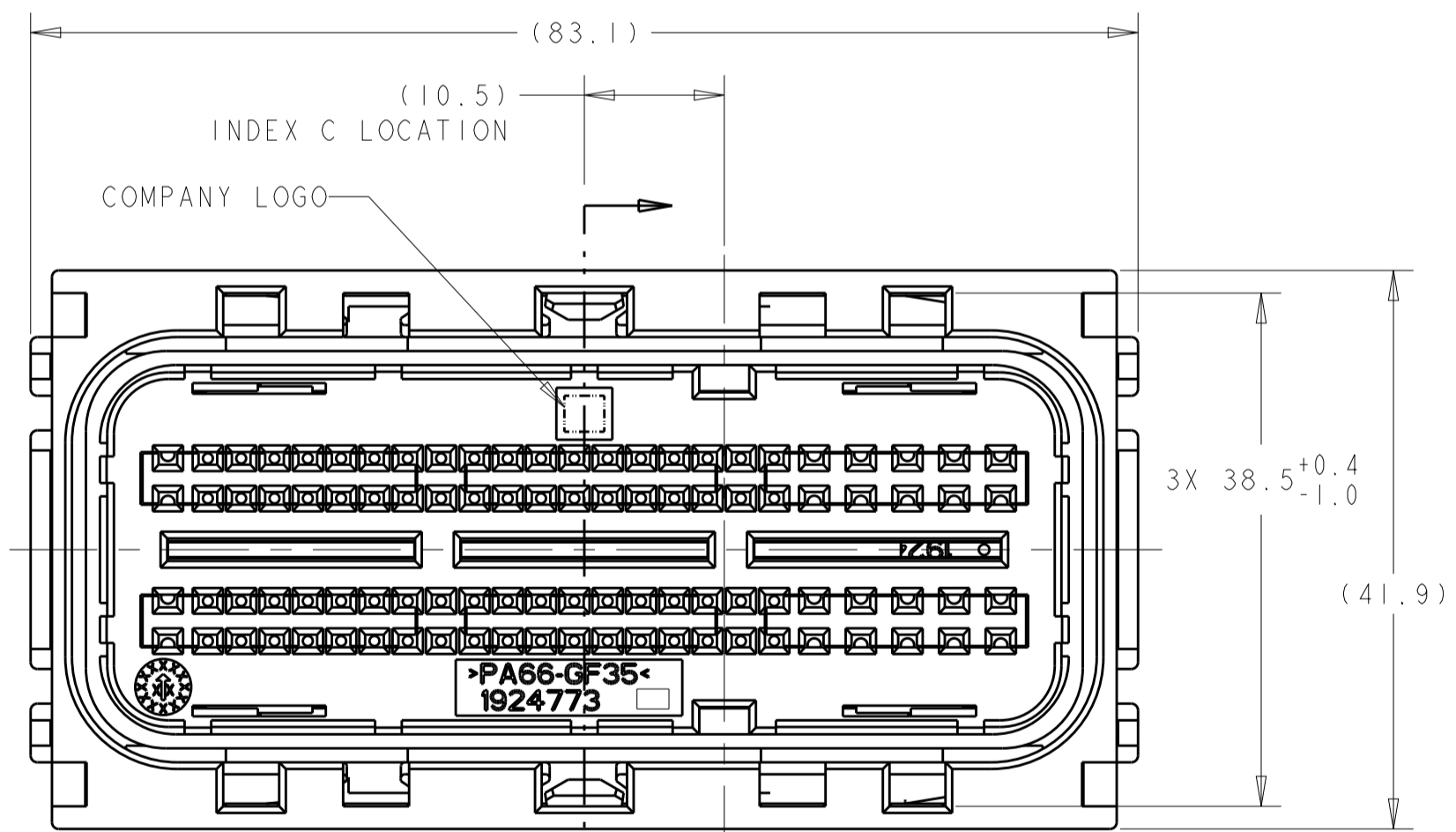
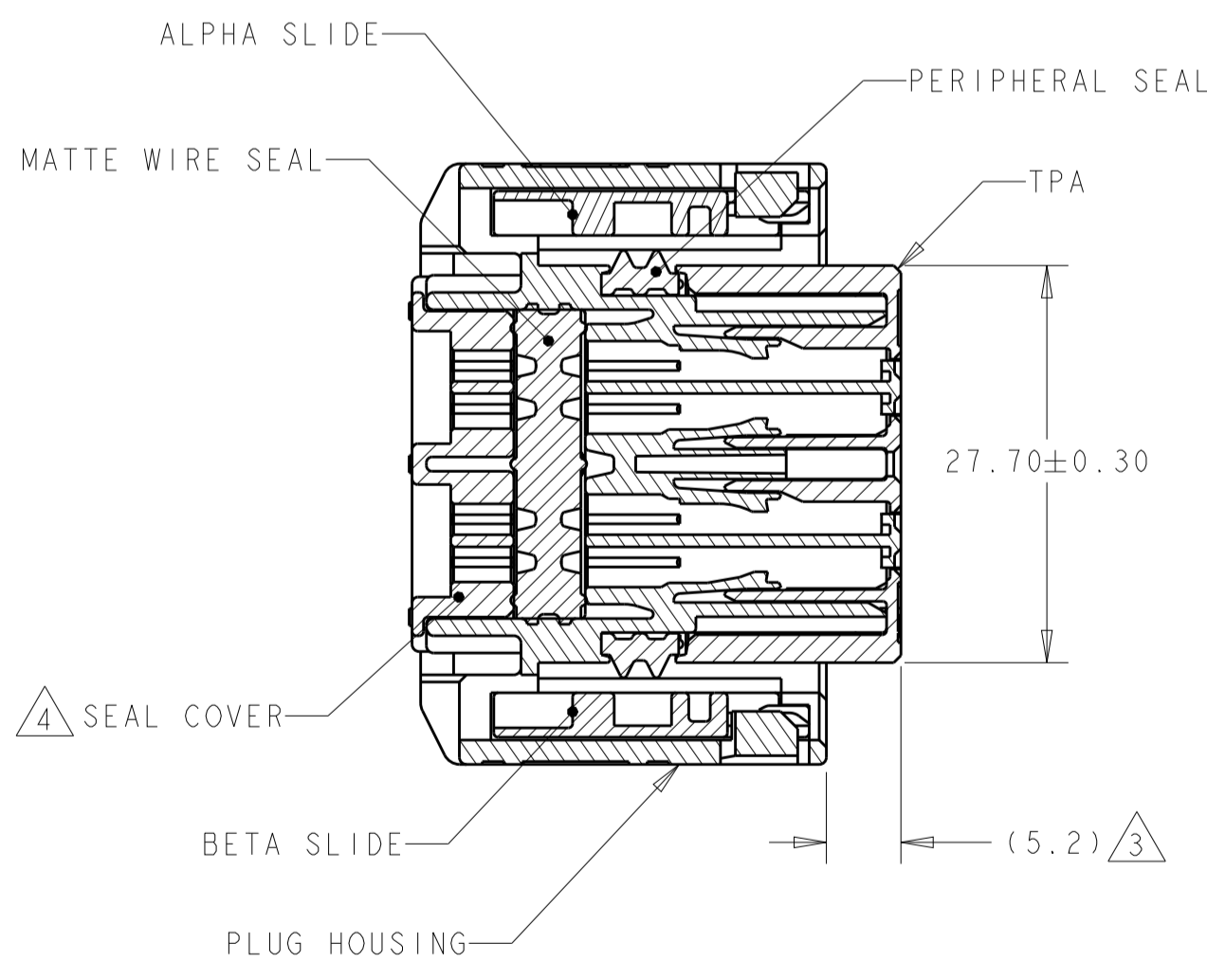
ACCEPTS 20-16AWG; 0.5mm<sup>2</sup>-1.5mm<sup>2</sup> TERMINALS (USE A WIRE INSULATION O.D. RANGE OF 1.40 TO 2.40mm)



RIGHT EXIT PLUG ASSEMBLY SHOWN WITH OPTIONAL WIRE DRESS ASSEMBLY (MUST BE PURCHASED SEPARATELY) SCALE 1:1



(METHOD FOR IDENTIFYING EXIT ORIENTATION)



- 1. PLUG HOUSING AND SEAL COVER: NYLON 6/6, BLACK. TPA: NYLON 6/6, COLOR - SEE TABLE. MATTE WIRE SEAL: SILICONE, LIGHT BLUE. PERIPHERAL SEAL: SILICONE, GREEN. ALPHA SLIDE: NYLON 6/6, BLUE. BETA SLIDE: NYLON 6/6, GREEN.

- 2. TPA SHOWN IN PRE-LATCHED, AS SHIPPED, POSITION.
- 3. TPA SHOWN IN CLOSED POSITION.

- 4. SEE TABLE ON SHEET 2 FOR SEAL COVER PIN OUT CONFIGURATION.

- 5. PLUG ASSEMBLY MATES WITH TYCO ELECTRONICS INTERFACE DRAWING 1924771.INT, POLARIZATION C.

- 6. PLUG ASSEMBLY WILL ACCEPT THE FOLLOWING GET TERMINAL PART NUMBERS: 1393364-1 (GOLD 22AWG; 0.35mm<sup>2</sup>) 1393365-1 (GOLD 18-20AWG; 0.75mm<sup>2</sup>-0.5mm<sup>2</sup>) 1924878-1 (TIN/SILVER 22AWG; 0.35mm<sup>2</sup>) 1924879-1 (TIN/SILVER 18-20AWG; 0.75mm<sup>2</sup>-0.5mm<sup>2</sup>) 1924782-1 (TIN/SILVER 1.0mm<sup>2</sup>) 1924880-1 (TIN/SILVER 16AWG; 1.5mm<sup>2</sup>)

- 7. WIRE DRESS ASSEMBLY MUST BE INSTALLED ONTO PLUG ASSEMBLY WITH LEVER IN LOCKED POSITION.

- 8. APPLICATION SPEC'S: 408-10229, 408-10230.

- 9. NOTE DELETED.

- 10. FORCE TO SEAT TPA COMPONENT FROM PRE-SET TO LOCKED (FULLY LOADED W/ TERMINALS) TO BE 83N MAX.

- 11. FORCE TO MOVE TPA FROM FULLY LOCKED TO PRE-SET TO BE 115N MAX. FLAT BLADE SCREWDRIVER SUGGESTED FOR REMOVAL OF TPA.

SEE TABLE, SH 2	TAN	C	1-1924941-6
SEE TABLE, SH 2	TAN	C	1-1924941-5
SEE TABLE, SH 2	TAN	C	1-1924941-4
SEE TABLE, SH 2	TAN	C	1-1924941-3
SEE TABLE, SH 2	TAN	C	1-1924941-2
SEE TABLE, SH 2	TAN	C	1-1924941-1
SEE TABLE, SH 2	TAN	C	1-1924941-0
SEE TABLE, SH 2	TAN	C	1924941-9
SEE TABLE, SH 2	TAN	C	1924941-8
SEE TABLE, SH 2	TAN	C	1924941-7
SEE TABLE, SH 2	TAN	C	1924941-6
SEE TABLE, SH 2	TAN	C	1924941-5
SEE TABLE, SH 2	TAN	C	1924941-4
SEE TABLE, SH 2	TAN	C	1924941-3
SEE TABLE, SH 2	TAN	C	1924941-2
ALL OPEN	TAN	C	1924941-1
BLOCKED CIRCUITS	TPA COLOR	INDEX REF	PART NUMBER

THIS DRAWING IS A CONTROLLED DOCUMENT. DWG: D.J.HARDY 29NOV2007. CHK: A.J.VASBINDER 03DEC2007. APPV: A.J.VASBINDER 03DEC2007.

DIMENSIONS: mm. TOLERANCES UNLESS OTHERWISE SPECIFIED: 0 PLC ±, 1 PLC ±, 2 PLC ±0.25, 3 PLC ±, 4 PLC ±, ANGLES ±.

MATERIAL: FINISH: WEIGHT: CUSTOMER DRAWING.

NAME: PLUG ASSEMBLY, 96 POSITION, INDEX C - RIGHT EXIT, SEALED, GPEC II.

SIZE: A100779. CAGE CODE: DRAWING NO: 1924941. RESTRICTED TO: SCALE: 2:1. SHEET 1 OF 2. REV: C5.

