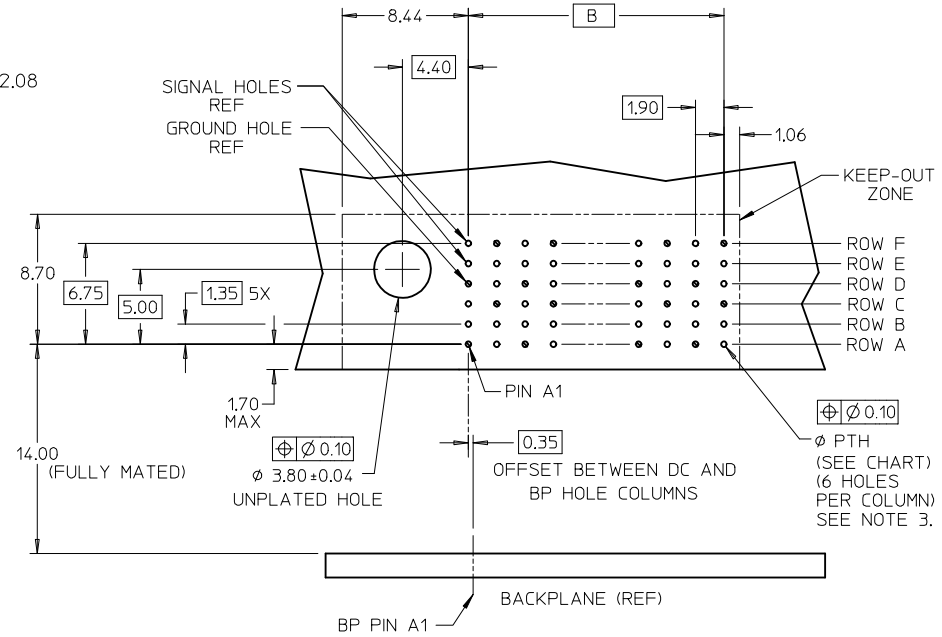


- NOTES:
1. MATERIALS: HOUSING - LIQUID CRYSTAL POLYMER (LCP), GLASS-FILLED, UL94V-0
TERMINALS - HIGH PERFORMANCE COPPER ALLOY
 2. FINISH: 30μN MIN SELECTIVE GOLD IN CONTACT AREA, SELECTIVE TIN ON PCB TAILS, NICKEL OVERALL.
 3. REFER TO MOLEX PRODUCT SPEC PS-76060-999 FOR PERFORMANCE SPECIFICATIONS AND ADDITIONAL PCB INFORMATION.
 4. EACH SIGNAL WAFER CONTAINS 2 COLUMNS OF TERMINALS.
 5. PRODUCT IS PACKAGED PER PK-70873-592.
 6. THIS PART CONFORMS TO CLASS B REQUIREMENTS OF COSMETIC SPEC PS-45499-002.
 7. REFER TO MOLEX SALES DRAWING SD-76455-002 FOR THE MATING HEADERS AND SD-76460-004 FOR MATING RAM.
 8. REFER TO MOLEX PCB ROUTING GUIDE AS-76060-990 FOR ANTIPAD AND ROUTING RECOMMENDATIONS.
 9. PART NUMBER 76460-1020 SHOWN ON DRAWING. KEYING FEATURES WILL CHANGE WITH COLUMN SIZE.
 10. MINIMUM BOARD THICKNESS IS 1.60 mm FOR GUIDE MODULE SCREW PEG HOLD DOWN FUNCTIONALITY.
 11. WHEN USING MOLEX SUPPLIED #2-32 SCREW 73726-4000 (4.31mm ±0.38 THREADABLE SCREW LENGTH), THE MAXIMUM BOARD THICKNESS IS 1.8 mm TO 2.4 mm.
 12. THIS NOTCH IS A DIE NOTCH. IT IS SHOWN TO IDENTIFY IT'S PRESENCE, NOT IT'S POSITION. (THIS WILL VARY WITH PART LENGTH), IT SERVES NO PURPOSE IN THE FINISHED ASSEMBLY.
 13. MARKING: LOCATED APPROXIMATELY AS SHOWN. PART NUMBER AND DATE CODE.



DAUGHTERCARD HOLE PATTERN (CONNECTOR SIDE)

UPD NOTE 10 EC NO: UCP2017-0743 DRWN: JGONZALEZ01 2016/10/03 CHKD: APPR: TELO 2016/10/03 REV	QUALITY SYMBOLS	GENERAL TOLERANCES (UNLESS SPECIFIED)	DIMENSION STYLE	SCALE	DESIGN UNITS	THIRD ANGLE PROJECTION
		mm INCH	MM ONLY	4:1	METRIC	
	4 PLACES ±--- ±--- 3 PLACES ±--- ±--- 2 PLACES ±0.13 ±--- 1 PLACE ±0.25 ±--- 0 PLACE ±--- ±---	DRAWN BY JLAURX DATE 2008/04/11 CHECKED BY TELO DATE 2008/04/11 APPROVED BY JLAURX DATE 2008/04/11	TITLE	IMPACT 100 OHM DC 2 PAIR SIGNAL MODULE GUIDE LEFT SALES DWG		
	ANGULAR ±1/2° DRAFT WHERE APPLICABLE MUST REMAIN WITHIN DIMENSIONS	MATERIAL NO. SEE CHART SIZE C THIS DRAWING CONTAINS INFORMATION THAT IS PROPRIETARY TO MOLEX INCORPORATED AND SHOULD NOT BE USED WITHOUT WRITTEN PERMISSION	DOCUMENT NO.	SD-76460-002		
						SHEET NO. 1 OF 2

MATERIAL NUMBER	# OF COLUMNS	# OF DIFF PAIR	DIM "A" MAX	DIM "B"	PTH ϕ
76460-*010	10	20	26.60	17.10	0.46 ± 0.05
76460-*016	16	32	38.00	28.50	
76460-*020	10	20	26.60	17.10	0.39 ± 0.05
76460-*026	16	32	38.00	28.50	

76460-*0**

MODULE & TAIL PLATING TYPE
3 = LEFT GUIDED LEAD-FREE

OF COLUMNS
10 = 10 COL 0.46 PTH
16 = 16 COL 0.46 PTH
20 = 10 COL 0.39 PTH
26 = 16 COL 0.39 PTH

SEE SHEET 1 EC NO: UCP2017-0743 DRWN: GONZALEZ01 2016/10/03 CHKD: APPR: TELO 2016/10/03	QUALITY SYMBOLS	GENERAL TOLERANCES (UNLESS SPECIFIED)	DIMENSION STYLE	SCALE	DESIGN UNITS	THIRD ANGLE PROJECTION
		mm INCH	MM ONLY	4:1	METRIC	
		4 PLACES \pm --- \pm ---	DRAWN BY DATE	TITLE IMPACT 100 OHM DC 2 PAIR SIGNAL MODULE GUIDE LEFT SALES DWG molex		
		3 PLACES \pm --- \pm ---	CHECKED BY DATE			
	2 PLACES ± 0.13 \pm ---	TELO 2008/04/11				
	1 PLACE ± 0.25 \pm ---	APPROVED BY DATE				
	0 PLACE \pm --- \pm ---	JLAURX 2008/04/11	MATERIAL NO.	DOCUMENT NO.	SHEET NO.	
		ANGULAR $\pm 1/2^\circ$	SEE CHART	SD-76460-002	2 OF 2	
		DRAFT WHERE APPLICABLE MUST REMAIN WITHIN DIMENSIONS	THIS DRAWING CONTAINS INFORMATION THAT IS PROPRIETARY TO MOLEX INCORPORATED AND SHOULD NOT BE USED WITHOUT WRITTEN PERMISSION			