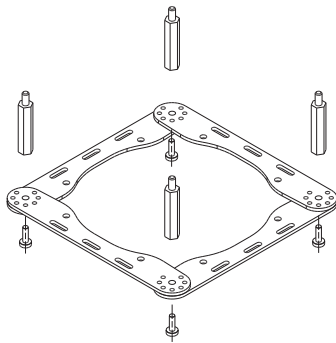
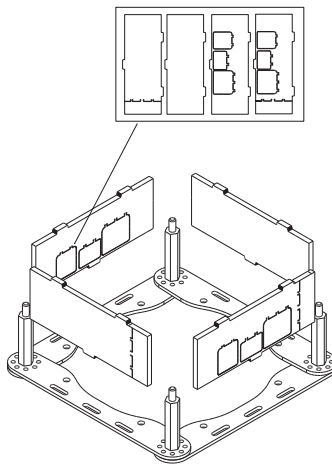


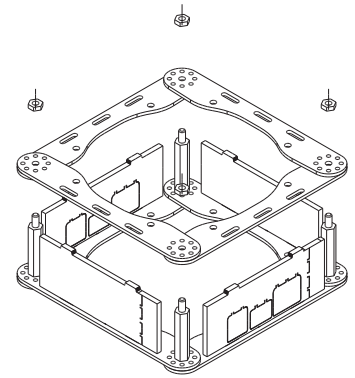
# Skeleton box 10X10



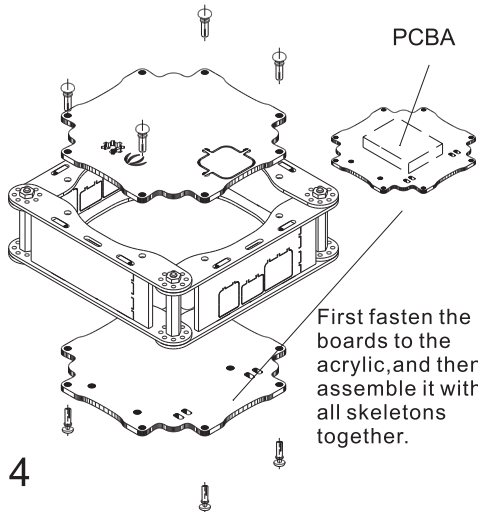
1



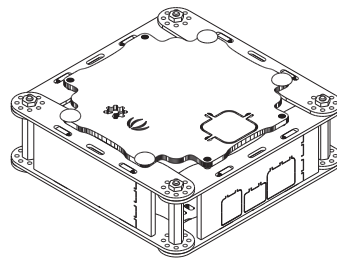
2



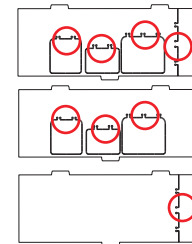
3



4



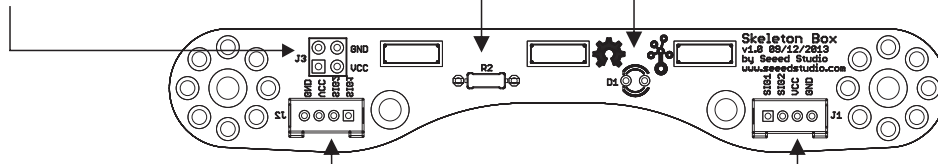
5



Structure like this, depending on your situation and needs, you can break it

Can break out to provide power supply to other devices or get external power supply

D2.3\*6.5 resistor can be soldered here  
Φ3LED can be soldered here



Grove interface can be soldered here.  
These 2 Groves form a parallel circuit

M3	M3*8	M3*26+6	R3080	2056	Φ3	Φ3	220Ω	Grove-4P
4pcs	4pcs	4pcs	12pcs	8pcs	4pcs	4pcs	4pcs	8pcs