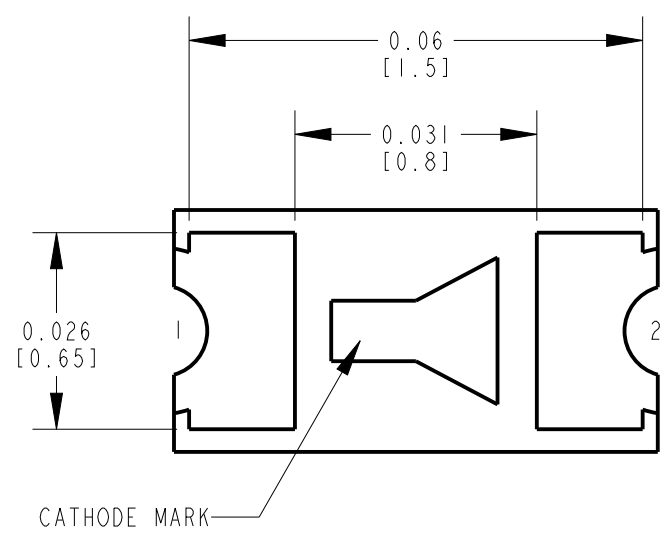
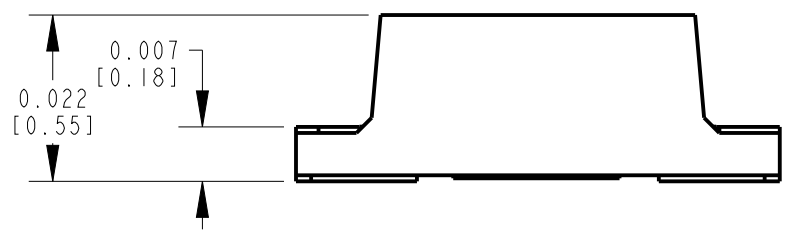
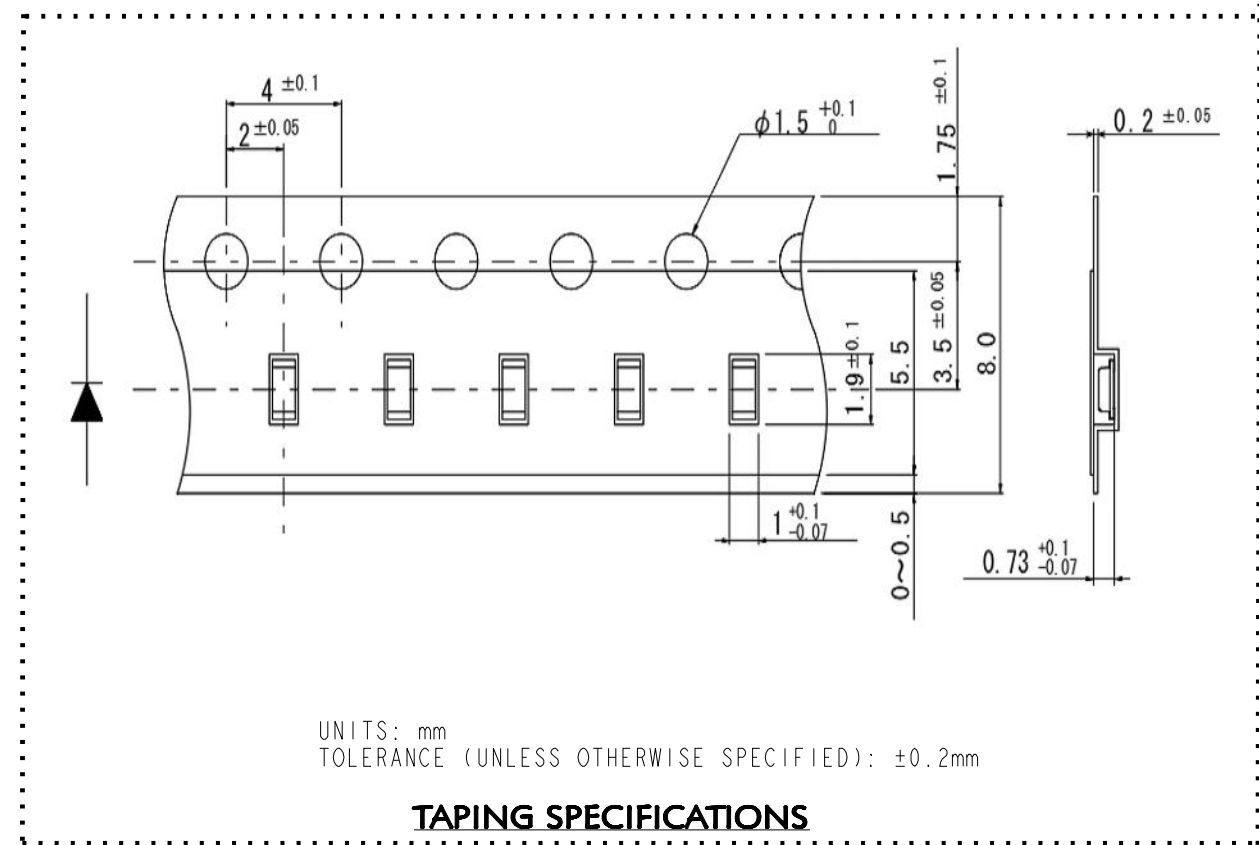
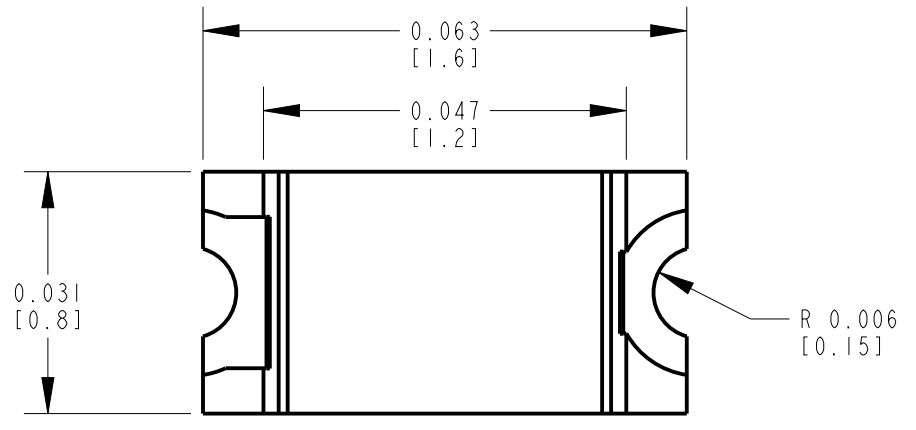


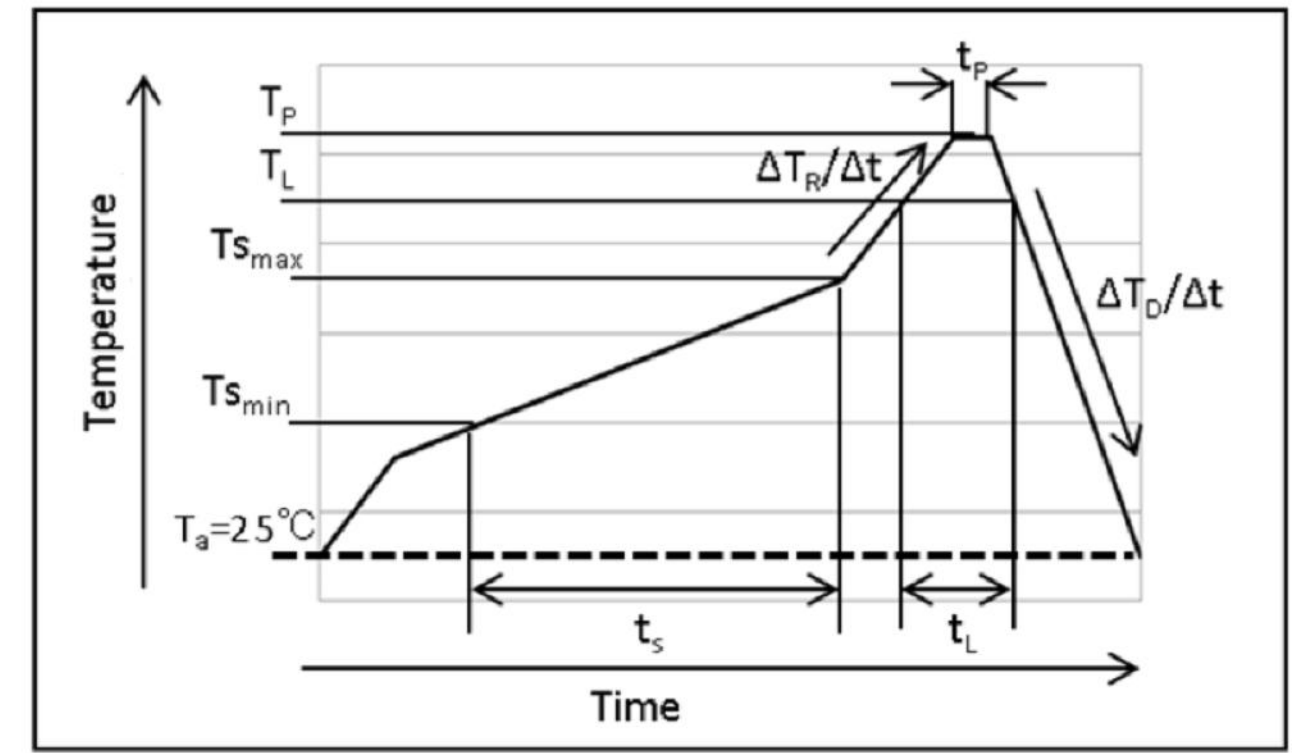
PART NUMBER	LED COLOR
597-3604-502F, 507F	BLUE (470nm)
597-3324-502F, 507F	GREEN (527nm)
597-3904-502F, 507F	WHITE

REV	ECN NO	REVISIONS	DRN	CKD	APP	DATE
A	—	NEW RELEASE	BP	—	NO	4-2-18



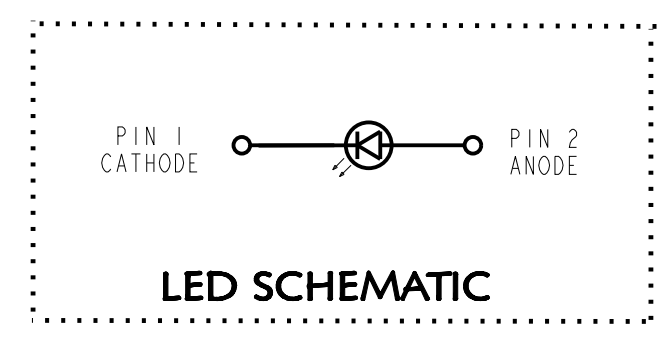
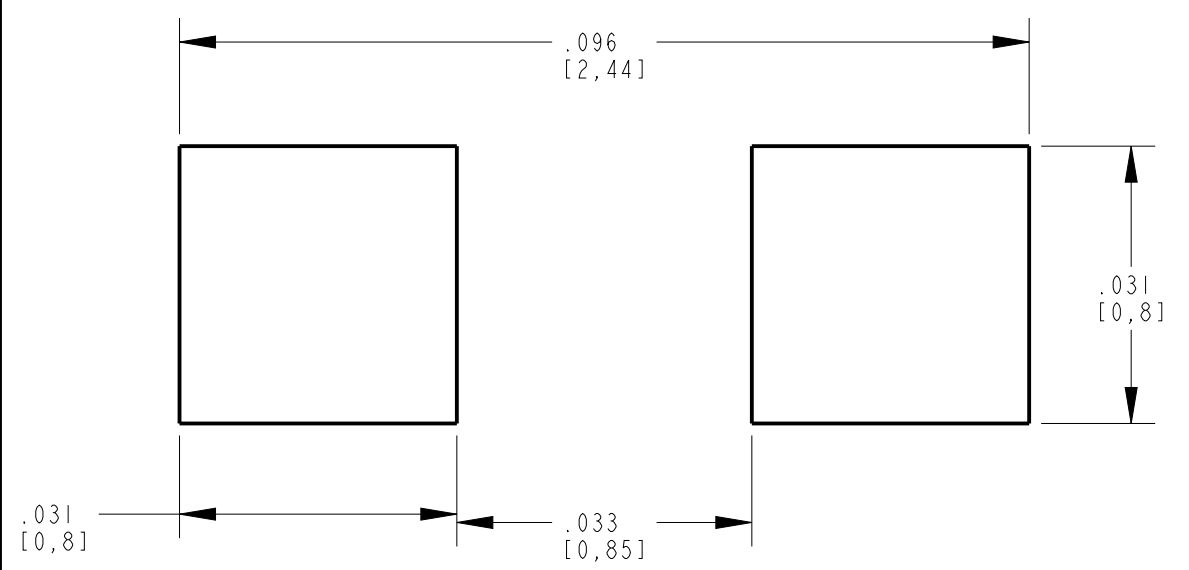
ABSOLUTE MAXIMUM RATINGS AT 25°C						
LED COLOR	POWER DISSIPATION (mW)	FORWARD CURRENT (mA)	PEAK FORWARD CURRENT (mA)	REVERSE VOLTAGE (V)	OPERATING TEMPERATURE (°C)	STORAGE TEMPERATURE (°C)
BLUE (470nm)	66	20	100	5	-40 TO +100	-40 TO +100
GREEN (527nm)	70					
WHITE	66					

OPERATING CHARACTERISTICS AT 25°C										
LED COLOR	IF (mA)	LUMINOUS INTENSITY (mcd)			DOMINANT WAVELENGTH (nm)			REVERSE CURRENT	FORWARD VOLTAGE (IF=5mA)	
		MIN.	TYP.	MAX.	MIN.	TYP.	MAX.	MAX.	TYP.	MAX.
BLUE (470nm)	5	14	40	56	—	470	—	10 μA @ VR=5V	2.9	3.3
GREEN (527nm)		56	140	330	520	527	535		3	3.5
WHITE		56	120	220	—	X=0.295 Y=0.280	—		2.9	3.3

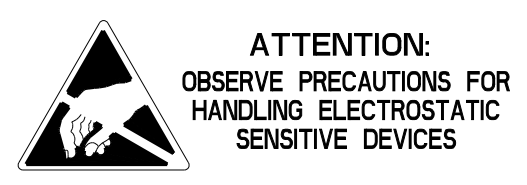


Mark	Meanings	Conditions
T _{Smax}	Maximum of pre-heating temperature	180°C
T _{Smin}	Minimum of pre-heating temperature	140°C
t _s	Time from T _{Smin} to T _{Smax}	Over 60sec.
T _L	Reference temperature	230~260°C
t _L	Retention time for T _L	Within 40sec.
T _P	Peak temperature	260°C(Max)
t _p	Time for peak temperature	Within 10sec.
ΔT _R /Δt	Temperature rising rate	Under 3°C/sec.
ΔT _D /Δt	Temperature decreasing rate	Over -3°C/sec.

RECOMMENDED R₀HS SOLDER PROFILE



RECOMMENDED SOLDER PAD LAYOUT



- NOTES:**
- DIALIGHT P/N: 597-3XX4-502F, 597-3XX4-507F. SUFFIX -502F FOR 20 PCS ON A SAMPLE TAPE STRIP SUFFIX -507F FOR 7" DIAMETER REEL, PACKAGED 3000 PCS PER REEL
 - LABELING FOR REEL AND OUTSIDE OF ALUMINUM BAG: DIALIGHT P/N, QUANTITY PER REEL, DATE CODE, INTENSITY BIN CODE, LOT NUMBER AND COUNTRY OF ORIGIN
 - TAPE AND REEL LEDS MAY REQUIRE RE-TAPING AFTER TWELVE MONTHS.
 - PIN NUMBERS ARE FOR REFERENCE ONLY, DESIGNATION NON-EXISTENT ON PART.
 - THIS PRODUCT IS R₀HS COMPLIANT. EACH BAG IS TO BE MARKED WITH R₀HS COMPLIANT LABEL OR EQUIVALENT MARKINGS. LED MUST BE Pb FREE.
 - MSL LEVEL 3

THIS DRAWING AND THE CONTENTS HEREIN ARE CONFIDENTIAL AND THE SOLE PROPERTY OF DIALIGHT CORP. REPRODUCTION OF THIS DRAWING OR CONSTRUCTION OF ANY PARTS WITHIN THIS DRAWING ARE FORBIDDEN WITHOUT THE WRITTEN CONSENT OF DIALIGHT CORP.

DIALIGHT CORP INTERNAL REFERENCE ONLY - 3D MODEL: 4500521848X15-A-1

SCALE: 50.000	DRAWING NUMBER	REV
ALL DIM'S IN: INCHES (MM)	C-18367	A
TOLERANCES: UNLESS OTHERWISE SPECIFIED	TITLE	
FRACTIONS: ±1/64	SM LED 0603 PACKAGE	
DECIMALS (.XX): ±.01	MATERIAL	
DECIMALS (.XXX): ±.005		
DECIMALS (.XXXX): ±.0005		
ANGLES: ±1°		
FINISH	Dialight	1501 ROUTE 34 SOUTH FARMINGDALE, NJ 07727 (732) 919-3119 www.dialight.com
FSCM 83330	SHEET 1 OF 1	FAMILY TABLE: