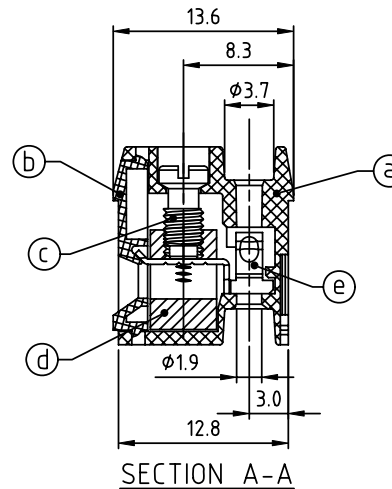
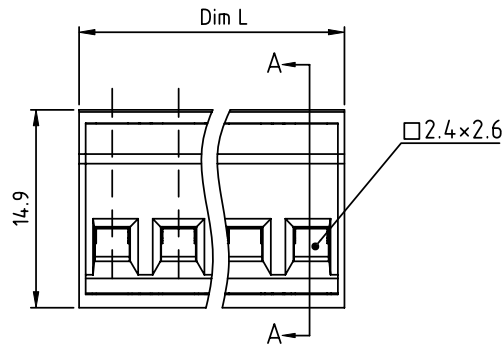
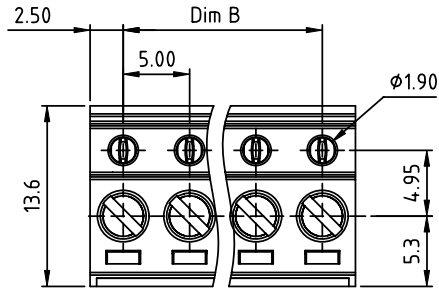


PRODUCT NUMBER	PITCH
EOxx01x000J0G	5.00 mm



**Material**

- Item (a) Terminal housing: Thermoplastic (UL94V-0)
- Item (b) Terminal cover: Thermoplastic (UL94V-0)
- Item (c) Terminal screw: Steel Zinc plating "- "type
- Item (d) Clamp: Brass, Ni plated
- Item (e) Female contact: PhBz , Tin plated

**Electrical**

- Voltage rating: 300V
- Current rating: 15A
- Wire range:
- Solid wire(AWG): 12-28
- Stranded wire(AWG): 12-28
- Torque: 4.5Lb-In
- Screw: M3
- Wire strip length: 5-6mm
- Withstanding Voltage: 1.6KV
- Operating temperature: -40°C to +115°C
- Safety Approval: us

PART NO.: EO xx 01 x 0 00J0 G

N=Number of poles

Dim L=N×5.00
Dim B=(N-1)×5.00

POLES	Tolerance
2P-5P	±0.10
6P-9P	±0.15
10P-12P	±0.20

Solid block		Body Color		RoHS compliant
No. of poles				(lead<4%)
02	2 poles	0	Black (RAL9005)	In copper Alloy
03	3 poles	2	Red (RAL3001/D)	
...	...	3	Orange(RAL2011/P)	
12	12 poles	4	Yellow(RAL1018/A)	
		5	Green(RAL6018/T)	
		6	Blue (RAL5015/A)	
		8	Grey(RAL7035/D)	
		9	White(RAL1102)	
		C	Green(RAL6018/U)	

mat'l. code				surface ASME Y14.5 ✓		tolerance ASME Y14.5		projection 		product family TERMINAL BLOCK					
itr				ecn no		dr		date		title					
										TERMINAL BLOCK					
										PLUGGABLE,180D WIRE INLET,SOLID BLOCK					
										scale					
										dwg no					
										sheet 1 of 1 size					
										E0xx01x000J0G A4					
										type					
										CUSTOMER Drawing					
sheet index		revision sheet		A		1									