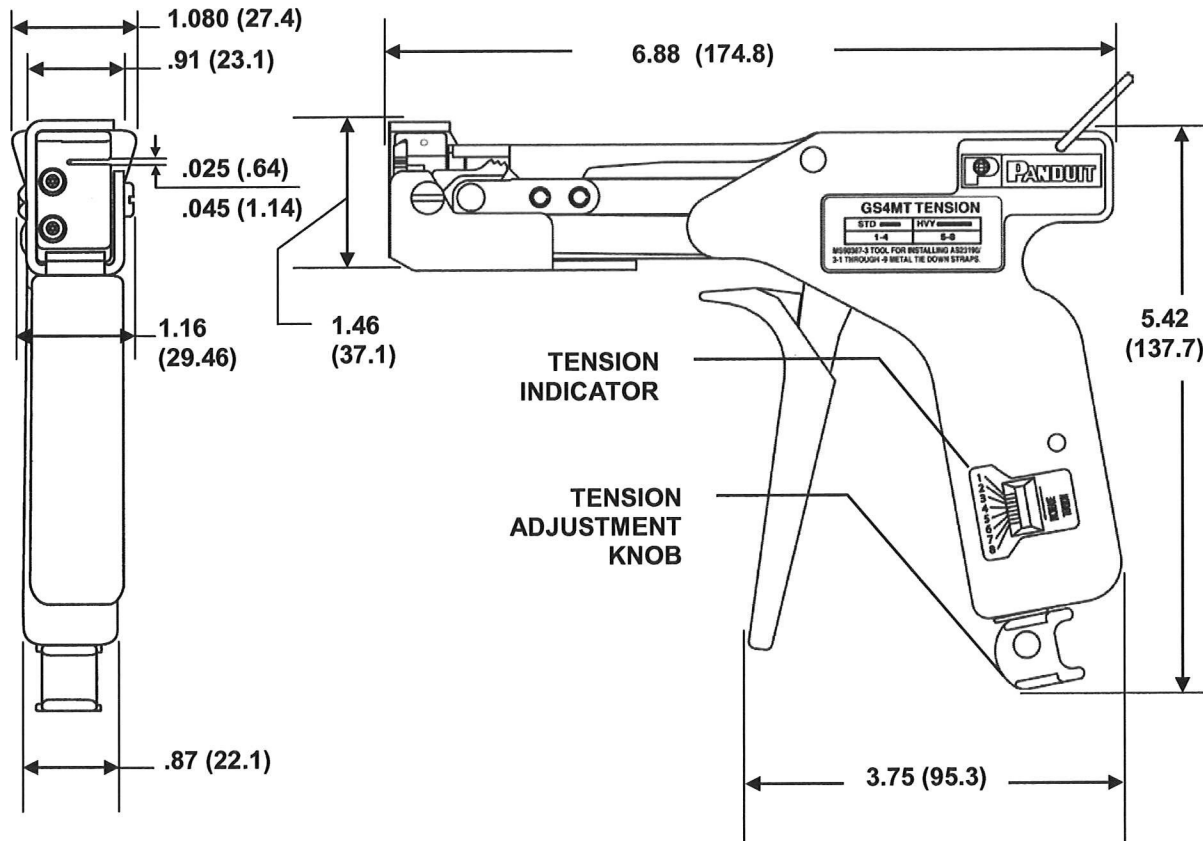


THIS COPY IS PROVIDED ON A RESTRICTED BASIS AND IS NOT TO BE USED IN ANY WAY DETRIMENTAL TO THE INTERESTS OF PANDUIT CORP.



**SPECIFICATIONS:**  
 PANDUIT TOOL NO.: GS4MT  
 TOOL WEIGHT: 19.2 oz. (544 gr.)

INSTALLS PANDUIT Pan-Steel STANDARD (STD), LIGHT-HEAVY (LH) AND HEAVY (HVV) CROSS SECTION STAINLESS STEEL TIES.

- THIS MILITARY STANDARD MS-90387-3 TOOL CAN BE USED TO INSTALL THE FOLLOWING MLT STRAPS: AS23190/3-1,2,3,4,5,6,7,8,9
- THIS TOOL TIGHTENS STAINLESS STEEL TIES AND CUTS OFF EXCESS PORTION WHEN PRESET TENSION IS ATTAINED
- SUPPLIED WITH SELECTOR KNOB FOR TENSION ADJUSTMENT.

DIMENSIONS SHOWN IN PARENTHESES ARE METRIC

F:\RVUSERS\ENGDOCS\CUSTDWGS\WB17905A01\_03.doc

						<b>GS4MT STAINLESS STEEL TIE INSTALLATION TOOL</b>						
						CUSTOMER DRAWING						
						ITEM REVISION NAME:		<b>PANDUIT</b>				
						WB17905A01_03						
						UNLESS OTHERWISE SPECIFIED, DIMENSIONAL TOLERANCES ARE:		MATERIAL:				
						(.x) ± --- (.xxx) ± ---		-----				
						(.xx) ± --- ANGLES ± ---		DRAWING NUMBER:				
						THIRD ANGLE PROJECTION		WB17905A01				
03	2-07-13	BLR			UPD TEMPLATE & BRANDING	4608						
REV	DATE	BY	CHK	APR	DESCRIPTION	ECN	DRAWN BY:	DATE:	CHK	SCALE	SHT 1 OF 1	SIZE
							BLR	2-26-04	ABJ	NONE		A