

THE INFORMATION CONTAINED HEREIN IS CONSIDERED "PROPRIETARY" TO BEL FUSE INC. AND SHALL NOT BE COPIED, REPRODUCED OR DISCLOSED WITHOUT THE WRITTEN APPROVAL OF BEL FUSE INC.

RoHS
2002/95/EC

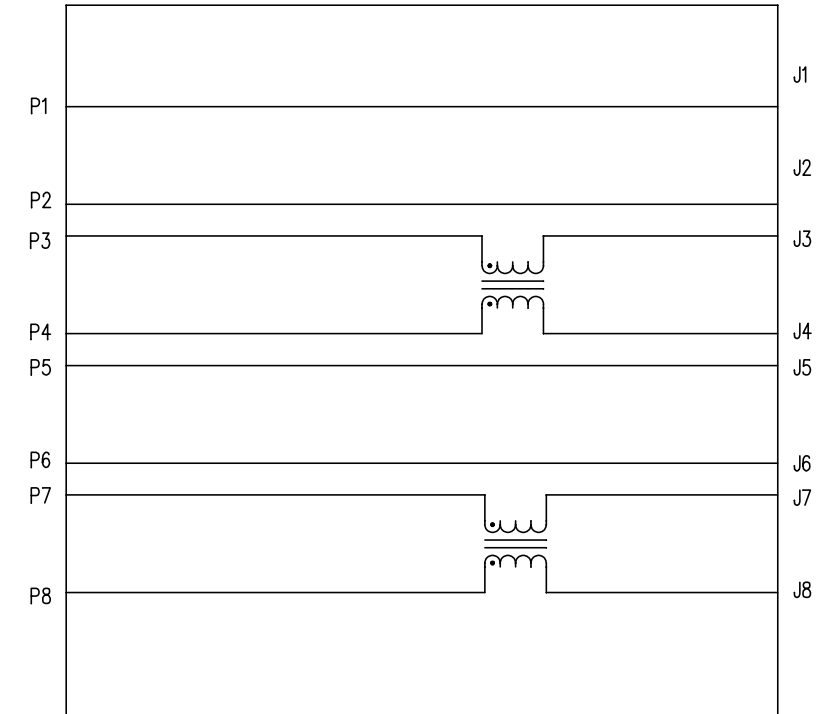


ELECTRICAL CHARACTERISTICS @ 25°C

- 1.0 INDUCTANCE: (P3-J3) = (P4-J4) : 65 uH TYP @.01V, 10KHz
(P7-J7) = (P8-J8) : 65 uH TYP @.01V, 10KHz
- 2.0 DC RESISTANCE: P8-J8 : .5 ohms Max.
P7-J7 : .5 ohms Max.
P4-J4 : .5 ohms Max.
P3-J3 : .5 ohms Max.
- 3.0 COMMON MODE:

FREQUENCY (MHz)	CMA (-dB) TYPICAL	CMA (-dB) MIN
1	8	5
5	17	15
20	23	15
70	25	20
200	22	17
500	11	6

PINS SCHEMATIC RJ45



ORIGINATED BY	DATE
Bain Liu	10-12-09
DRAWN BY	DATE
Bain Liu	10-12-09

TITLE	MagJack® CMC TAB UP, SHIELDED
-------	--

PART NO. / DRAWING NO.	SI-50107-F
FILE NAME	SI-50107-F.DWG

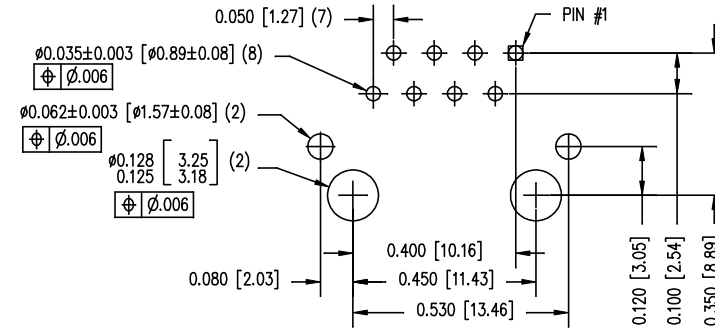
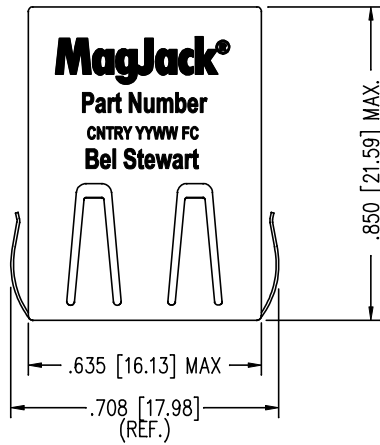
STANDARD DIM.	TOL. IN INCH
.X	
.XX	
.XXX	±0.005

[] METRIC DIM. AS REFERENCE	
UNIT : INCH [mm]	REV. : B0
SCALE : N/A	SIZE : A4
	PAGE : 2

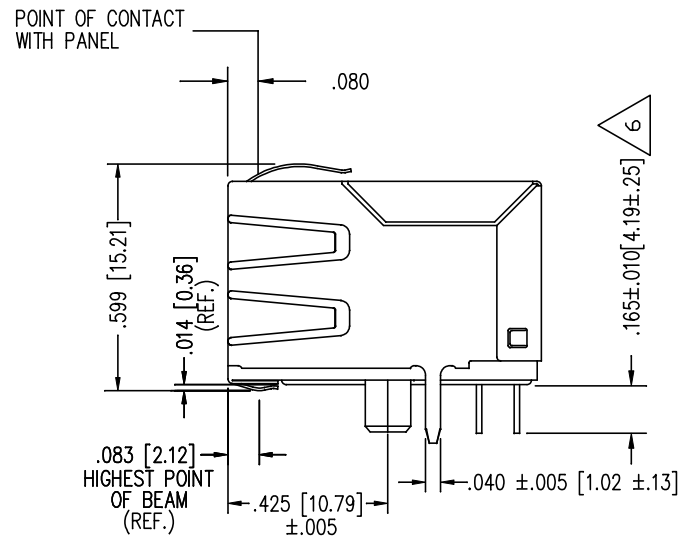
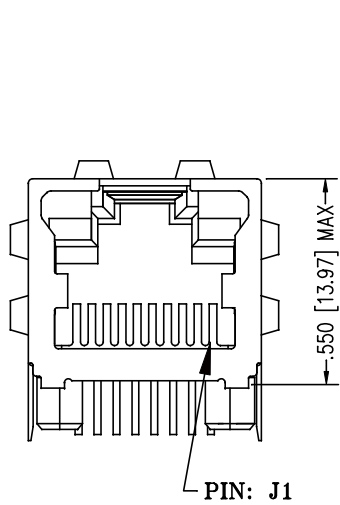


THE INFORMATION CONTAINED HEREIN IS CONSIDERED "PROPRIETARY" TO BEL FUSE INC. AND SHALL NOT BE COPIED, REPRODUCED OR DISCLOSED WITHOUT THE WRITTEN APPROVAL OF BEL FUSE INC.

RoHS
2002/95/EC




P.C.B. RECOMMENDED HOLE LAYOUT
SEEN FROM COMPONENT SIDE
ALL CENTERLINE DIMENSIONS ARE BASIC



NOTES:

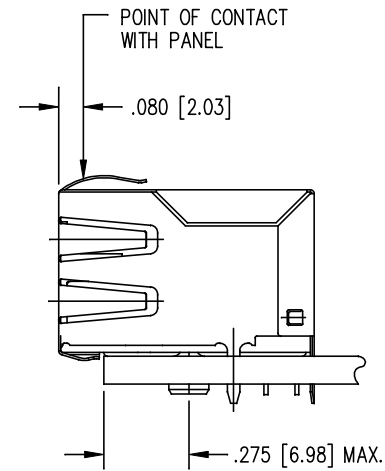
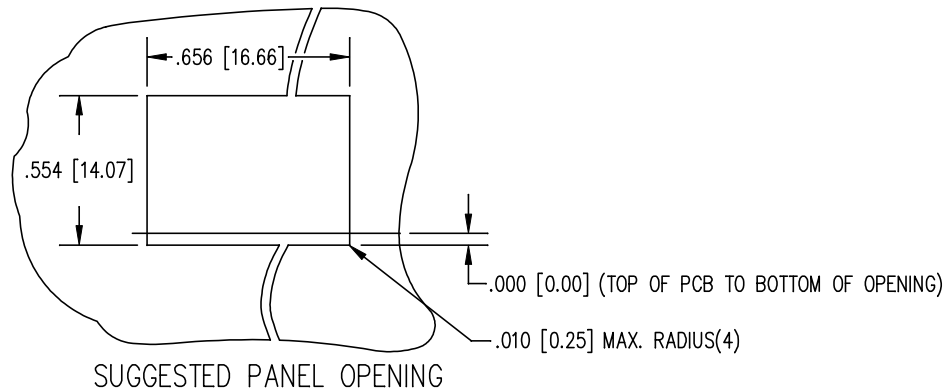
- CONNECTOR MATERIALS:
HOUSING: THERMOPLASTIC UL94 V-0
CONTACT/SHIELD: COPPER ALLOY
SHIELD PLATING: NICKEL OR TIN
CONTACT PLATING: SELECTIVE GOLD,
50 MICRO-INCHES MIN. IN CONTACT AREA.
- PIN NOT ELECTRICALLY CONNECTED MAYBE OMITTED.
SEE ELECTRICAL DRAWING FOR OMITTED PINS.
- TOLERANCES COMPLY WITH F.C.C. DIMENSION REQUIREMENTS.
- ALL TOLERANCES NOT OTHERWISE SPECIFIED TO BE ± 0.005 [0.13]
- REFLOW AND WAVE SOLDER COMPATIBLE -260°C FOR 10 SECONDS MAX.

 NOTE SPECIAL LEAD LENGTH

ORIGINATED BY Bain Liu	DATE 10-12-09	TITLE MagJack® CMC TAB UP, SHIELDED	PART NO. / DRAWING NO. SI-50107-F	STANDARD DIM. TOL. IN INCH	[] METRIC DIM. AS REFERENCE	 COMPONENTS FOR A CONNECTED PLANET
DRAWN BY Bain Liu	DATE 10-12-09	FILE NAME SI-50107-F.DWG	.X	UNIT : INCH [mm]	REV. : B0	
			.XX	SCALE : N/A	SIZE : A4	
			.XXX	± 0.005	PAGE : 3	

THE INFORMATION CONTAINED HEREIN IS CONSIDERED "PROPRIETARY" TO BEL FUSE INC. AND SHALL NOT BE COPIED, REPRODUCED OR DISCLOSED WITHOUT THE WRITTEN APPROVAL OF BEL FUSE INC.

RoHS
2002/95/EC



1. THE SUGGESTED PANEL OPENING IS INTENDED TO GIVE THE USER THE ABILITY TO HAVE REASONABLE JACK / PANEL CLEARANCES YET MAINTAIN RELIABLE GROUNDING CAPABILITY.
2. ALL TOLERANCES NOT OTHERWISE SPECIFIED TO BE ± 0.005 [0.13]

ORIGINATED BY	DATE	TITLE	PART NO. / DRAWING NO.	STANDARD DIM. TOL. IN INCH	[] METRIC DIM. AS REFERENCE	
Bain Liu	10-12-09	MagJack[®] CMC TAB UP, SHIELDED	SI-50107-F	.X	UNIT : INCH [mm]	REV. : B0
DRAWN BY	DATE		FILE NAME	.XX	SCALE : N/A	SIZE : A4
Bain Liu	10-12-09		SI-50107-F.DWG	.XXX		PAGE : 4

