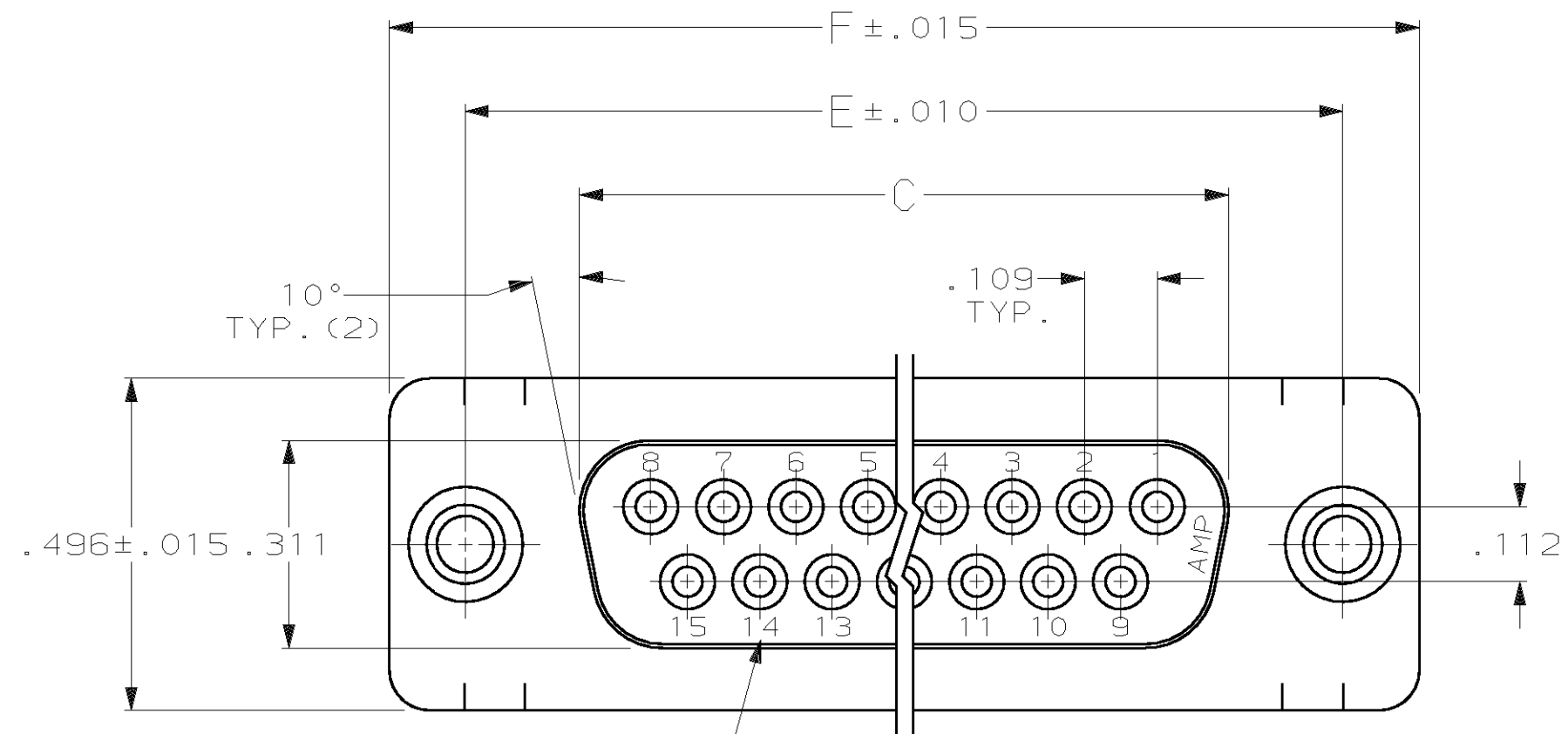


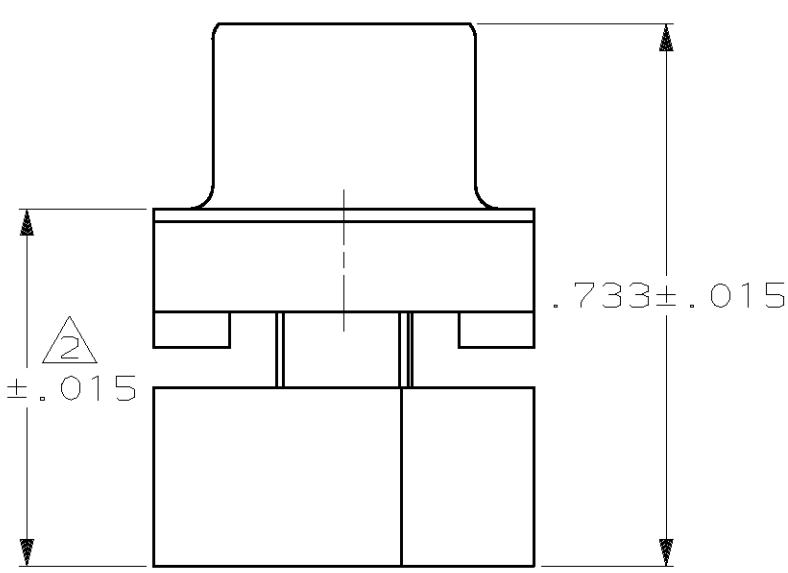
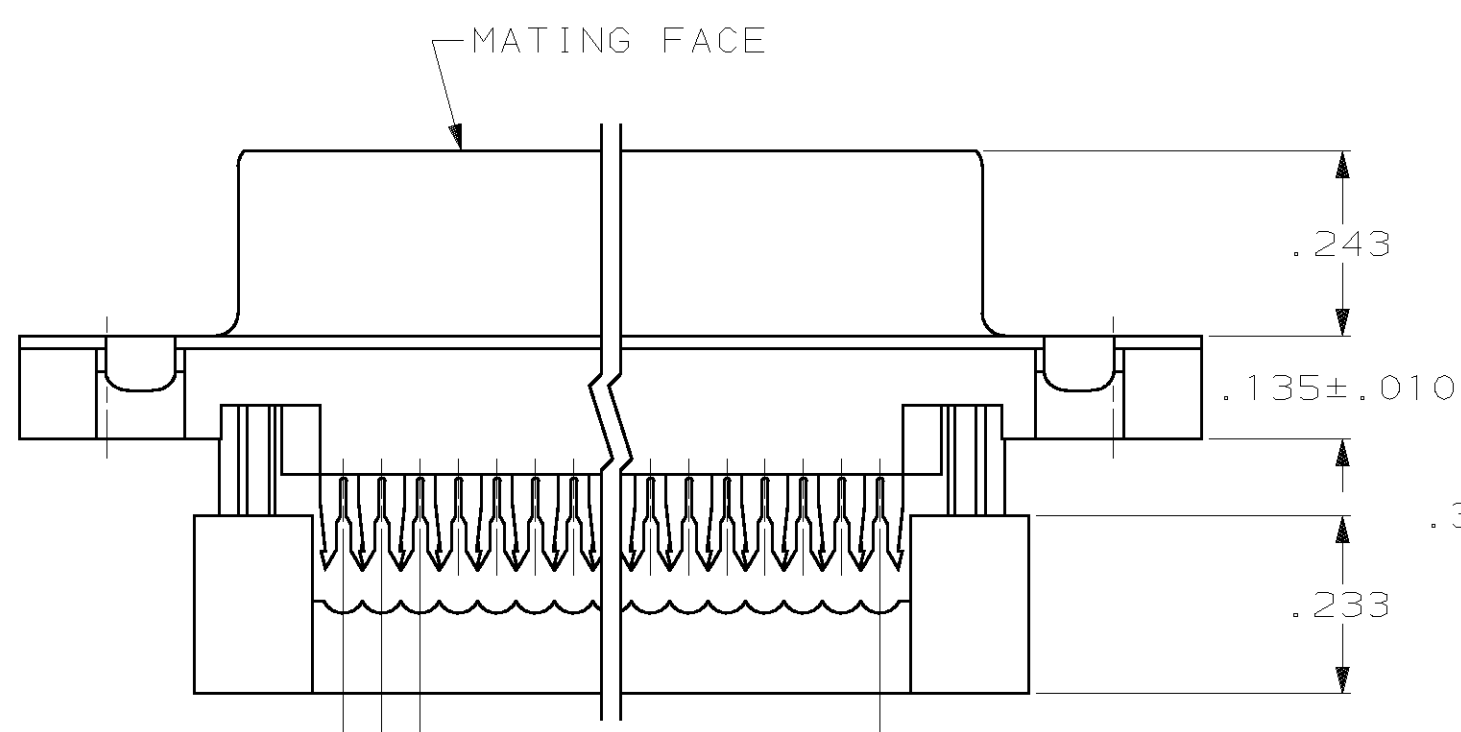
THIS DRAWING IS UNPUBLISHED. RELEASED FOR PUBLICATION .19
 (C) COPYRIGHT 19 BY AMP INCORPORATED. ALL RIGHTS RESERVED.

LOC		DIST		REVISIONS			
P	LTR	DESCRIPTION	DATE	DWN	APVD		
AG	0	F	REVISD PER EC 051C-0006-00	13 MAR 00	AH	CC	

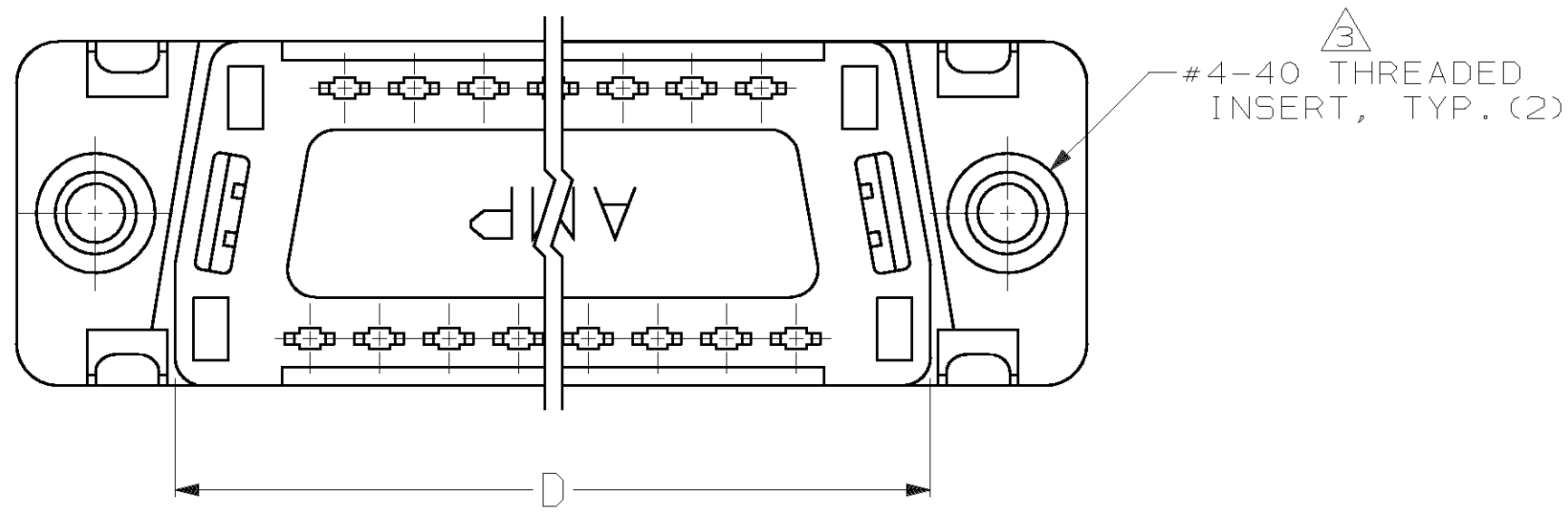


DEPRESSED CAVITY IDENTIFICATION (15 POSITION SHOWN)

- CONNECTOR DESIGNED FOR 28 AND 26 AWG STRANDED AND SOLID CONDUCTOR RIBBON CABLE ON .050Ø.
- DIMENSION APPLIES TO TERMINATED CONNECTOR.
- INSERTS WILL WITHSTAND 6 IN LBS TORQUE AND 50 LBS PULL OUT FORCE FROM MATING FACE SIDE.
- HOUSING: THERMOPLASTIC, 94V-0 RATED, FLAME RETARDANT, COLOR: SEE TABLE. COVER: THERMOPLASTIC, 94V-0 RATED, FLAME RETARDANT, COLOR: BLACK. SHELL: STEEL PER QQ-5-698. CONTACTS: PHOSPHOR BRONZE PER QQ-B-750. INSERTS: BRASS PER MIL-C-50.
- GOLD PLATING PER MIL-G-45204, BRIGHT TIN PLATING PER MIL-T-10727, TIN-LEAD PLATING PER MIL-P-81728, NICKEL PLATING PER QQ-N-290.
- SHELL: BRIGHT TIN PLATED. CONTACTS: .000030 MIN GOLD IN LOCALIZED GOLD PLATE AREA, .000100-.000200 TIN-LEAD ON TERMINATION END, ALL OVER .000050 MIN NICKEL ON ENTIRE CONTACT.
- COLOR - C99 PANTONE 131C, GOLD.



.050 REF.
 .100 REF.
 A SPACES AT .050 = B



OBSOLETE	1.541	1.312	1.087	.971	.700	14	7	15	747052-6
	1.764	1.526	1.287	1.140	.900	18	BLACK	19	747052-5
	1.216	.984	.759	.643	.400	8	BLACK	9	747052-4
	1.541	1.312	1.087	.971	.700	14	BLACK	15	747052-3
	2.090	1.852	1.623	1.511	1.200	24	BLACK	25	747052-2
	2.732	2.500	2.275	2.159	1.800	36	BLACK	37	747052-1

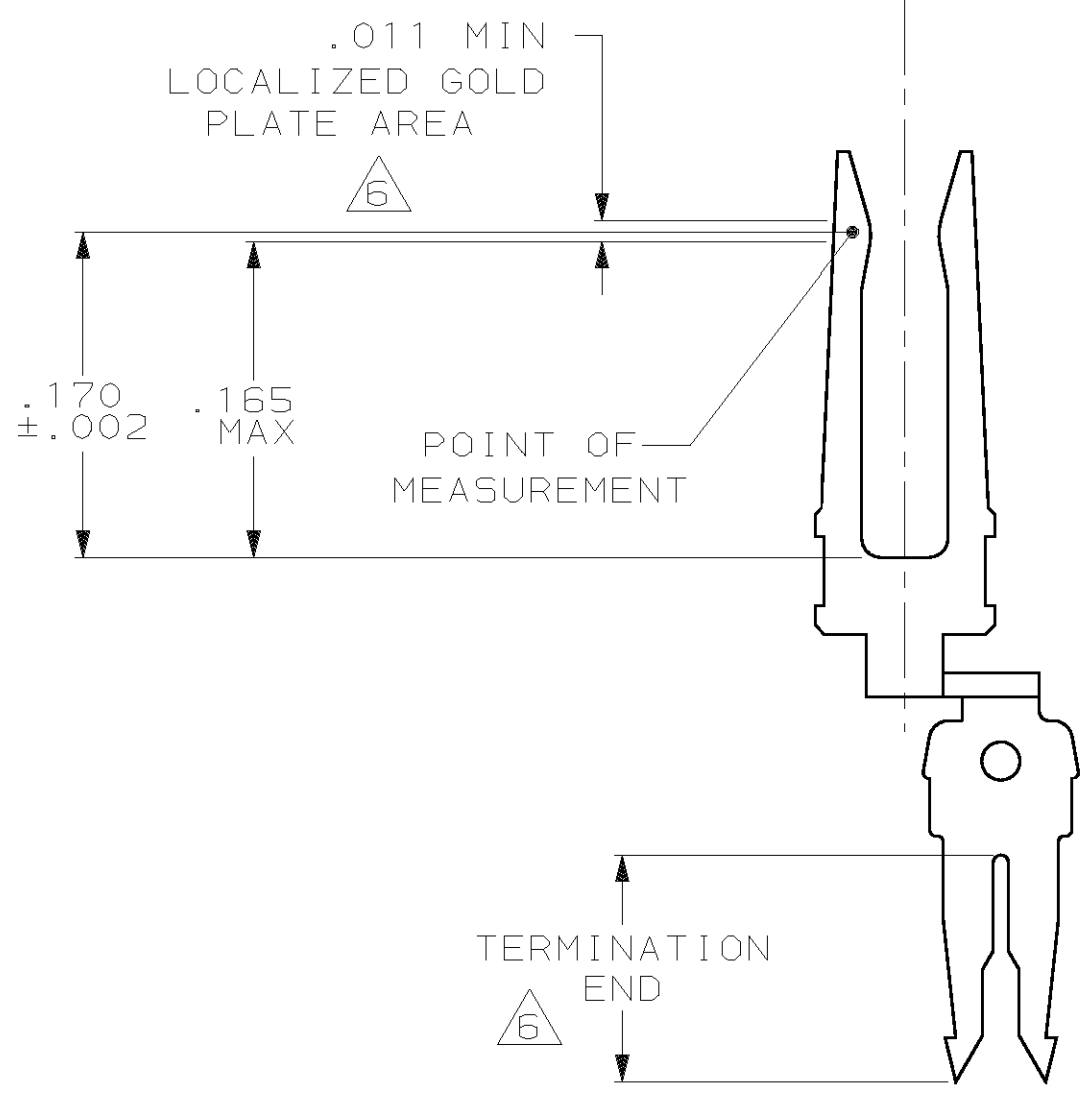
F	E	D	C	B	A	HOUSING COLOR	NO OF POSN	PART NUMBER

DIMENSIONS: INCHES 		TOLERANCES UNLESS OTHERWISE SPECIFIED: 0 PLC ± 1 PLC ± 2 PLC ± 3 PLC ±.005 4 PLC ± ANGLES ±2° FINISH		DWN J.GERACE 11/01/82 CHK R.LEGGETT 11/05/82 APVD E.GILL 11/08/82 PRODUCT SPEC 108-40012 APPLICATION SPEC WEIGHT - CUSTOMER DRAWING	AMP Incorporated Harrisburg, PA 17105-3608 NAME RCPT ASSY, FRONT METAL SHELL, W/PREASSEMBLED COVER & THREADED INSERTS, LOW PROFILE HDF SIZE A2 CAGE CODE 00779 DRAWING NO C-747052 SCALE 4:1 SHEET 1 OF 2 REV F
------------------------	--	---	--	---	---

747052

THIS DRAWING IS UNPUBLISHED. RELEASED FOR PUBLICATION .19
 © COPYRIGHT 19 BY AMP INCORPORATED. ALL RIGHTS RESERVED.

LOC		DIST		REVISIONS			
P	LTR	DESCRIPTION	DATE	DWN	APVD		
AG	0	F	SEE SHEET 1	-	-		



CONTACT DETAIL
SCALE 10:1

<small>THIS DRAWING IS A CONTROLLED DOCUMENT FOR AMP INCORPORATED. IT IS SUBJECT TO CHANGE AND THE CONTROLLING ENGINEERING ORGANIZATION SHOULD BE CONTACTED FOR THE LATEST REVISION.</small>		DWN M.EPLER 11/03/87 CHK W.G.LENKER 11/03/87 APVD W.G.LENKER 11/03/87	AMP AMP Incorporated Harrisburg, PA 17105-3608
DIMENSIONS: INCHES	TOLERANCES UNLESS OTHERWISE SPECIFIED: 0 PLC ±- 1 PLC ±- 2 PLC ±- 3 PLC ±.005 4 PLC ±- ANGLES ±2° FINISH	PRODUCT SPEC 108-40012 APPLICATION SPEC - WEIGHT -	NAME RCPT ASSY, FRONT METAL SHELL, W/PREASSEMBLED COVER & THREADED INSERTS, LOW PROFILE HDF SIZE A2 CAGE CODE 00779 DRAWING NO. C-747052
MATERIAL			SCALE 4:1 SHEET 2 OF 2 REV F CUSTOMER DRAWING

747052