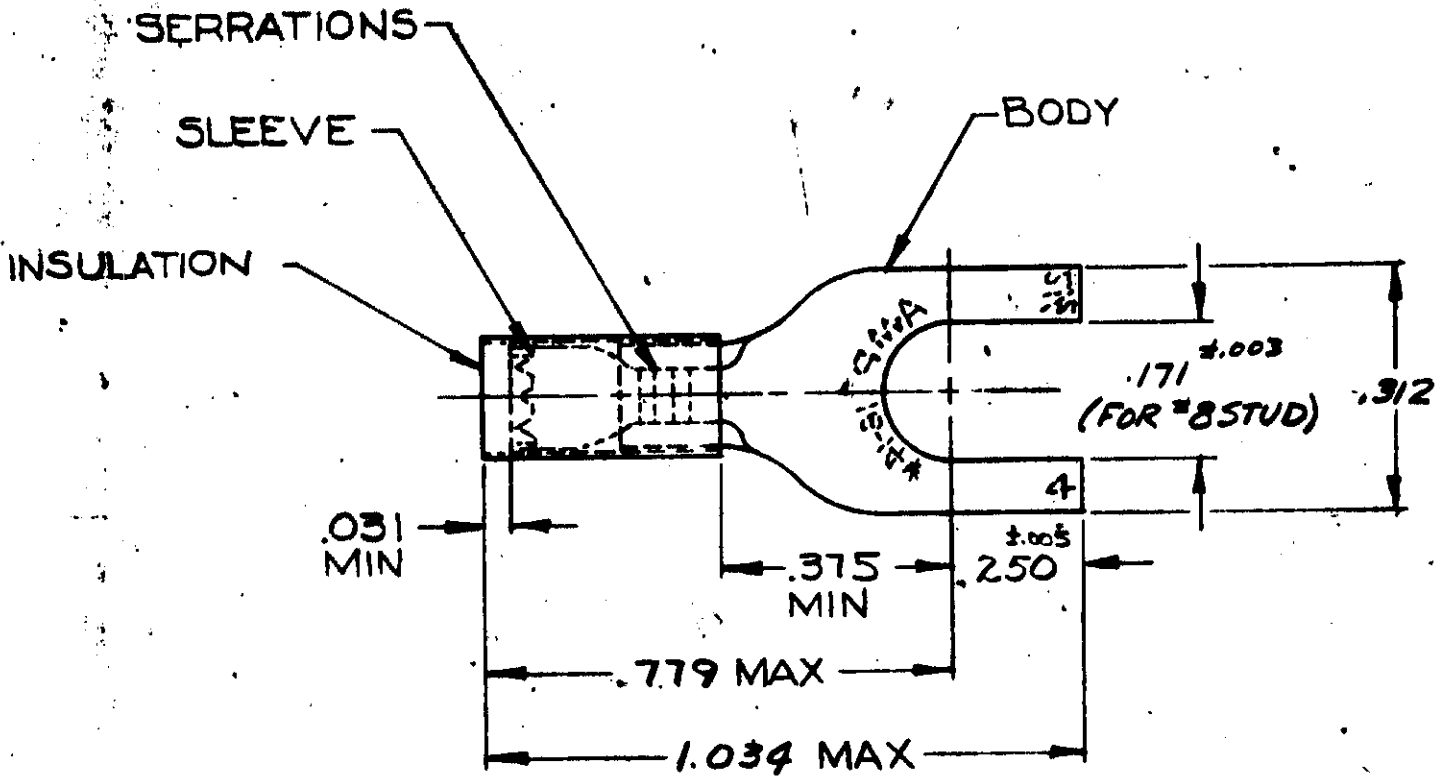


IN AMERICAN PROJECTION


6 147

© 1968 AMP INCORPORATED, ALL RIGHTS RESERVED. AMP PRODUCTS COVERED BY PATENTS AND/OR PATENTS PENDING.

REVISIONS			
LTR	DESCRIPTION	DATE	APPROVED
B	REDRAWN, REVISED P-6079	JME 3-16-70	FCY
C	REV PER 6-4732	JT 7/26/88	PLS



TONGUE MATERIAL THK = .031 ±.002
FOR .115 TO .170 WIRE INSULATION DIA

1	WIRE TERMINAL	325199	BODY: COPPER (QQ-C-576) TIN PL (MIL-T-10727) SLEEVE: COPPER (QQ-C-576) INSULATION: NYLON COLOR: BLUE
QTY	DESCRIPTION	PART NO	MATERIAL & FINISH
UNLESS OTHERWISE SPECIFIED DIMENSIONS ARE IN INCHES TOLERANCES ON: DECIMALS ±.008 ANGLES ± 5°	CONTRACT NO. —		 AMP INCORPORATED HARRISBURG, PENNSYLVANIA
	DR. JME 3-13-70	CHK. J.C. 3-16-70	
MATERIAL	APPD. J. Swibel 3-16-70	REL. J. Swibel 3-17-70	SIZE CODE IDENT NO. NUMBER
	OTHER APPD.		A 00779 325199
SEE TABLE	SCALE NTS		SHEET 1 OF 1