

1 2 3 4 5 6

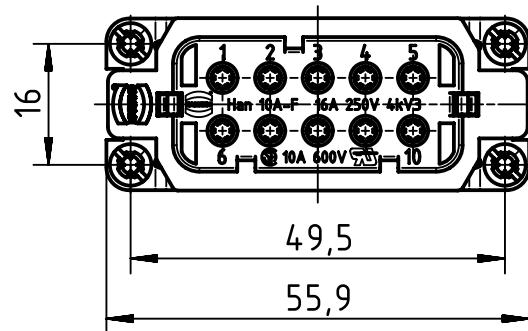
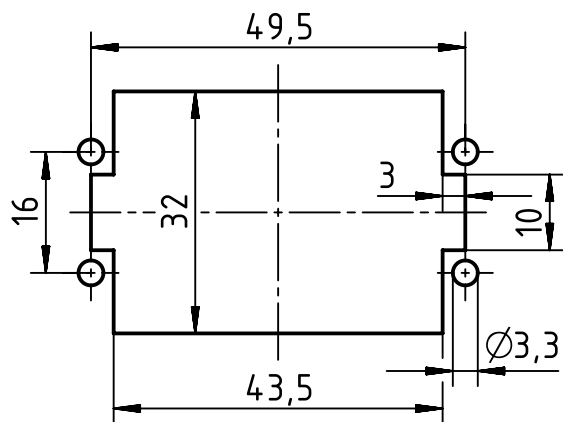
A

B

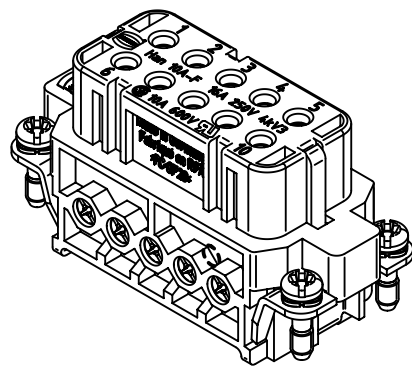
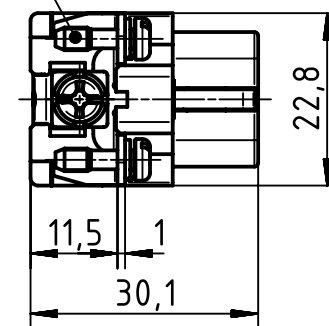
C

D

panel cut out



M3x10



	All Dimensions in mm Original Size DIN A4		Scale 1:1	Free size tol.		Ref.
	All rights reserved Department EL PD - DE		Created by SPRENB	Inspected by BERGHORN	Standardisation TIEMANNA	Sub.
HARTING Electric GmbH & Co. KG D-32339 Espelkamp		Title Han A 10 Pos. F Insert Screw			Date 2015-09-18	State Final Release
		Type TB	Number 09 20 010 2812		Doc-Key / ECM-Nr. 100087383/UGD/005/B 500000091602	Rev. B Page 1/1