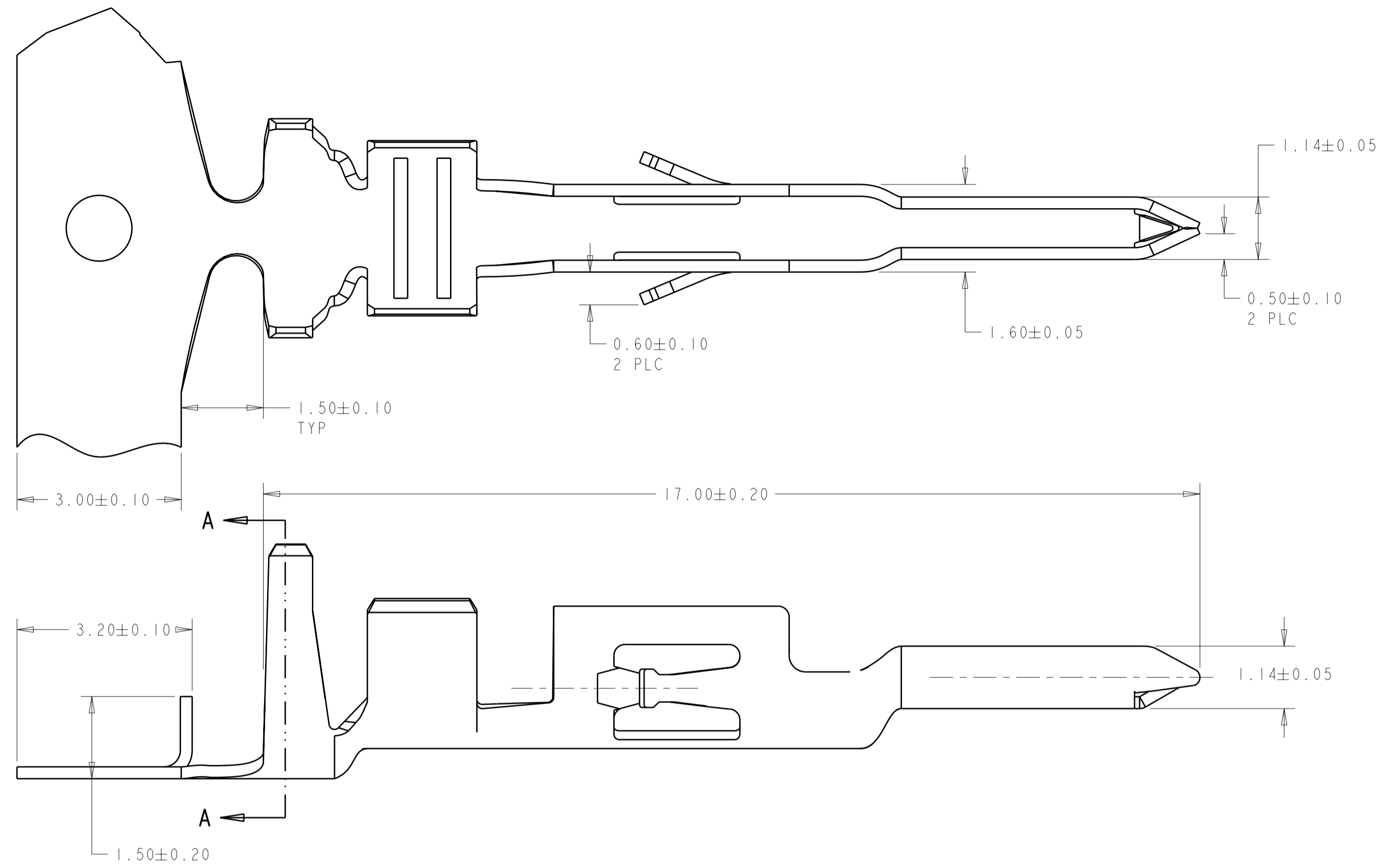
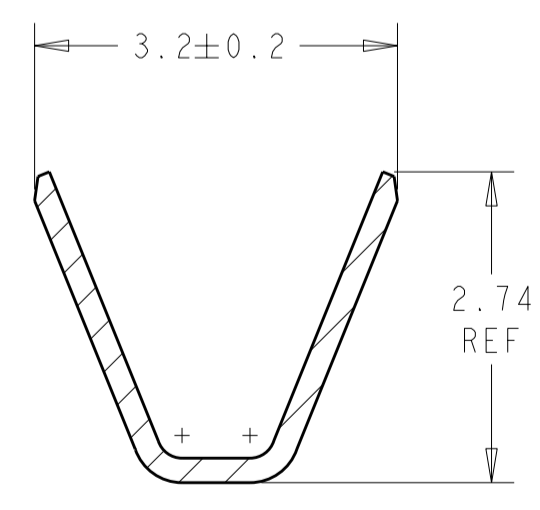
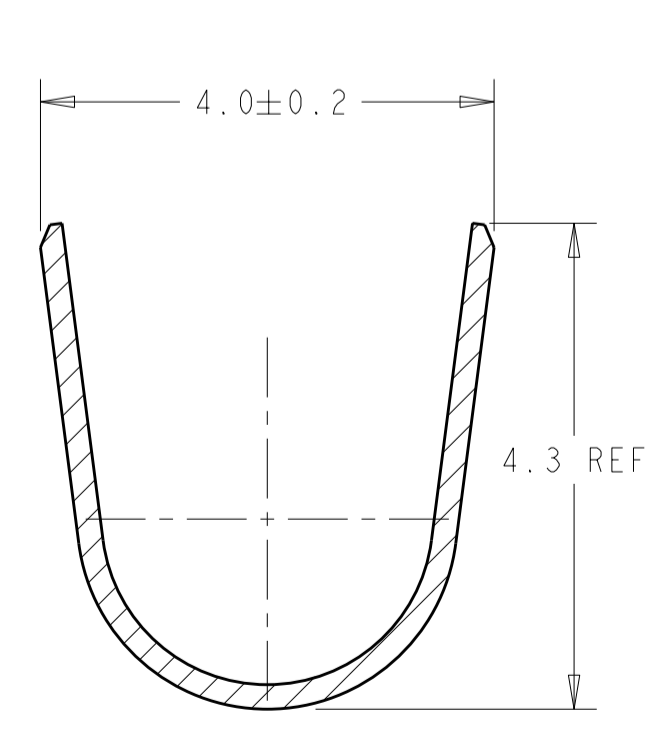


THIS DRAWING IS UNPUBLISHED. RELEASED FOR PUBLICATION 2006
 © COPYRIGHT 2006 BY TYCO ELECTRONICS CORPORATION. ALL RIGHTS RESERVED.

LOC	DIST	REVISIONS			
P	LTR	DESCRIPTION	DATE	DWN	APVD
AD	00	A	REVISED PER ECR-09-026352	09DEC2009	HMR KR



1. WIRE RANGE: 1.31mm²-1.63mm² (16 - 2 X 18 AWG).
2. INSULATION RANGE: 4.40 DIA MAX FOR 2 X 18 AWG AND 2.40 ± 0.10mm DIA FOR 1 X 16 AWG.
- 3 FINISH: TIN PLATE.
- 4 FINISH: CONTACT LUBRICATION.
- 5 FINISH: GOLD PLATE



FINISH	MATERIAL	PART NO
5	HIGH CONDUCTIVITY COPPER	1934184-4
3 4	HIGH CONDUCTIVITY COPPER	1934184-1

THIS DRAWING IS A CONTROLLED DOCUMENT FOR TYCO ELECTRONICS CORPORATION IT IS SUBJECT TO CHANGE AND THE CONTROLLING ENGINEERING ORGANIZATION SHOULD BE CONTACTED FOR THE LATEST REVISION.		DWN: S.J. MAGARO 14NOV2006 CHK: C. RITTER 14NOV2006 APVD: -	Tyco Electronics Harrisburg, PA 17105-3608
DIMENSIONS: mm	TOLERANCES UNLESS OTHERWISE SPECIFIED: 0 PLC ± 1 PLC ± 2 PLC ± 3 PLC ± 4 PLC ± ANGLES ± FINISH	PRODUCT SPEC: 108-2248 APPLICATION SPEC: 114-13195 WEIGHT: -	NAME: CONTACT, MALE AMP-DUAC UPC SIZE: A2 CAGE CODE: 00779 DRAWING NO: 1934184 RESTRICTED TO: -
MATERIAL: -		CUSTOMER DRAWING	
		SCALE: 15:1	SHEET 1 OF 1 REV A