



FCIconnect.com

Copyright FCI.

1

2

List of "HFW__R-5/6STE1LF" customer document

| DOCUMENT NO. | LIST |
|--------------|--|
| SC-HFWR05 | SPEC. |
| JSA97339 | CAT.NO.TABLE FOR 1mm SPACING SMT CONNECTOR (HFW__R-5/6ST_LF) |
| JSA97340 | 1mm SPACING SURFACE MOUNT CIC CONNECCTOR (HFW__R-5ST_LF) |
| JSA97341 | 1mm SPACING SURFACE MOUNT CIC CONNECCTOR (HFW__R-6ST_LF) |
| JSA97342 | CAT.NO.TABLE FOR PLASTIC TAPE PACKAGED 1mm SPACING SMT CONN.(HFW__R-5/6STE1LF) |
| JSA97343 | 1mm SPACING SMT CONNECTOR (HFW__R-5STE1LF) |
| JSA97344 | 1mm SPACING SMT CONNECTOR (HFW__R-6STE1LF) |
| JSA97345 | RECOMMENDED CABLE (CIC) (HFW__R-5/6___) |

| | | | | | | | | | | | |
|-------------|----------|--------------------------|---------|--|--------|----------------|--|---|--|----------------------|--|
| mat'l. code | | surface 58 ISO 1302 ✓ | | tolerance ISO 406 ISO 1101 | | projection | | product family 58NF | | CODE JP | |
| ltr | ecn no | dr | date | tolerances unless otherwise specified | | mm | | title 1mm SPACING CIC CONNECTOR DOCUMENT LIST (Cat. No. : HFW__R-5/6STE1LF) | | | |
| A | J07-0397 | H.T | 7/27/07 | angles | linear | scale X | | dwg no JSA 97346 | | sheet 1 of 1 size A4 | |
| sheet index | | revision sheet | | dr engr chr appd | | | | type Product Customer Drawing | | | |
| | | A | | 7/27/07 7/29/07 7/27/07 7/27/07 | | | | | | Rev A | |

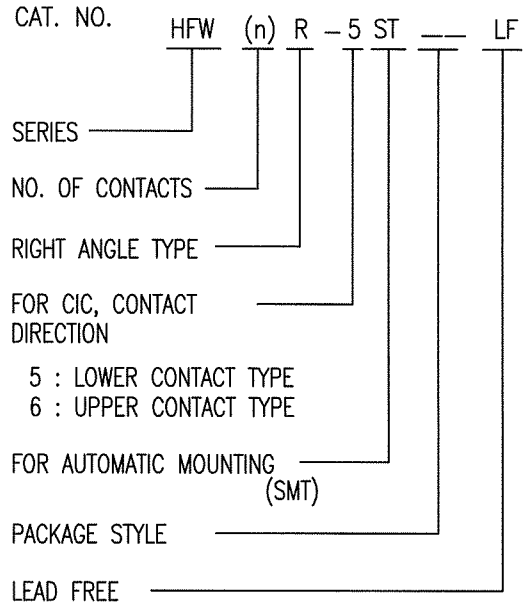
form: A4

1

2

CAT. NO. & DIMENSIONS

| (NOTE3) | NO. OF CONTACTS (n) | CAT. NO. | DIMENSIONS (NOTE2) | | |
|---------|---------------------|------------------|--------------------|---------|---------|
| | | | A ± 0.2 | B ± 0.2 | C ± 0.1 |
| | 4 | HFW4R-5/6ST__LF | 6.6 | 3 | 5.14 |
| | 5 | HFW5R-5/6ST__LF | 7.6 | 4 | 6.14 |
| | 6 | HFW6R-5/6ST__LF | 8.6 | 5 | 7.14 |
| | 7 | HFW7R-5/6ST__LF | 9.6 | 6 | 8.14 |
| | 8 | HFW8R-5/6ST__LF | 10.6 | 7 | 9.14 |
| | 9 | HFW9R-5/6ST__LF | 11.6 | 8 | 10.14 |
| | 10 | HFW10R-5/6ST__LF | 12.6 | 9 | 11.14 |
| | 11 | HFW11R-5/6ST__LF | 13.6 | 10 | 12.14 |
| | 12 | HFW12R-5/6ST__LF | 14.6 | 11 | 13.14 |
| | 13 | HFW13R-5/6ST__LF | 15.6 | 12 | 14.14 |
| | 14 | HFW14R-5/6ST__LF | 16.6 | 13 | 15.14 |
| | 15 | HFW15R-5/6ST__LF | 17.6 | 14 | 16.14 |
| | 16 | HFW16R-5/6ST__LF | 18.6 | 15 | 17.14 |
| | 17 | HFW17R-5/6ST__LF | 19.6 | 16 | 18.14 |
| | 18 | HFW18R-5/6ST__LF | 20.6 | 17 | 19.14 |
| | 19 | HFW19R-5/6ST__LF | 21.6 | 18 | 20.14 |
| | 20 | HFW20R-5/6ST__LF | 22.6 | 19 | 21.14 |
| | 21 | HFW21R-5/6ST__LF | 23.6 | 20 | 22.14 |
| | 22 | HFW22R-5/6ST__LF | 24.6 | 21 | 23.14 |
| | 23 | HFW23R-5/6ST__LF | 25.6 | 22 | 24.14 |
| | 24 | HFW24R-5/6ST__LF | 26.6 | 23 | 25.14 |
| | 25 | HFW25R-5/6ST__LF | 27.6 | 24 | 26.14 |
| | 26 | HFW26R-5/6ST__LF | 28.6 | 25 | 27.14 |
| | 27 | HFW27R-5/6ST__LF | 29.6 | 26 | 28.14 |
| * | 28 | HFW28R-5/6ST__LF | 30.6 | 27 | 29.14 |
| * | 29 | HFW29R-5/6ST__LF | 31.6 | 28 | 30.14 |
| | 30 | HFW30R-5/6ST__LF | 32.6 | 29 | 31.14 |

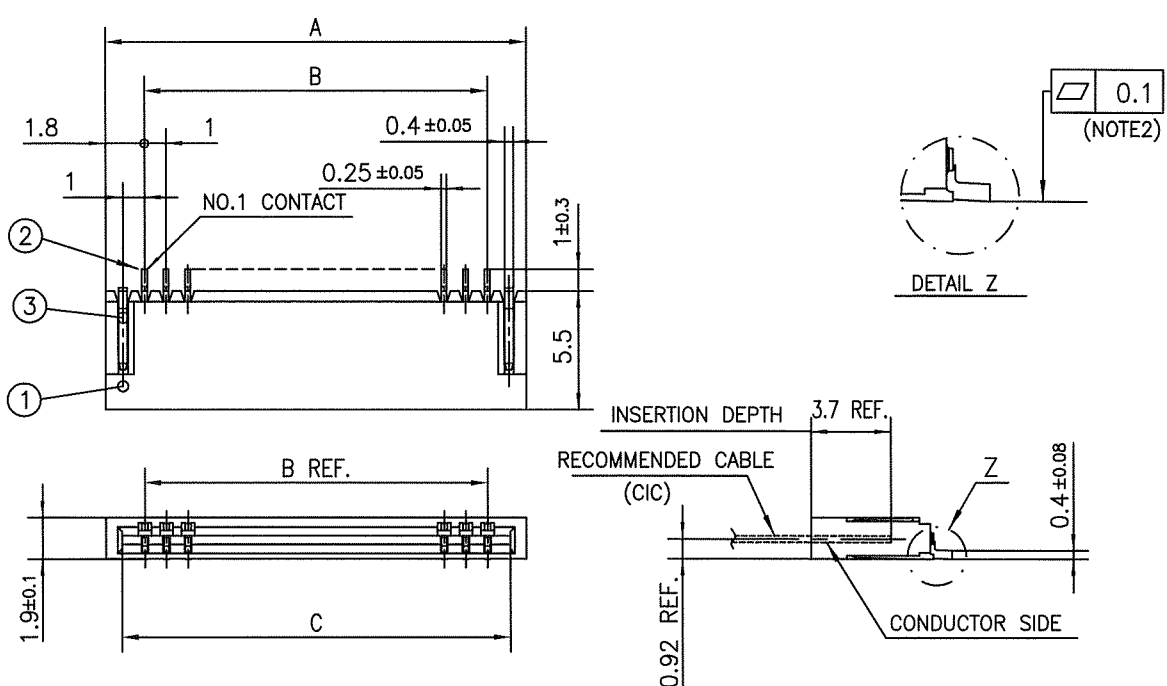


NOTES

1. THIS PRODUCT IS THE CONNECTOR DESIGNED TO TERMINATE CIC AND COPES WITH AUTOMATIC MOUNTING (SMT).
2. SEE PART DRAWINGS FOR DIMENSIONS A~C.
3. PLEASE CONSULT US IN CASE OF USING PARTS WITH * MARK.

| | | | | | | |
|-------------|----------|--|---------|---------------------------------------|--|---------|
| mat'l. code | | surface 58 / tolerance ISO 1302 ✓ / ISO 406 / ISO 1101 | | projection | product family 58NF | CODE JP |
| ltr | ecn no | dr | date | tolerances unless otherwise specified | title | |
| A | J07-0397 | H.T. | 7/27/07 | angles linear | CAT. NO. TABLE FOR 1mm SPACING SMT CONNECTOR (Cat. No. HFW__R-5/6ST__LF) | |
| | | | | mm | dwg no sheet 1 of 1 size | |
| | | | | scale X | JSA 97339 A4 | |
| | | | | dr | type Product Customer Drawing | |
| | | | | enr | | |
| | | | | chr | | |
| | | | | app | | |
| sheet index | revision | A | | | | Rev. A |
| | sheet | 1 | | | | |

SC-HFWR05 form: A4 JSA97340 97341 97342 97343 97344 97345



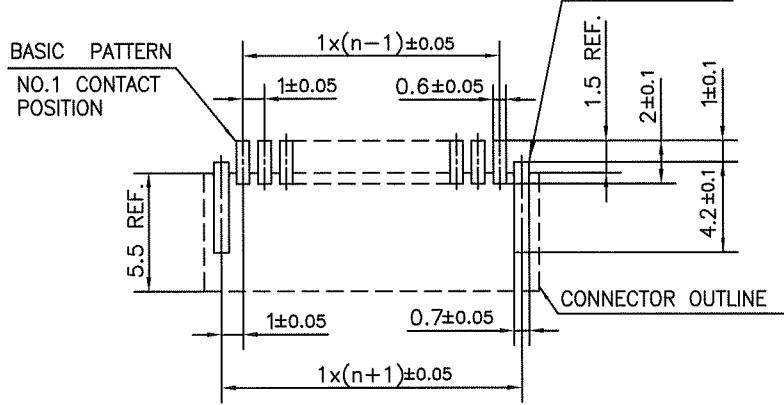
| PT. NO. | PARTS NAME | MATERIAL | Q'TY | NOTE |
|---------|----------------|---------------------------------------|------|-------------|
| 1 | HOUSING | PA6T RESIN GLASS REINFORCED (UL94V-0) | 1 | COLOR:BLACK |
| 2 | CONTACT | PHOSPHOR BRONZE | n | PLATING:TIN |
| 3 | MOUNTING PLATE | | 2 | (LEAD FREE) |

n : NO. OF CONTACTS

NOTES

1. THIS PRODUCT IS THE CONNECTOR DESIGNED TO TERMINATE CIC AND COPE WITH AUTOMATIC MOUNTING (SMT).
2. FLATNESS OF CONTACT TERMINAL FOR HOUSING MUST BE WITHIN TOLERANCE IN Z PORTION DETAILED DRAWING.
3. THIS PRODUCT IS LOWER CONTACT TYPE CONNECTOR.
4. THIS PRODUCT MEETS EUROPEAN UNION DIRECTIVES AND OTHER COUNTRY REGULATIONS AS DESCRIBED IN GS-22-008
5. THE HOUSING WILL WITHSTAND EXPOSURE TO 260°C PEAK TEMPERATURE FOR 10 SECONDS IN A REFLOW SOLDERING OVEN.

RECOMMENDED PC BOARD LAYOUT (COMPONENT SIDE)



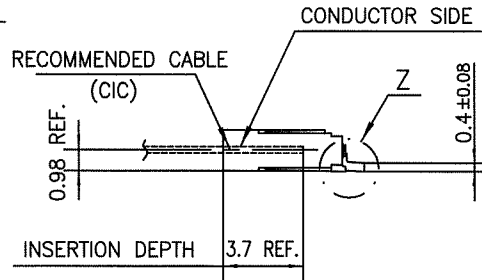
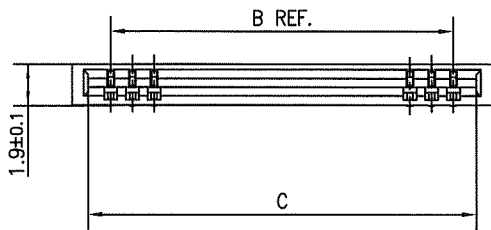
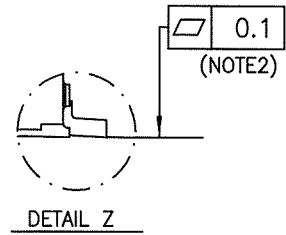
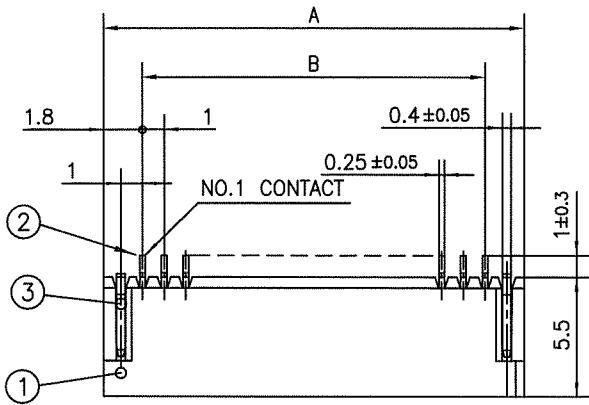
| | | | | | | |
|-------------|----------|--|---------|---|--|---------|
| mat'l. code | | surface 58 / tolerance ISO 1302 ✓ / ISO 406 / ISO 1101 | | projection | product family 58NF | CODE JP |
| ltr | ecn no | dr | date | tolerances, unless otherwise specified ±0.2 | title | |
| A | J07-0397 | H.T | 7/27/07 | angles linear | 1mm SPACING SURFACE MOUNT CIC CONNECTOR (Cat.No. HFW__R-5ST__LF) | |
| | | | | mm | dwg no JSA 97340 sheet 1 of 1 size A4 | |
| | | | | scale X | type Product Customer Drawing | |
| sheet index | | revision sheet | A 1 | FCI | | |

SC-HFWR JSA97339 Form: A4



FCIconnect.com

Copyright FCI.

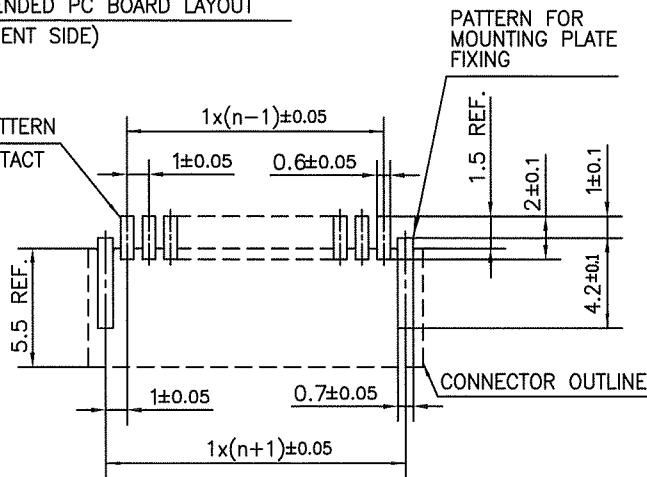


| PT. NO. | PARTS NAME | MATERIAL | Q'TY | NOTE |
|---------|----------------|---------------------------------------|------|-------------|
| 1 | HOUSING | PA6T RESIN GLASS REINFORCED (UL94V-0) | 1 | COLOR:BLACK |
| 2 | CONTACT | PHOSPHOR BRONZE | n | PLATING:TIN |
| 3 | MOUNTING PLATE | | 2 | (LEAD FREE) |

n : NO. OF CONTACTS

RECOMMENDED PC BOARD LAYOUT (COMPONENT SIDE)

BASIC PATTERN NO.1 CONTACT POSITION



NOTES

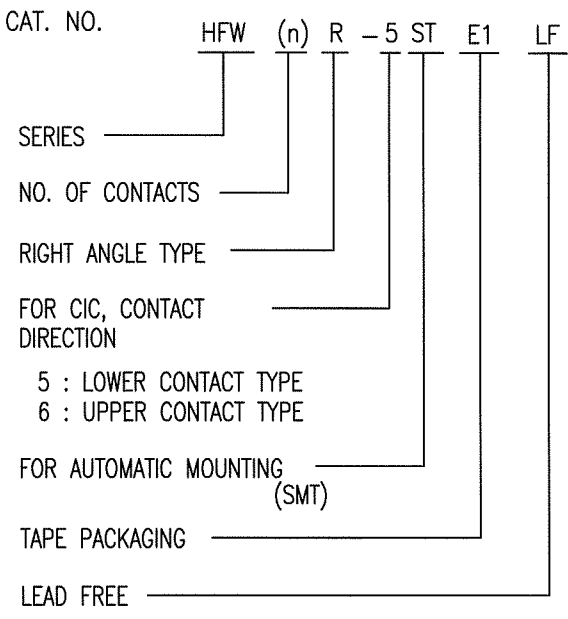
1. THIS PRODUCT IS THE CONNECTOR DESIGNED TO TERMINATE CIC AND COPE WITH AUTOMATIC MOUNTING (SMT).
2. FLATNESS OF CONTACT TERMINAL FOR HOUSING MUST BE WITHIN TOLERANCE IN Z PORTION DETAILED DRAWING.
3. THIS PRODUCT IS UPPER CONTACT TYPE CONNECTOR.
4. THIS PRODUCT MEETS EUROPEAN UNION DIRECTIVES AND OTHER COUNTRY REGULATIONS AS DESCRIBED IN GS-22-008
5. THE HOUSING WILL WITHSTAND EXPOSURE TO 260°C PEAK TEMPERATURE FOR 10 SECONDS IN A REFLOW SOLDERING OVEN.

| | | | | | | |
|-------------|------------|--|---------|--|--|----------------------|
| mat'l. code | | surface 58 / tolerance ISO 1302 ✓ / ISO 406 / ISO 1101 | | projection | product family 58NF | CODE JP |
| ltr | ecn no | dr | date | tolerances unless otherwise specified ±0.2 | title 1mm SPACING SURFACE MOUNT CIC CONNECTOR (Cat. No. HFWR__R-6ST__LF) | sheet 1 of 1 size A4 |
| A | J07-0397 | H.T. | 7/27/07 | | | |
| | | | | angles linear | mm | |
| | | | | scale X | dwg no JSA 97341 | |
| | | | | type Product Customer Drawing | | |
| sheet index | revision A | | | Rev. A | | |
| sheet 1 | | | | | | |

SC-HFWR05 JSA97339 form: A4

CAT. NO. & DIMENSIONS

| (NOTE4) | NO. OF CONTACTS (n) | CAT. NO. (NOTE2) | DIMENSIONS (NOTE3) | | |
|---------|---------------------|------------------|--------------------|---------|---------|
| | | | E ± 5 | F ± 0.3 | G ± 0.1 |
| | 4 | HFW4R-5/6STE1LF | 28.4 | 24 | — |
| | 5 | HFW5R-5/6STE1LF | 28.4 | 24 | — |
| | 6 | HFW6R-5/6STE1LF | 28.4 | 24 | — |
| | 7 | HFW7R-5/6STE1LF | 28.4 | 24 | — |
| | 8 | HFW8R-5/6STE1LF | 28.4 | 24 | — |
| | 9 | HFW9R-5/6STE1LF | 28.4 | 24 | — |
| | 10 | HFW10R-5/6STE1LF | 28.4 | 24 | — |
| | 11 | HFW11R-5/6STE1LF | 28.4 | 24 | — |
| | 12 | HFW12R-5/6STE1LF | 28.4 | 24 | — |
| | 13 | HFW13R-5/6STE1LF | 28.4 | 24 | — |
| | 14 | HFW14R-5/6STE1LF | 28.4 | 24 | — |
| | 15 | HFW15R-5/6STE1LF | 36.4 | 32 | 28.4 |
| | 16 | HFW16R-5/6STE1LF | 36.4 | 32 | 28.4 |
| | 17 | HFW17R-5/6STE1LF | 36.4 | 32 | 28.4 |
| | 18 | HFW18R-5/6STE1LF | 36.4 | 32 | 28.4 |
| | 19 | HFW19R-5/6STE1LF | 48.4 | 44 | 40.4 |
| | 20 | HFW20R-5/6STE1LF | 48.4 | 44 | 40.4 |
| | 21 | HFW21R-5/6STE1LF | 48.4 | 44 | 40.4 |
| | 22 | HFW22R-5/6STE1LF | 48.4 | 44 | 40.4 |
| | 23 | HFW23R-5/6STE1LF | 48.4 | 44 | 40.4 |
| | 24 | HFW24R-5/6STE1LF | 48.4 | 44 | 40.4 |
| | 25 | HFW25R-5/6STE1LF | 48.4 | 44 | 40.4 |
| | 26 | HFW26R-5/6STE1LF | 48.4 | 44 | 40.4 |
| | 27 | HFW27R-5/6STE1LF | 48.4 | 44 | 40.4 |
| * | 28 | HFW28R-5/6STE1LF | 48.4 | 44 | 40.4 |
| * | 29 | HFW29R-5/6STE1LF | 48.4 | 44 | 40.4 |
| | 30 | HFW30R-5/6STE1LF | 60.4 | 56 | 52.4 |



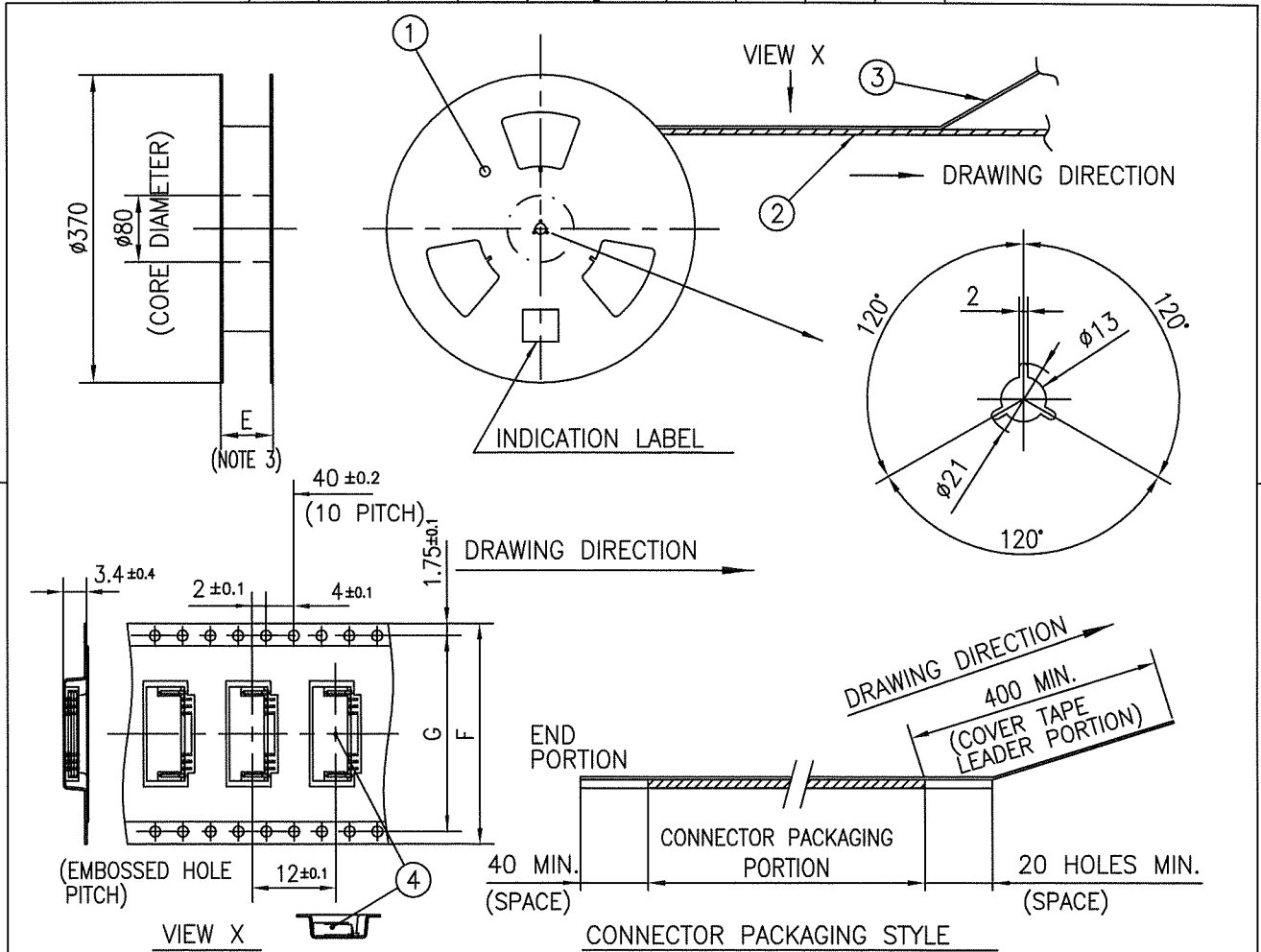
- NOTES
1. THIS PRODUCT IS THE CONNECTOR DESIGNED TO TERMINATE CIC AND COPES WITH AUTOMATIC MOUNTING (SMT).
 2. THIS CATALOG NO. INDICATES PLASTIC TAPE PACKAGED CONNECTOR.
 3. SEE PART DRAWINGS FOR DIMENSIONS E~G.
 4. PLEASE CONSULT US IN CASE OF USING PARTS WITH * MARK.



FCIconnect.com

Copyright FCI.

| | | | | | | | | | |
|-------------|--|-----------------------------------|--|------------|--|----------------|--|---|--|
| mat'l. code | | surface ⁵⁸ / tolerance | | projection | | product family | | CODE | |
| | | ISO 1302 ✓ / ISO 406 / ISO 1101 | | | | 58NF | | JP | |
| ltr | | ecn no | | dr | | date | | title | |
| A | | J07-0397 | | H.T | | 7/27/07 | | CAT. NO. TABLE FOR PLASTIC TAPE PACKAGED 1mm SPACING SMT CONN. (Cat.No. HFW__R-5/6STE1LF) | |
| | | | | angles | | linear | | mm | |
| | | | | | | | | scale X | |
| | | dr | | 7/27/07 | | FCI | | dwg no | |
| | | enr | | 7/27/07 | | | | sheet 1 of 1 | |
| | | chr | | 7/29/07 | | | | JSA 97342 | |
| | | appd | | 7/20/07 | | | | size | |
| | | | | | | | | A4 | |
| sheet index | | revision | | A | | | | type | |
| sheet | | 1 | | | | | | Product Customer Drawing | |
| | | | | | | | | Rev | |
| | | | | | | | | A | |



| PT. NO. | PARTS NAME | CAT. NO. | MATERIAL | Q'TY | NOTE |
|---------|------------------------|-----------------|-------------------|------|--------------------|
| 1 | REEL | --- | CARDBOARD | 1 | COLOR:WHITE |
| 2 | PLASTIC (EMBOSED) TAPE | --- | PET | --- | COLOR:TRANSPARENCY |
| 3 | COVER | --- | POLYESTER | --- | COLOR:TRANSPARENCY |
| 4 | CONNECTOR | HFWR__R-5ST__LF | SEE ATTACHED DWG. | 2000 | LOWER CONTACT TYPE |

NOTES

1. THIS IS PLASTIC TAPE PACKAGED CONNECTOR DESIGNED TO TERMINATE CIC AND COPES WITH AUTOMATIC MOUNTING (SMT).
2. SEE JIS C 0806 (PACKING OF ELECTRONIC COMPONENTS ON CONTINUOUS TAPES (SURFACE MOUNTING DEVICES)) FOR SHAPE AND DIMENSIONS OF PLASTIC (EMBOSED) TAPE AND REEL.
3. E DIMENSION IS PORTION OF THE CORE.

| | | | | | | | | | |
|-------------|----------|--|---------|---------------------------------------|--------|-------------------------------|------|---|--|
| mat'l. code | | surface 58 / tolerance ISO 1302 ✓ / ISO 406 / ISO 1101 | | projection | | product family 58NF | | CODE JP | |
| ltr | ecn no | dr | date | tolerances unless otherwise specified | | title | | 1mm SPACING SMT CONNECTOR (Cat.No. HFWR__R-5STE1LF) | |
| A | J07-0397 | H.T | 7/27/07 | angles | linear | mm | | scale X | |
| | | | | ±5' | | mm | | scale X | |
| | | | | dr | engr | chr | appd | 7/27/07 | |
| | | | | | | | | 7/27/07 | |
| | | | | | | | | 7/27/07 | |
| sheet index | | revision A | | sheet 1 | | dwg no JSA 97343 | | sheet 1 of 1 size A4 | |
| | | | | | | type Product Customer Drawing | | Rev A | |

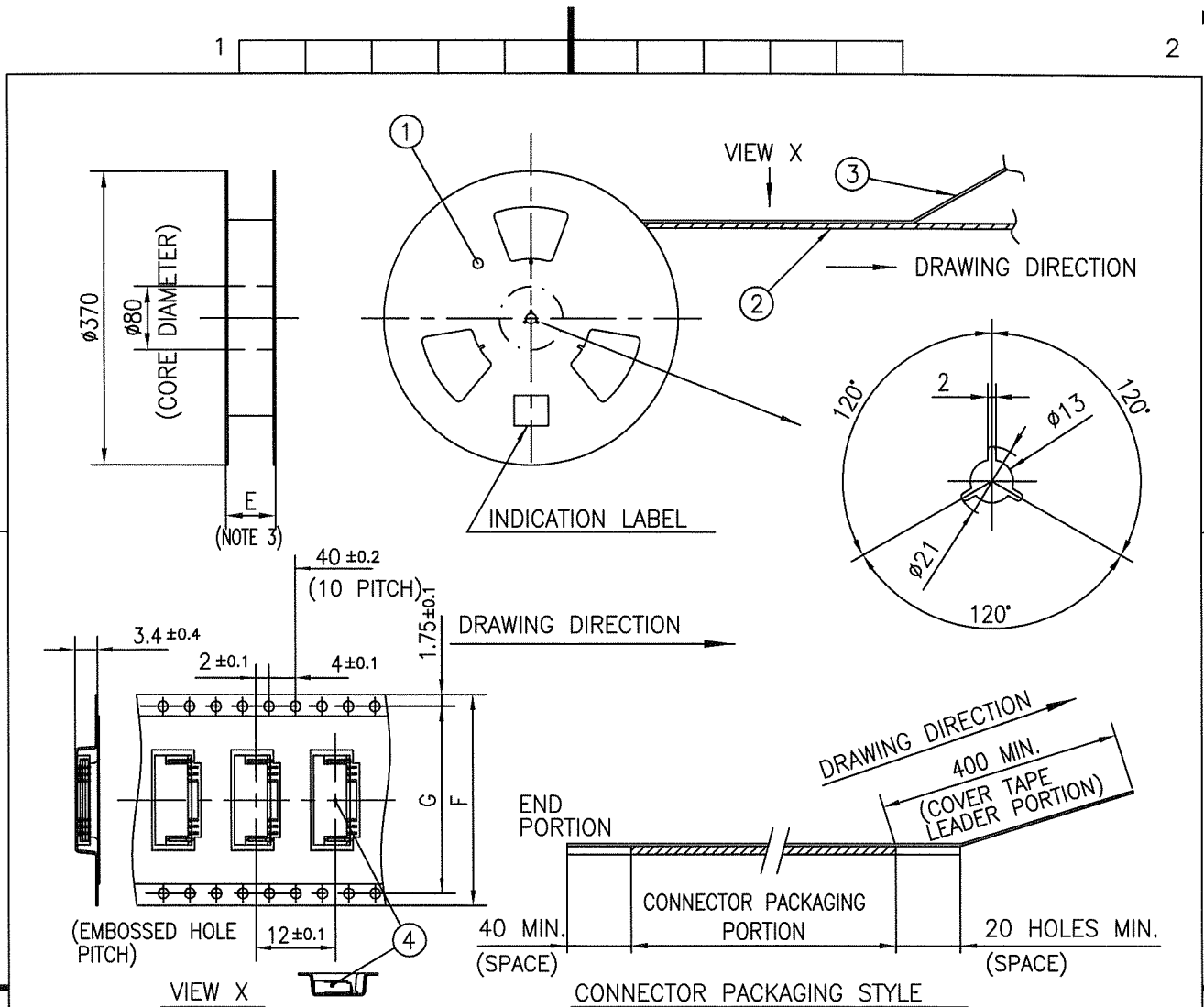
SC-HFWR05 JSA97342 form: A4



FCIconnect.com

Copyright FCI.





| PT. NO. | PARTS NAME | CAT. NO. | MATERIAL | Q'TY | NOTE |
|---------|-----------------------|-----------------|-------------------|-------|--------------------|
| 1 | REEL | _____ | CARDBOARD | 1 | COLOR:WHITE |
| 2 | PLASTIC (EMBOSS) TAPE | _____ | PET | _____ | COLOR:TRANSPARENCY |
| 3 | COVER | _____ | POLYESTER | _____ | COLOR:TRANSPARENCY |
| 4 | CONNECTOR | HFWR__R-6ST__LF | SEE ATTACHED DWG. | 2000 | UPPER CONTACT TYPE |

NOTES

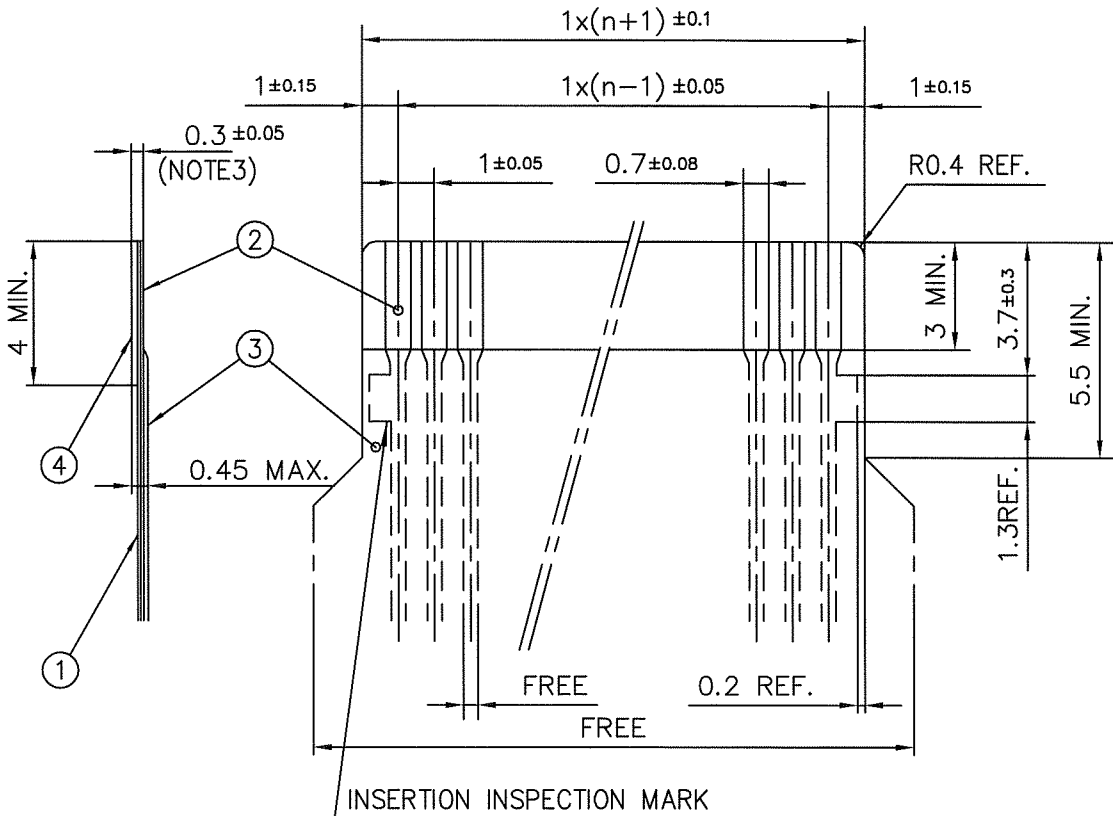
1. THIS IS PLASTIC TAPE PACKAGED CONNECTOR DESIGNED TO TERMINATE CIC AND COPES WITH AUTOMATIC MOUNTING (SMT).
2. SEE JIS C 0806 (PACKING OF ELECTRONIC COMPONENTS ON CONTINUOUS TAPES (SURFACE MOUNTING DEVICES)) FOR SHAPE AND DIMENSIONS OF PLASTIC (EMBOSS) TAPE AND REEL.
3. E DIMENSION IS PORTION OF THE CORE.

| | | | | | | |
|-------------|----------|--|--------------------------------|---------------------------------------|---|---------------------|
| mat'l. code | | surface 58 / tolerance ISO 1302 ✓ / ISO 406 / ISO 1101 | | projection | product family 58NF | CODE JP |
| ltr | ecn no | dr | date | tolerances unless otherwise specified | title 1mm SPACING SMT CONNECTOR (Cat.No. HFWR__R-6STE1LF) | dwg no JSA 97344 |
| A | J07-0397 | H.T | 7/27/07 | angles ±5° linear | | |
| | | | | mm | sheet 1 of 1 | size A4 |
| | | | | scale X | type Product Customer Drawing | |
| sheet index | | revision A | dr <i>[Signature]</i> 7/27/07 | | Rev A | |
| sheet 1 | | | enr <i>[Signature]</i> 7/27/07 | | | |
| | | | chr <i>[Signature]</i> 7/27/07 | | | |
| | | | app <i>[Signature]</i> 7/27/07 | | | |

SC-HFWR05 JSA97342 form: A4

RECOMMENDED CABLE (CIC)

n : NO. OF CONDUCTORS



| PT. NO. | DESCRIPTION | MATERIAL | THICKNESS (μm) | |
|---------|-----------------|--------------------------------------|----------------|-----|
| 1 | BASE FILM | POLYIMIDE OR POLYESTER OR EQUIVALENT | 75 | 25 |
| 2 | CONDUCTOR | CARBON PASTE OVER SIVER PASTE | 10MIN. | |
| 3 | OVERLAY | POLYIMIDE OR POLYESTER OR EQUIVALENT | — | |
| 4 | SUPPORTING TAPE | POLYESTER OR POLYIMIDE OR EQUIVALENT | 188 | 250 |

NOTES

1. NO BURR AT EACH PORTION.
2. NO PEELING IN COMMON USE.
3. TOTAL THICKNESS LIMIT OF EACH MATERIAL (INCLUDING ADHESIVE AGENT) IS SPECIFIED.

| | | | | | | | | | | | |
|-------------------------|--|----------------|--|--|--|------------|--|--|--|-------------------|--|
| mat'l. code | | | | surface 58 / tolerance ISO 1302 ✓ / ISO 406 / ISO 1101 | | projection | | product family 58NF | | CODE JP | |
| ltr | | | | tolerances unless otherwise specified | | mm | | title | | | |
| A J07-0397 H.T. 7/27/07 | | | | angles linear | | mm | | RECOMMENDED CABLE (CIC) (Cat. No. HFW__R-5/6__) | | | |
| | | | | dr | | scale X | | dwg no | | sheet 1 of 1 size | |
| | | | | enr | | FCJ | | JSA 97345 | | A4 | |
| | | | | chr | | | | type Product Customer Drawing | | | |
| | | | | appd | | | | | | | |
| sheet index | | revision sheet | | A 1 | | | | | | Rev A | |



FCIconnect.com

Copyright FCI.