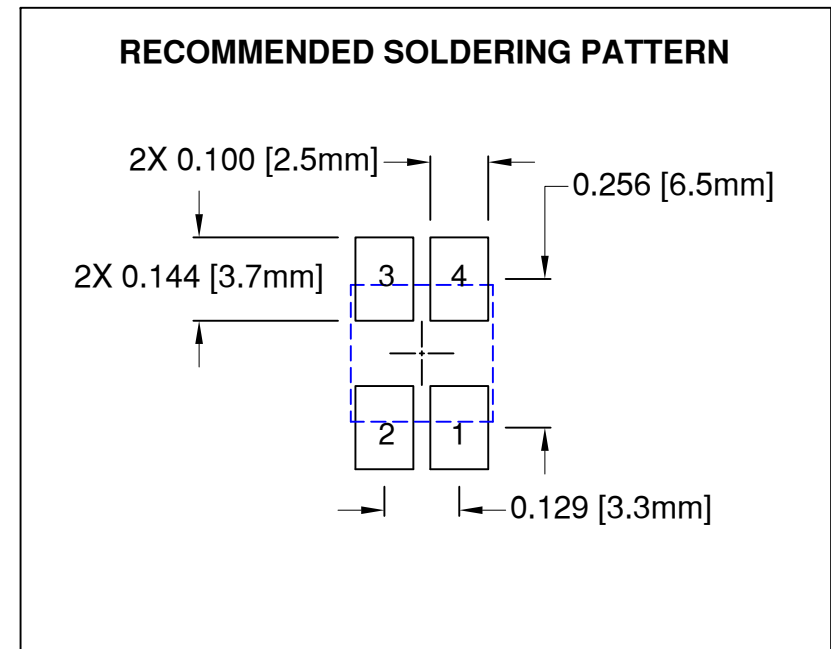
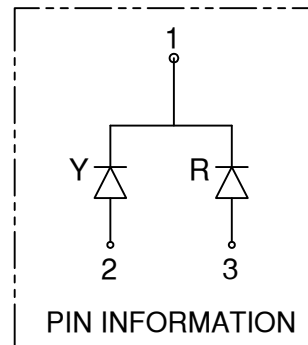


REV.	DESCRIPTION	DATE	APPROVED
B	Engineering Release	02/27/15	J. C.
C	Revised Side View, See Page 4	03/20/15	J. C.
D	Corrected Typo in Recom. Soldering Pattern	09/12/16	J. C.



### ABSOLUTE MAXIMUM RATINGS at Ta=25°C

REVERSE VOLTAGE	5V
REVERSE CURRENT	100µA
OPERATING TEMPERATURE RANGE	-35°C - 85°C
STORAGE TEMPERATURE	-35°C - 85°C
MAX SOLDERING TEMPERATURE	260°C FOR 3 SECONDS

#### NOTES:


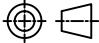
- DERATING OF FORWARD CURRENT PER SEGMENT, 0.30mA/°C at T ≥ 25°C
- ACCEPTS BIVAR FLEXIBLE LIGHT PIPE STYLE FLPS2031

STANDARD TOLERANCE (UNLESS OTHERWISE SPECIFIED)		 4 THOMAS, IRVINE, CA. 92618 TEL: (949) 951-8808 FAX: (949) 951-3974	
DECIMALS	ANGULAR		
.X ± .1	X° ± 1°		
.XX ± .02		 <b>TITLE:</b> SMT FLP VERTICAL ADAPTER BI-COLOR, RED/YELLOW	
.XXX ± .010			
DESIGNED: <b>A. Wright</b>	DATE: <b>03/13/14</b>	<b>PART NO:</b> SMTV01-RXXYXX	REVISION: <b>D</b>
CHECKED: <b>B. Oliver</b>	DATE: <b>03/13/14</b>	<b>CAGE CODE :</b> 32559	<b>SHEET # 1 OF 4</b>
CAD GENERATED DOCUMENT. DO NOT MEASURE DRAWING.			

REV.	DESCRIPTION	DATE	APPROVED
	SEE SHEET #1		

Part Number	Chip				Absolute Maximum Ratings Per Segment			Electro-Optical Data @20mA, 25°C			
	Emitted Color	$\lambda_D$ [nm]			$P_d$ [mW]	$I_f$ [mA]	Peak $I_f$ [mA]	$V_f$ [V]			$I_v$ [mcd]
		MIN	TYP	MAX				MIN	TYP	MAX	TYP
SMTV01-R08Y08	RED	625	628	630	60	25	100	1.7	2.1	2.6	78
	YELLOW	585	590	595	60	25	100	1.8	2.1	2.6	82
SMTV01-R15Y11	RED	625	628	630	60	25	100	1.7	2.1	2.6	150
	YELLOW	585	590	595	60	25	100	1.8	2.1	2.6	110
SMTV01-R16Y14	RED	625	628	630	60	25	100	1.7	2.1	2.6	163
	YELLOW	585	590	595	60	25	100	1.8	2.1	2.6	143

Note: 10% Duty Cycle, Pulse Width  $\leq 0.1$  msec for Peak  $I_f$ .

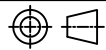
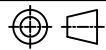
STANDARD TOLERANCE ( UNLESS OTHERWISE SPECIFIED )		 4 THOMAS, IRVINE, CA. 92618 TEL: (949) 951-8808 FAX: (949) 951-3974	
DECIMALS	ANGULAR		
.X $\pm .1$	X° $\pm 1^\circ$		
.XX $\pm .02$			
.XXX $\pm .010$		<b>TITLE:</b> SMT FLP VERTICAL ADAPTER BI-COLOR, RED/YELLOW	
DESIGNED: <b>A. Wright</b>	DATE: <b>03/13/14</b>	<b>PART NO:</b> SMTV01-RXXYXX	
CHECKED: <b>B. Oliver</b>	DATE: <b>03/13/14</b>	<b>REVISION:</b> D	
		<b>CAGE CODE :</b> 32559 <b>SHEET #</b> 2 OF 4	
CAD GENERATED DOCUMENT. DO NOT MEASURE DRAWING.			

REV.	DESCRIPTION	DATE	APPROVED
	SEE SHEET #1		

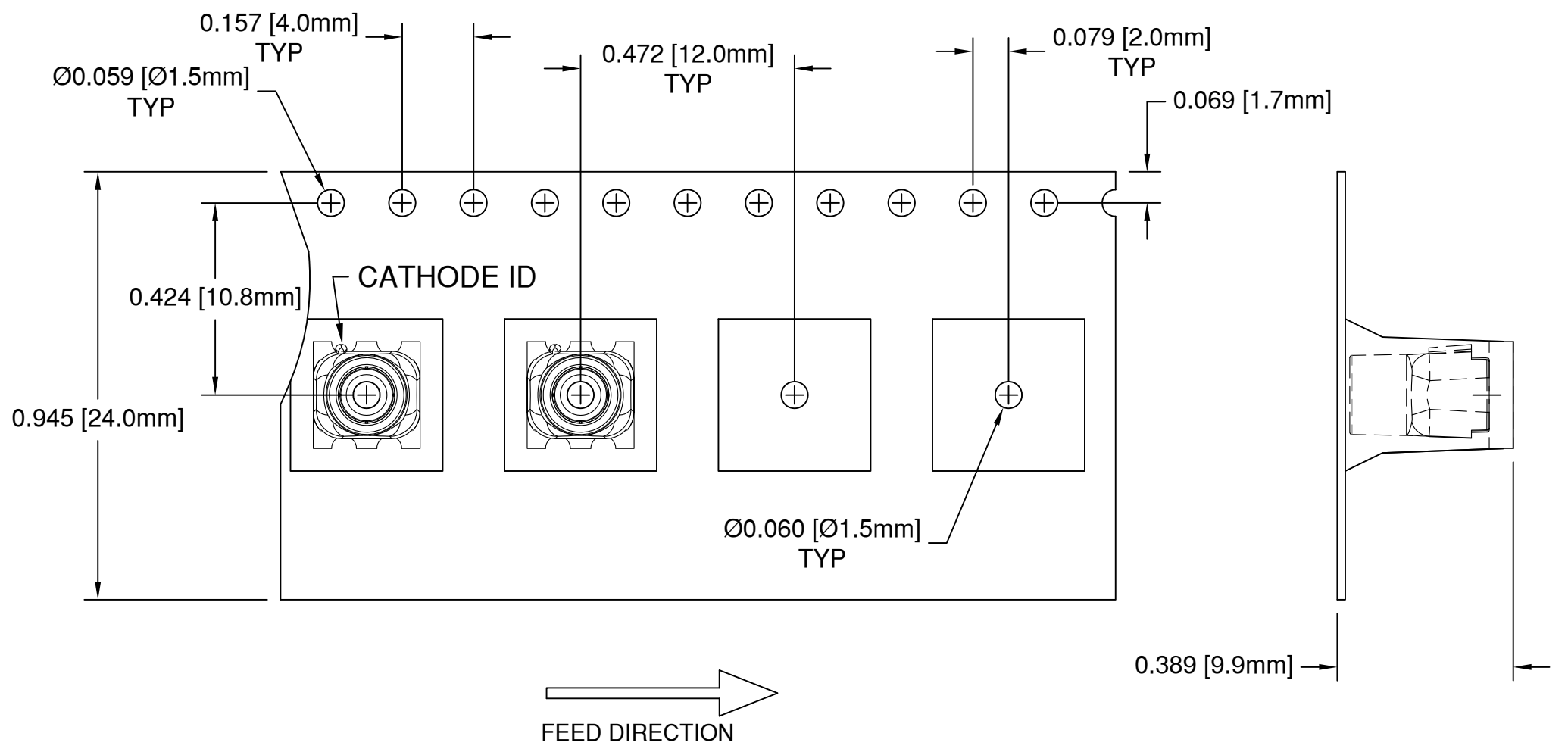
## Recommended Reflow Soldering Profile




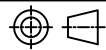
**NOTE:**  
1. Do not clean after soldering. Only use no-clean solder paste.

STANDARD TOLERANCE ( UNLESS OTHERWISE SPECIFIED )		 <b>BIVAR</b> <sup>®</sup> 4 THOMAS, IRVINE, CA. 92618 TEL: (949) 951-8808 FAX: (949) 951-3974			
DECIMALS	ANGULAR				
.X ± .1	X° ± 1°		<b>TITLE:</b> SMT FLP VERTICAL ADAPTER BI-COLOR, RED/YELLOW		
.XX ± .02					
.XXX ± .010		<b>DESIGNED:</b> <b>A. Wright</b>	<b>DATE:</b> <b>03/13/14</b>	<b>PART NO:</b> SMTV01-RXXYXX	<b>REVISION:</b> D
<b>CHECKED:</b> <b>B. Oliver</b>		<b>DATE:</b> <b>03/13/14</b>		<b>CAGE CODE :</b> 32559	<b>SHEET #</b> 3 <b>OF</b> 4
CAD GENERATED DOCUMENT. DO NOT MEASURE DRAWING.					

REV.	DESCRIPTION	DATE	APPROVED
	SEE SHEET #1		



NOTES:  
 3. MOISTURE SENSITIVITY LEVEL: 4  
 2. UNLESS OTHERWISE SPECIFIED, PACKAGING TO COMPLY WITH EIA-481-D  
 1. 500 pcs PER REEL

STANDARD TOLERANCE (UNLESS OTHERWISE SPECIFIED)		 4 THOMAS, IRVINE, CA. 92618 TEL: (949) 951-8808 FAX: (949) 951-3974	
DECIMALS	ANGULAR		
.X ± .1 .XX ± .02 .XXX ± .010	X° ± 1°		
DESIGNED: <b>A. Wright</b>	DATE: <b>03/13/14</b>	 <b>TITLE:</b> SMT FLP VERTICAL ADAPTER BI-COLOR, RED/YELLOW	REVISION: <b>D</b>
CHECKED: <b>B. Oliver</b>	DATE: <b>03/13/14</b>		<b>PART NO:</b> SMTV01-RXXYXX <b>CAGE CODE :</b> 32559 <b>SHEET #</b> 4 OF 4
CAD GENERATED DOCUMENT. DO NOT MEASURE DRAWING.			