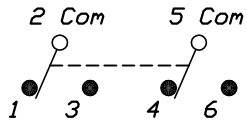
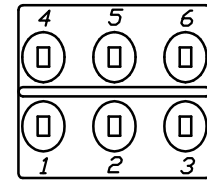
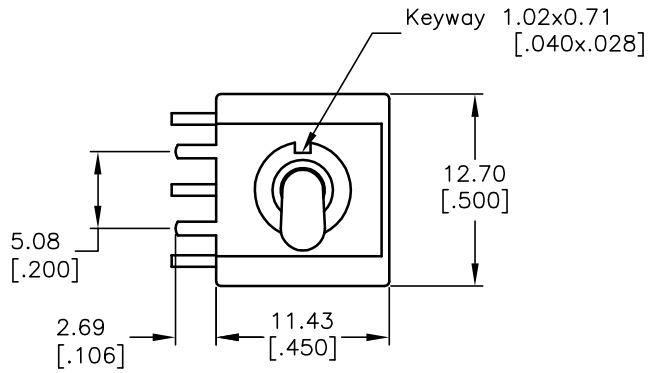


RECOMMEND P.C.B. LAYOUT

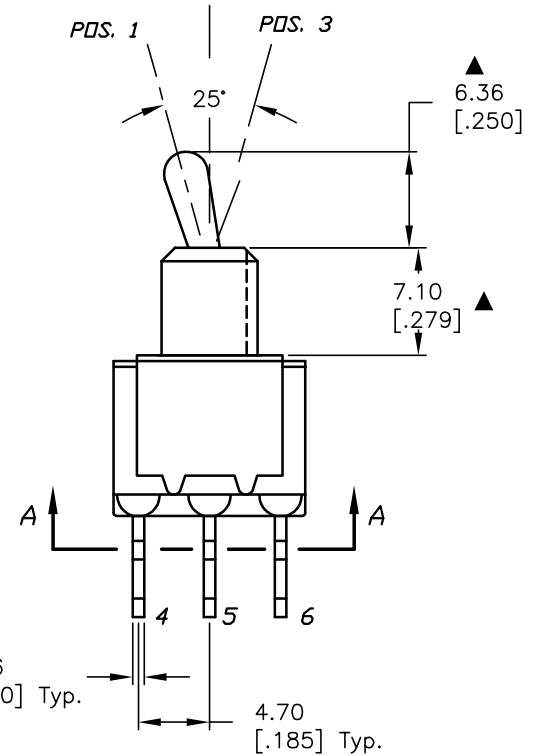
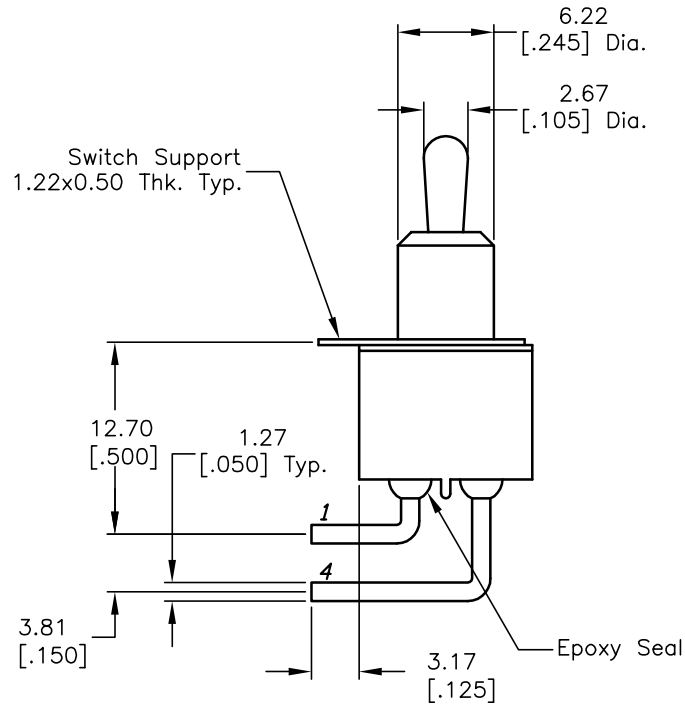


CIRCUIT: DPDT CONTACT CONFIGURATION

SWITCH FUNCTION		
PDS. 1	PDS. 2	PDS. 3
ON	NONE	ON
2-3, 5-6	OPEN	2-1, 5-4



VIEW A-A



NOTES:

1. ALL DIMENSIONS IN MM [INCH]
2. GENERAL TOLERANCE: X.X=±0.4
X.XX=±0.25
3. TERM. NOS. FOR REF. ONLY
4. RATING: 0.4 VOLT-AMPS MAX. @ 20V MAX AC OR DC
- ▲ 5. FIXED TERM. & MOVING CONTACT:
Copper Alloy W/GOLD PLATE OVER NICKLE PLATE.
6. ELECTRICAL LIFE: 50,000 MAKE-AND-BREAK CYCLES
AT FULL LOAD.
7. INSULATION RESISTANCE: 1,000M OHM MIN.
8. DIELECTRIC STRENGTH: 1,000V RMS @SEA LEVEL.
9. OPERATING TEMP.: -30°C to +85°C.
10. ▲ DENOTES CRITICAL PARAMETER.

E-SWITCH®

A	13638	RELEASED FOR PRODUCTION	12/4/03	AR
REV.	ECN No.	DESCRIPTION	DATE	CHKD

THE INFORMATION CONTAINED IN THIS DOCUMENT IS PROPRIETARY TO E-SWITCH AND IS NOT TO BE COPIED OR TRANSFERRED

TITLE				
100DP1T2B4M6RE				
SCALE	DATE	DR	DWG	REV
2:1	12/4/03	AR	T121044	A