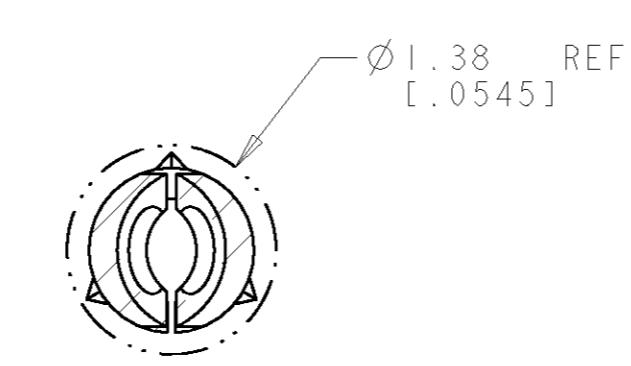
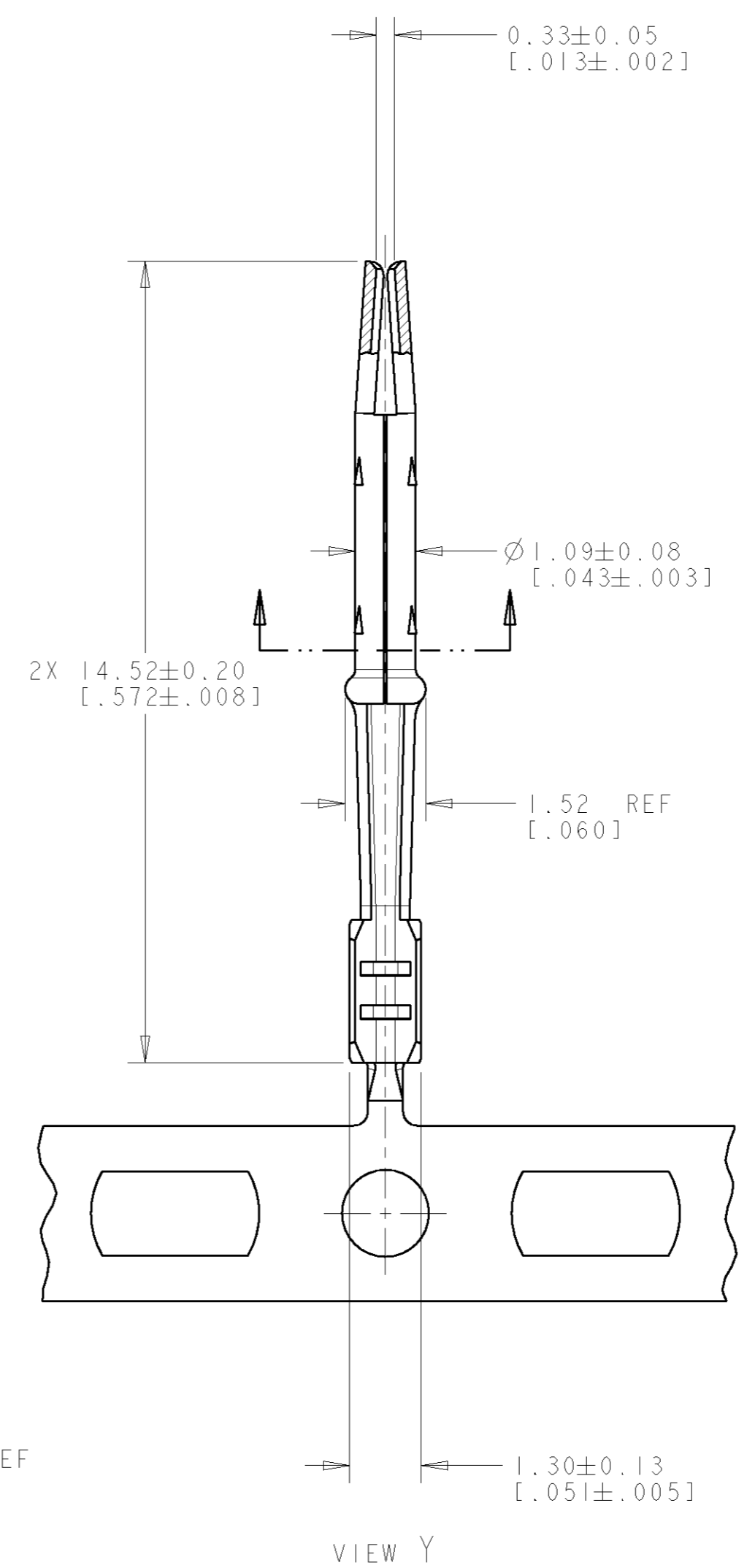
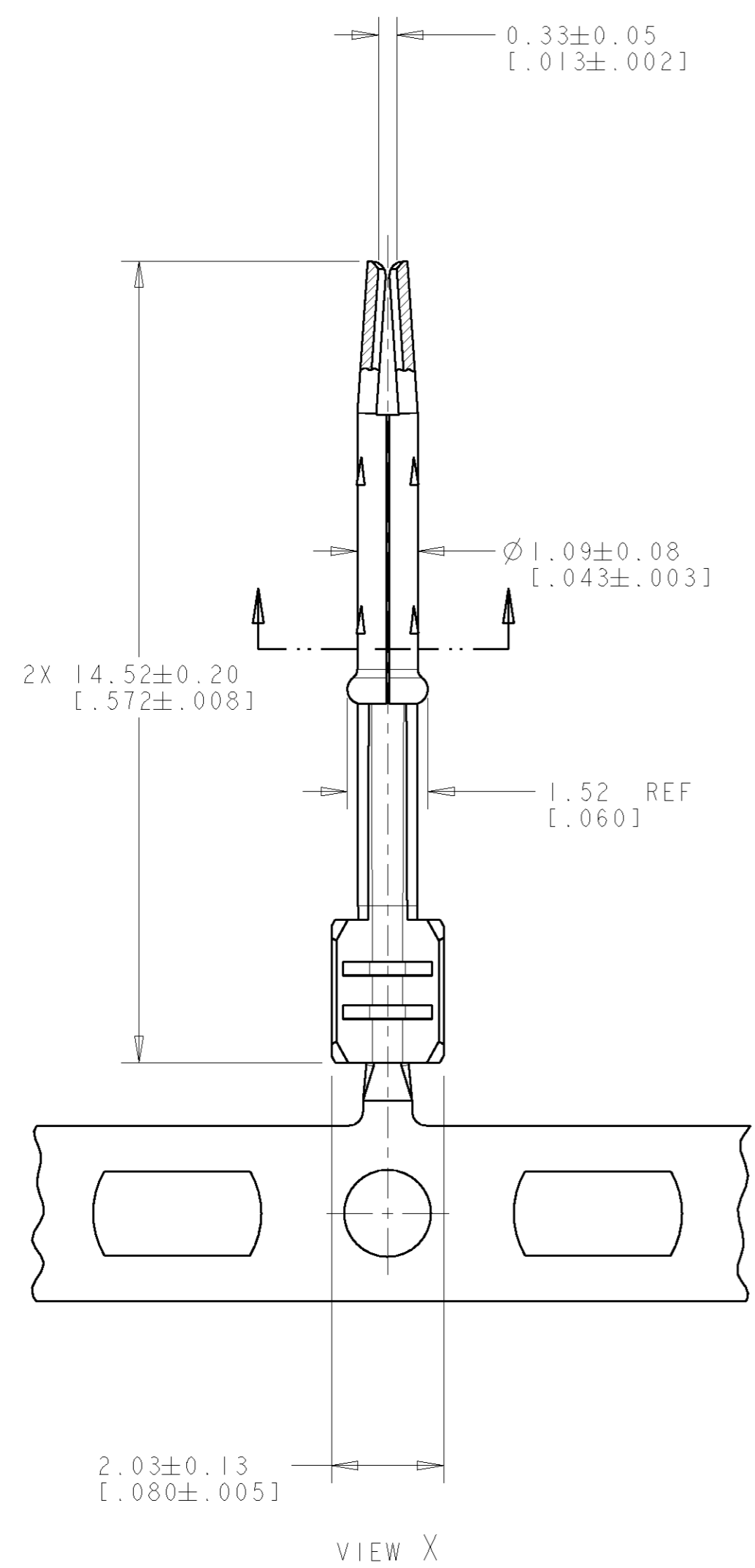


THIS DRAWING IS UNPUBLISHED. RELEASED FOR PUBLICATION 20  
 © COPYRIGHT 20 BY TYCO ELECTRONICS CORPORATION. ALL RIGHTS RESERVED.

LOC	DIST	REVISIONS			
P	LTR	DESCRIPTION	DATE	DWN	APVD
	O	RELEASED PER EC 0K40-329-04	15SEP2004	DJH	LLV
	A	REVISED PER EC 0K40-0056-05	15FEB2005	DLD	LLV



SECTION R-R  
SCALE 20:1

- ① PHOSPHOR BRONZE.
- ② 5.08µm [.000200] MIN TIN OVER 1.27µm [.000050] MIN NICKEL.

RG-62/U MODIFIED, RG-71/U MODIFIED	Y	1438731-4
RG-59, RG-62/U, RG-71/U	X	1438731-2
APPLICABLE CABLE SIZES	VIEW	PART NUMBER

THIS DRAWING IS A CONTROLLED DOCUMENT FOR TYCO ELECTRONICS CORPORATION. IT IS SUBJECT TO CHANGE AND THE CONTROLLING ENGINEERING ORGANIZATION SHOULD BE CONTACTED FOR THE LATEST REVISION.		DWN D. J. HARDY 15SEP2004	Tyco Electronics Harrisburg, PA 17105-3608	
DIMENSIONS: mm [INCHES]		CHK J. M. RAUDENBUSH 15SEP2004	NAME CENTER CONTACT, FEMALE, SNAP-LOCK	
TOLERANCES UNLESS OTHERWISE SPECIFIED: 0 PLC ± 1 PLC ± 2 PLC ± 3 PLC ± 4 PLC ± ANGLES ± FINISH		APVD J. M. RAUDENBUSH 15SEP2004	RESTRICTED TO	
MATERIAL ① - ② -		PRODUCT SPEC -	SIZE A200779	DRAWING NO. C-1438731
CUSTOMER DRAWING		APPLICATION SPEC 114-13125	SCALE 10:1	SHEET 1 OF 1 REV A

1438731