

PART NAME: KNOB

SCALE: 1:1

DATE: 3/4/09

DR. BY JAM

DAVIES MOLDING COMPANY
CAROL STREAM, ILLINOIS 60188

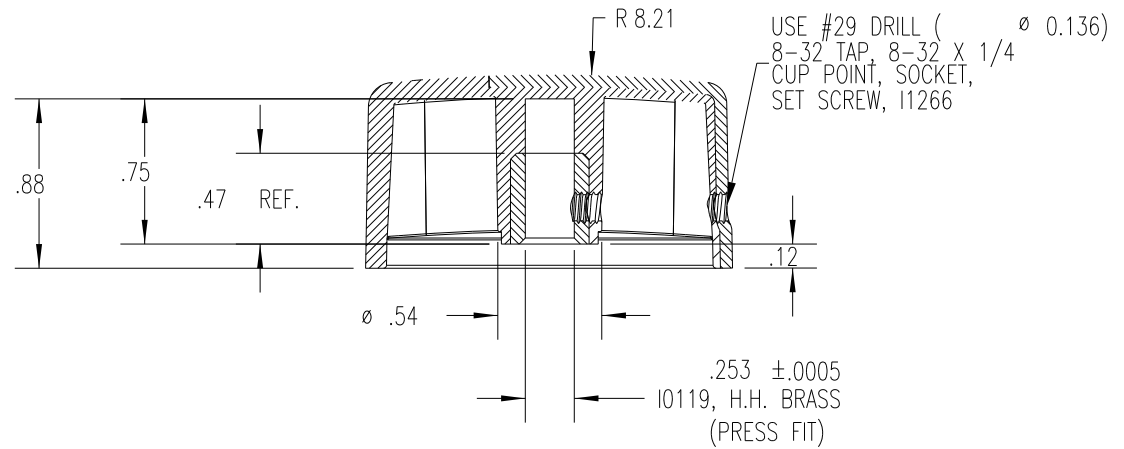
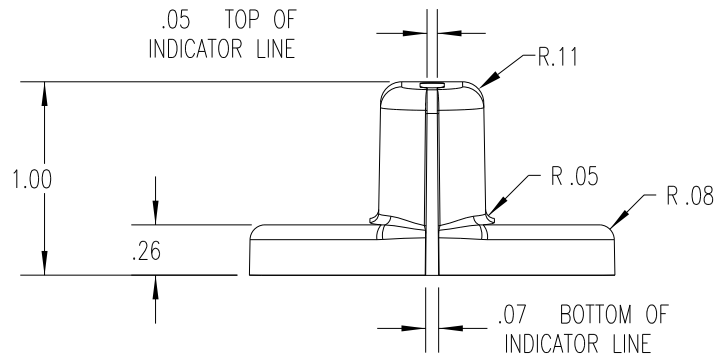
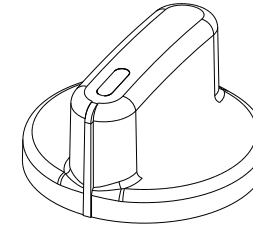
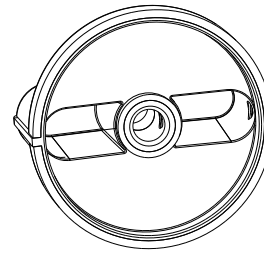
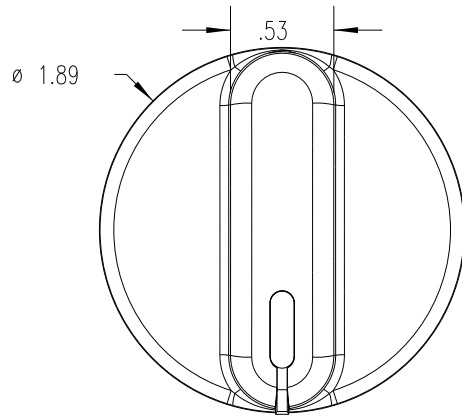
P/N 1507-B

THIS DRAWING IS THE PROPERTY OF DAVIES MOLDING COMPANY, IS SUBMITTED SOLELY AS A DESIGN OR ENGINEERING PROJECT.
WE ACCEPT NO RESPONSIBILITY WHATSOEVER FOR THE PRACTICAL APPLICATION OF THE PIECES MADE TO THIS DESIGN.

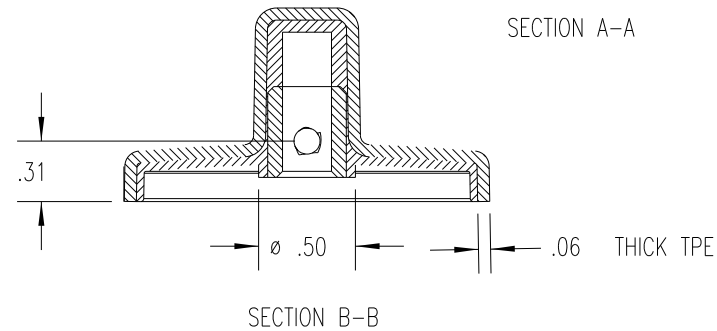
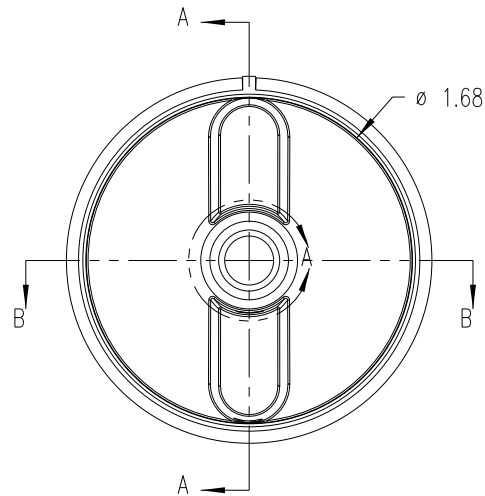
BASE PART 1507-02

SET SCREW I1266

(A)



USE #29 DRILL (ϕ 0.136)
8-32 TAP, 8-32 X 1/4
CUP POINT, SOCKET,
SET SCREW, I1266



SUBSTRATE MATERIAL: POLYPROPYLENE (CLD)
COLOR: WHITE (PC23083)

OVERMOLD MATERIAL: TPE (TPE3)
COLOR: BLACK

TOLERANCES: UNLESS OTHERWISE SPECIFIED	DO NOT SCALE DRAWING			
DECIMALS: X.XXX ± .005 X.XX ± .015	MM: X.XX ± 0.15MM X.X ± 0.4MM	A	ADDED BASE PART	JAM 3/27/14
FRACTIONS ± 1/64	ANG. ± 1°	-	WAS SK1507-06	JAM 3/4/09
CHANGES				