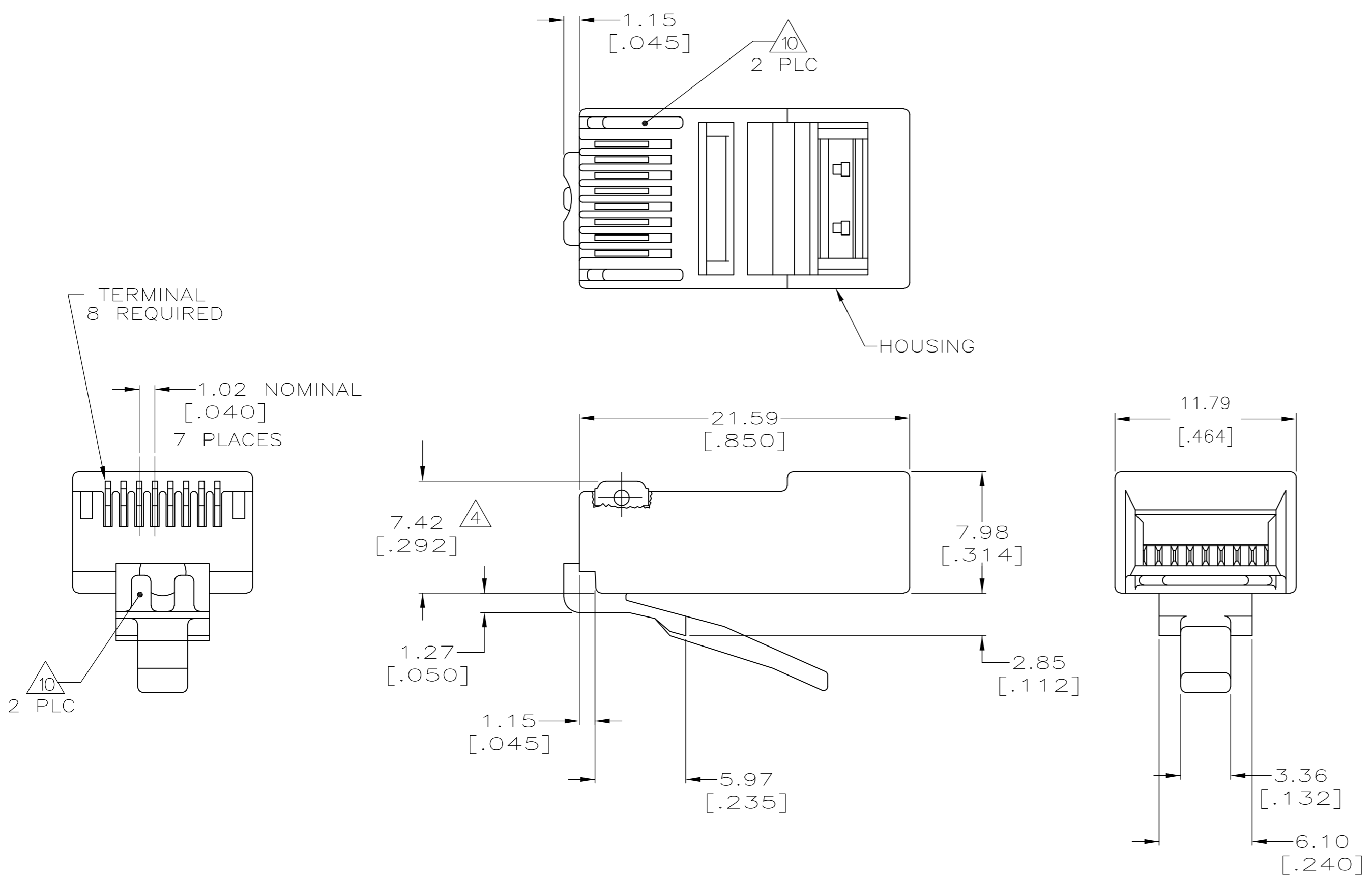


THIS DRAWING IS UNPUBLISHED. RELEASED FOR PUBLICATION  
 © COPYRIGHT - By - ALL RIGHTS RESERVED.

LOC	DIST	REVISIONS					
HM	00	P	LTR	DESCRIPTION	DATE	DWN	APVD
		S		REVISED PER ECO-12-012703	11JUL2012	GG	JG

- ① DIMENSIONS ARE MAXIMUM UNLESS OTHERWISE SPECIFIED.
- ② MATERIAL: HOUSING—POLYCARBONATE,CLEAR. TERMINAL—0.36[.014] THICK PHOSPHOR BRONZE PLATED WITH 1.27 $\mu$ m[.000050] THICK GOLD IN LOCALIZED GOLD PLATE AREA OVER 2.54 $\mu$ m[.000100] THICK NICKEL UNDERPLATE.
- 3. PLUG WILL ACCEPT 24 OR 26 AWG SOLID WIRE HAVING A MAXIMUM INSULATION DIAMETER OF 0.89–0.99[.035–.039] AND A MAXIMUM OVAL CABLE JACKET OF 2.54 X 8.89[.100 X .350].
- ④ TERMINATED DIMENSION 6.15[.242] MAXIMUM.
- ⑥ 10,000 ASSEMBLIES PER PACKAGE.
- ⑦ 500 ASSEMBLIES PER PACKAGE.
- ⑧ 100 ASSEMBLIES PER PACKAGE.
- ⑩ REELED PRODUCT ON STRIP DOES NOT HAVE VOID CORING ILLUSTRATED ON THIS DRAWING.
- ⑪ 100 ASSEMBLIES PER CARTON.



⑧	5-554720-3
⑦	5-554720-2
⑥	5-554720-1
⑪	3-554720-3
⑩	554720-1
<b>OBSOLETE</b>	REELED ⑩
	PACKAGED
	PART NO.

THIS DRAWING IS A CONTROLLED DOCUMENT.		DWN	03NOV2005	TE Connectivity	
DIMENSIONS: mm [INCHES]		CHK <td>03NOV2005 <td colspan="2" rowspan="4"> <b>TE</b> TE Connectivity            MODULAR PLUG ASSEMBLY,            8 POSITION, SOLID WIRE         </td> </td>	03NOV2005 <td colspan="2" rowspan="4"> <b>TE</b> TE Connectivity            MODULAR PLUG ASSEMBLY,            8 POSITION, SOLID WIRE         </td>	<b>TE</b> TE Connectivity MODULAR PLUG ASSEMBLY, 8 POSITION, SOLID WIRE	
TOLERANCES UNLESS OTHERWISE SPECIFIED:		APVD <td>03NOV2005 </td>	03NOV2005		
0 PLC ± - ① 1 PLC ± - ① 2 PLC ± - ① 3 PLC ± - ① 4 PLC ± - ① ANGLES ± - FINISH - ②		PRODUCT SPEC	108-1163		
MATERIAL - ②		APPLICATION SPEC	114-6016		
		WEIGHT	-	SIZE	A2
		CUSTOMER DRAWING		CAGE CODE	00779
				DRAWING NO	C=554720
				RESTRICTED TO	-
				SCALE	4:1
				SHEET	1 of 1
				REV	S

554720