

4

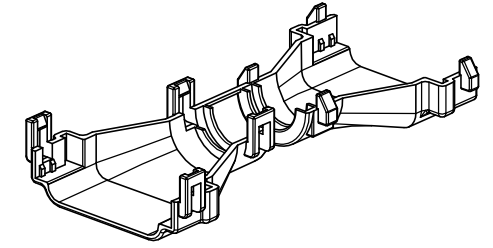
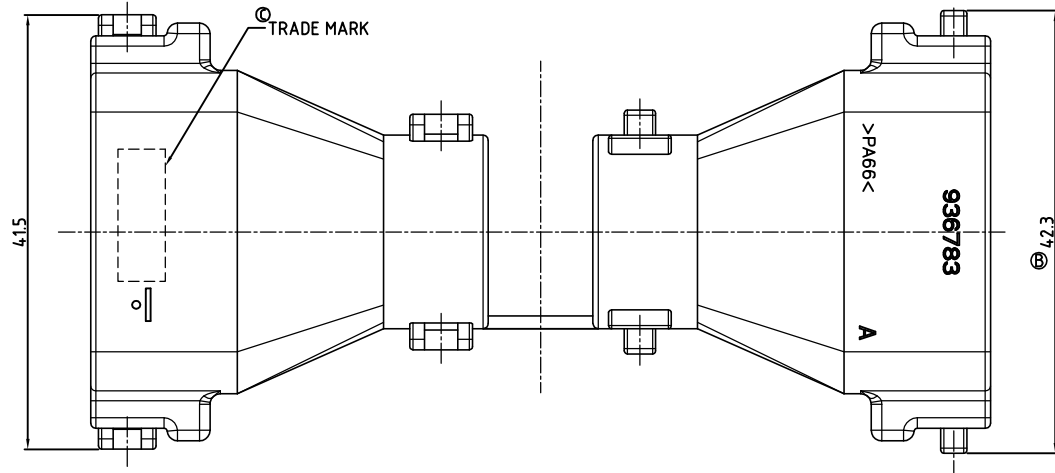
3

2

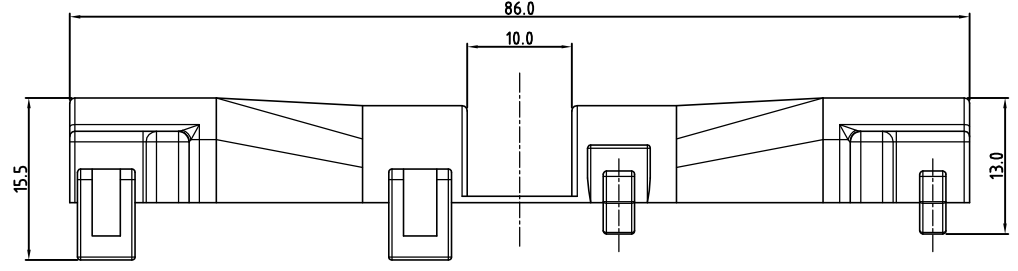
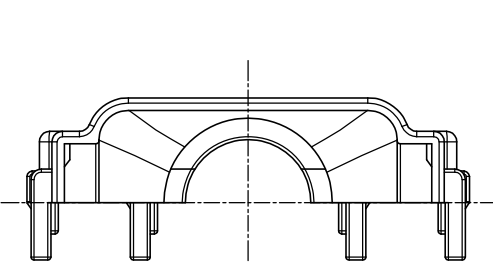
1

THIS DRAWING IS UNPUBLISHED. RELEASED FOR PUBLICATION  
 BY TYCO ELECTRONICS CORPORATION. ALL RIGHTS RESERVED.

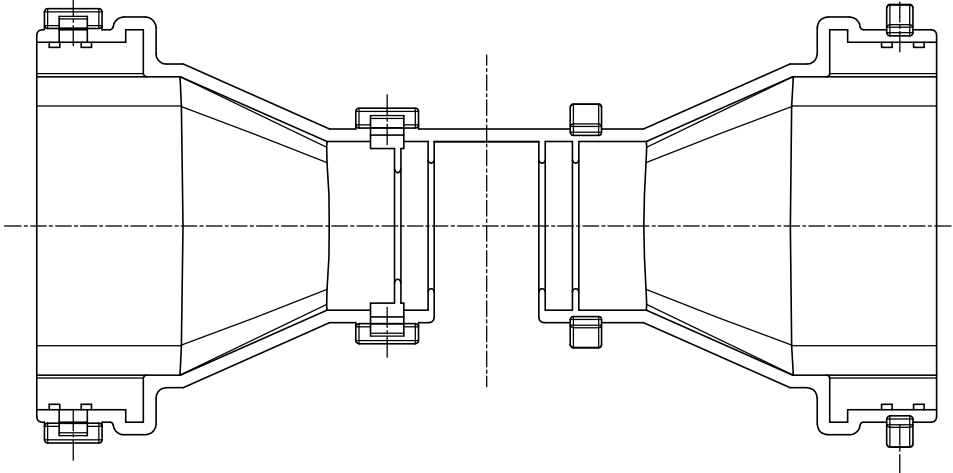
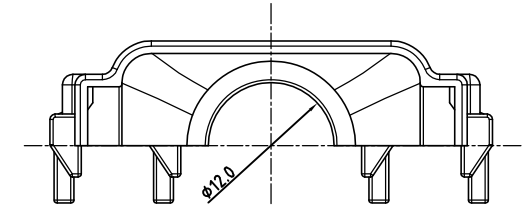
LOC		DIST		REVISIONS			
DS	-	P	LTR	DESCRIPTION	DATE	DWN	APVD
		B		REVISED(ECR-07-027758)	05/DEC/07	KT	JK
		C		REVISED(ECR-10-020545)	03/DEC/10	SJ	JK



3D-VIEW  
SCALE 1/1



SCALE 2:1



NOTES:

1. WARP IS 0.5 MAX. AND FLASH IS 0.3 MAX.
2. APPLICABLE CONNECTOR : X-936780-X
3. APPLICABLE CORRUGATOR DIAMETER :  $\phi 11.0$
4. GENERAL TOLERANCE IS DECIMALS  $\pm 0.3$ , ANGLES  $\pm 3^\circ$

BLACK	PA66	CAP COVER	0-936783-2
COLOR	MATERIAL	DESCRIPTION	P/N

THIS DRAWING IS A CONTROLLED DOCUMENT FOR TYCO ELECTRONICS CORPORATION. IT IS SUBJECT TO CHANGE AND THE CONTROLLING ENGINEERING ORGANIZATION SHOULD BE CONTACTED FOR THE LATEST REVISION.		DWN SJ CHOI	Tyco Electronics kyungsan, korea	
DIMENSIONS: MM		CHK JW JUNG		
TOLERANCES UNLESS OTHERWISE SPECIFIED:  SEE NOTE		APVD HG CHO	NAME  COVER FOR MTII/JPT SLD 20P CAP	
3rd ANGLE PROJECTION		PRODUCT SPEC -	SIZE A2	
MATERIAL SEE TABLE		APPLICATION SPEC -	CAGE CODE 00779	DRAWING NO 936783
FINISH		WEIGHT -	RESTRICTED TO -	
CUSTOMER DRAWING			SCALE 2/1	SHEET 1 OF 1
			REV C	