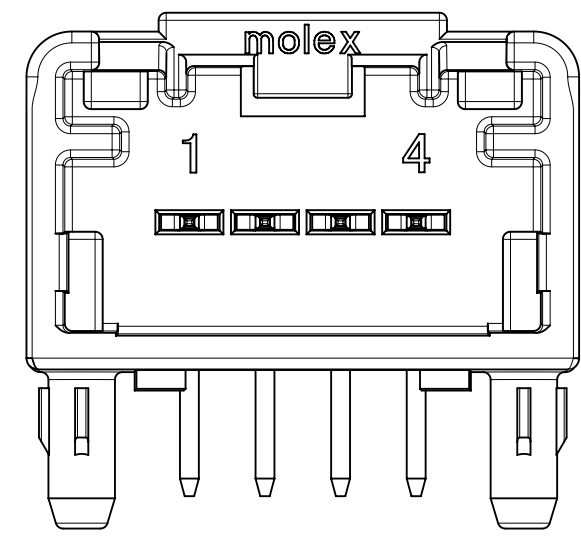
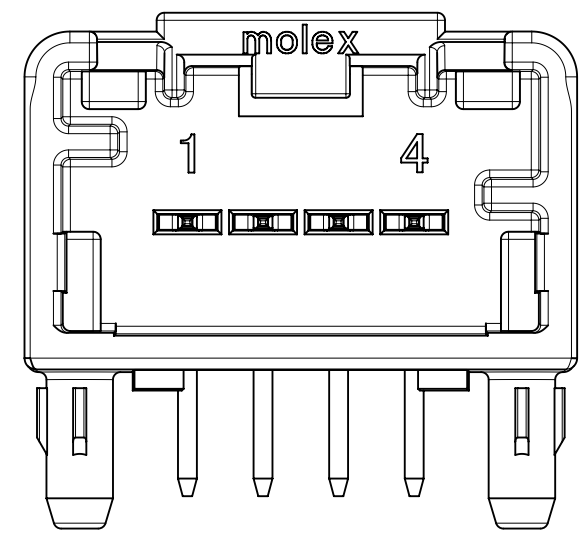


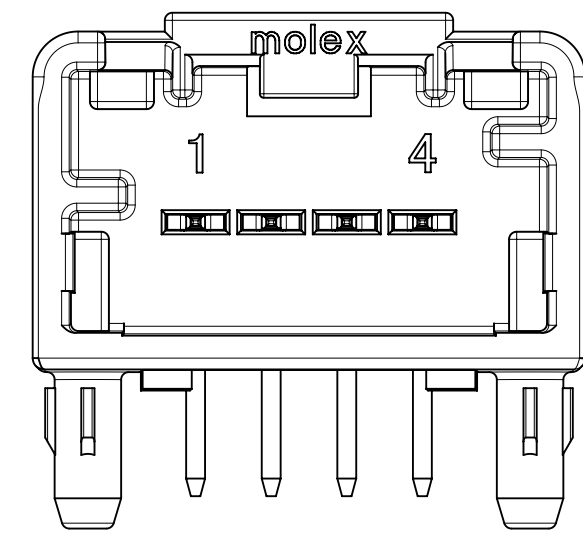
4 CIRCUIT RIGHT ANGLE HEADER  
POLARIZATION OPTION A



4 CIRCUIT RIGHT ANGLE HEADER  
POLARIZATION OPTION B



4 CIRCUIT RIGHT ANGLE HEADER  
POLARIZATION OPTION C



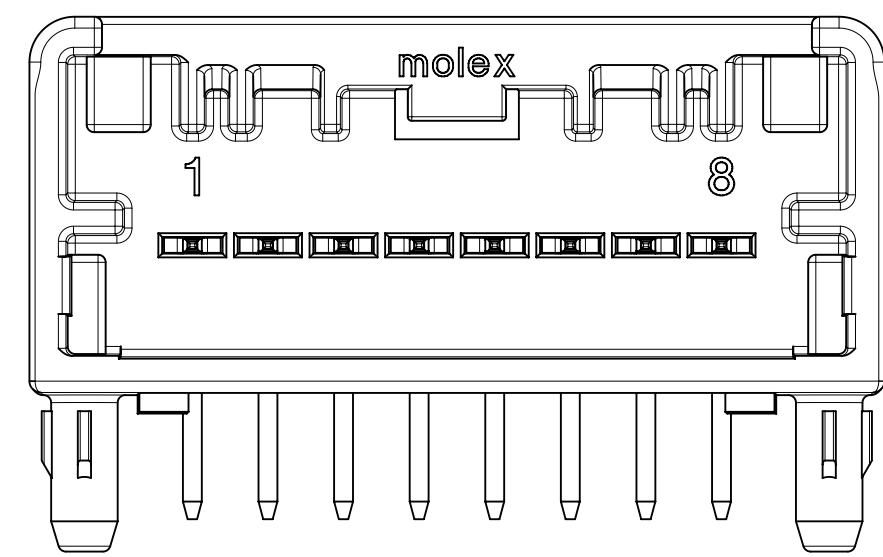
4 CIRCUIT RIGHT ANGLE HEADER  
POLARIZATION OPTION D

NOTES: VALID UNLESS OTHERWISE SPECIFIED

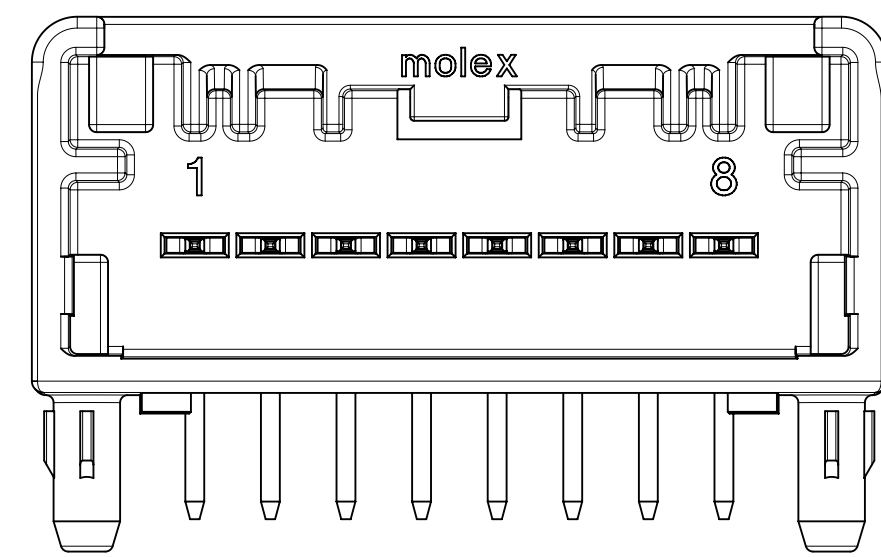
1. GENERAL:
  - a. APPLICATION SPECIFICATION SEE: AS-34791-020
  - b. PRODUCT SPECIFICATION SEE: PS-34791-020
  - c. PACKAGING SPECIFICATION PER MOLEX DRAWING: SEE CHART
  - d. SOLDERABILITY PER SMES-152
  - e. PARTS MUST BE IN COMPLIANCE TO MOLEX CHEMICAL SUBSTANCES FOR PRODUCTS AND PACKAGING SPECIFICATION: QEHS-699000-300
  - f. DATA MUST BE SUBMITTED UNDER THE MOLEX PART NUMBER TO IMDS (COMPANY ID#13255)
  - g. FLAMMABILITY REQUIREMENT: PER ISO3795 OR GM3191
  - h. VISUAL DEFECTS SHALL MEET COSMETIC STANDARD PS-45499-002 (Class B)

2. DESIGN - MATERIALS:
  - a. SHROUD (PLASTIC HOUSING): SPS 30% GF, 20% REGRIND MAX PER WEIGHT
  - b. BLADES:
    - BASE METAL: C260 BRASS
    - PLATING REQUIREMENTS:
      - TIN OVER NICKEL:
      - UNDERPLATING:
      - OVERALL NICKEL
      - OVERPLATING:
      - OVERALL TIN

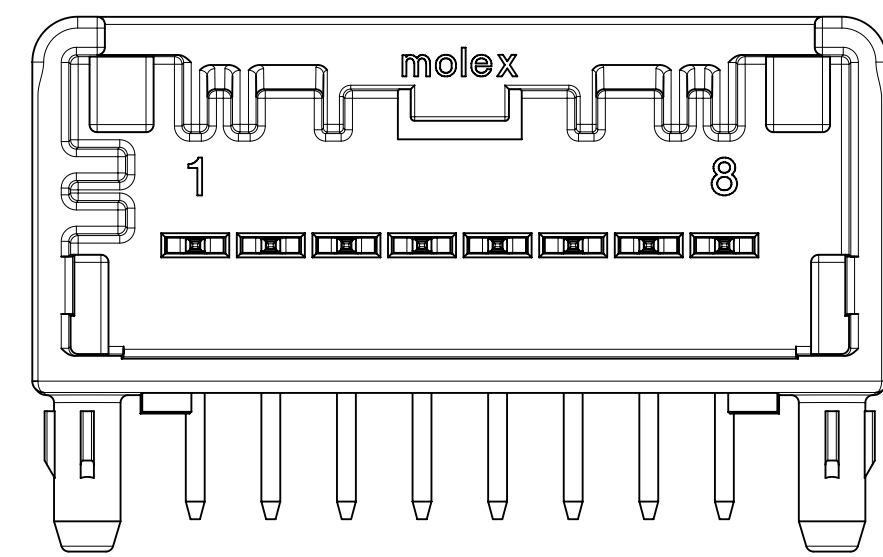
3. DESIGN - GEOMETRY:
  - a. THIS IS A 100% CAD GENERATED PART. THE CAD MATHEMATICAL DATA IS THE MASTER FOR THIS PART. FOR DIMENSIONAL OR ANY INFORMATION NOT SHOWN ON THIS DRAWING, ANALYZE THE CAD MODEL.
  - b. GEOMETRIC DIMENSIONS AND TOLERANCES PER ASME Y14.5M - 2009
  - c. GENERAL TOLERANCES:
    - LINEAR: SEE TITLE BLOCK
    - ANGULAR: ±3°
  - d. EDGES AND UNDIMENSIONED DETAILS PER ISO13715
  - e. CORNERS SHOWN AS SHARP TO BE R 0.1 MAX
  - f. LETTERING SHALL BE 0.10 MAX RAISED. THIS INCLUDES RECYCLING CODE, PLANT AND CAVITY ID, VENDOR ID, AND CIRCUIT ID.



8 CIRCUIT RIGHT ANGLE HEADER  
POLARIZATION OPTION A



8 CIRCUIT RIGHT ANGLE HEADER  
POLARIZATION OPTION B



8 CIRCUIT RIGHT ANGLE HEADER  
POLARIZATION OPTION C

### MINI50 RIGHT ANGLE HEADER ASSEMBLIES

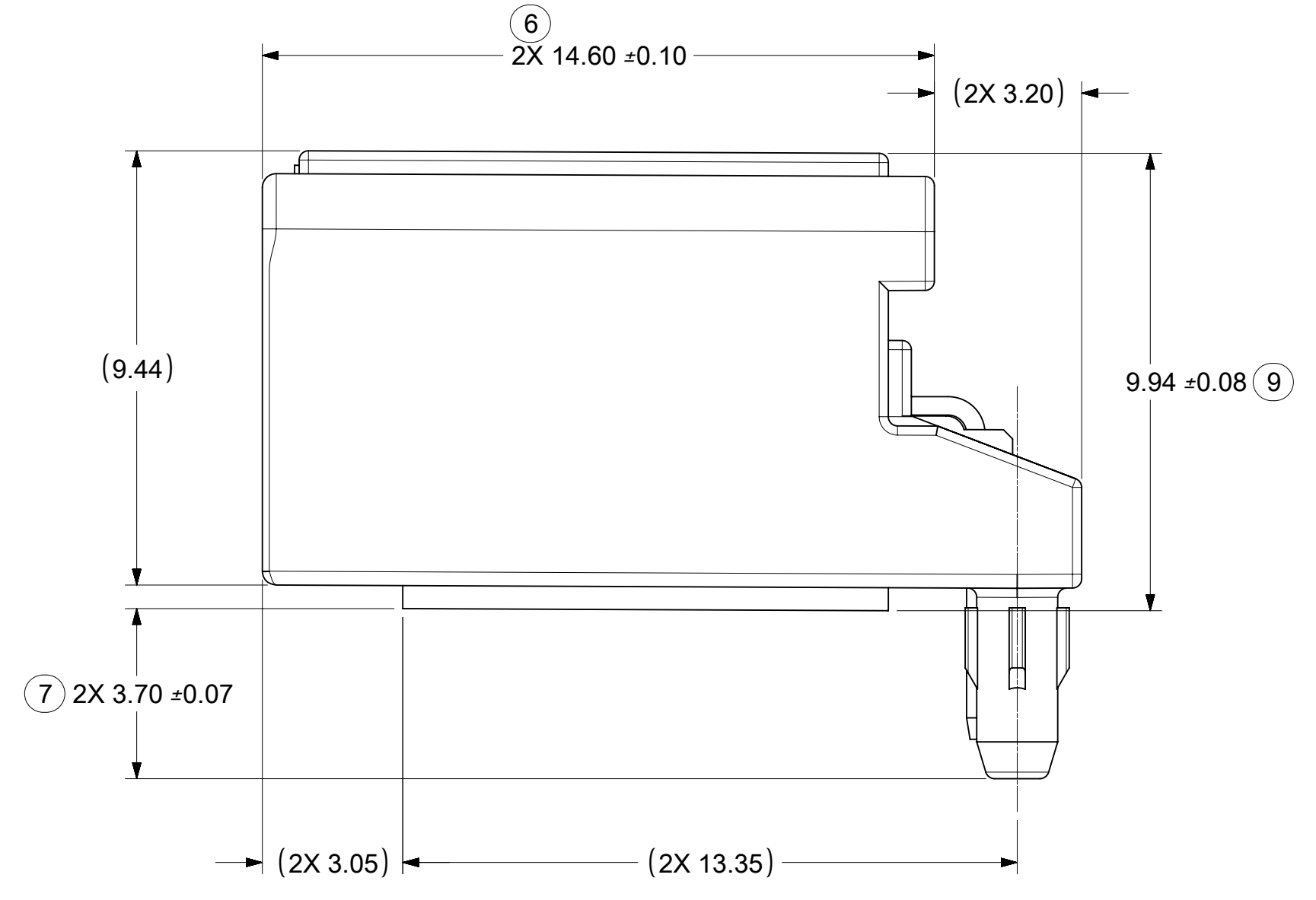
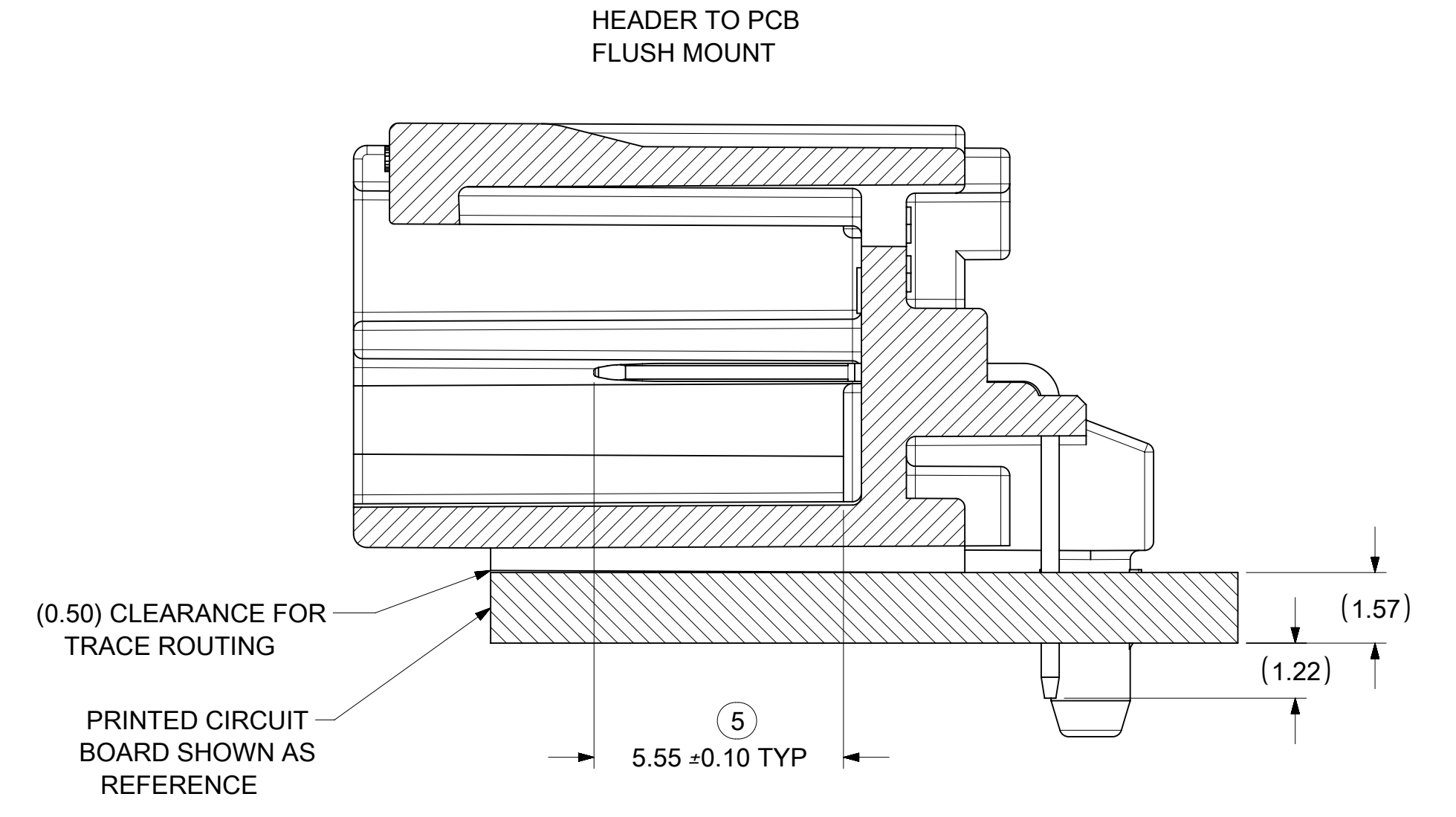
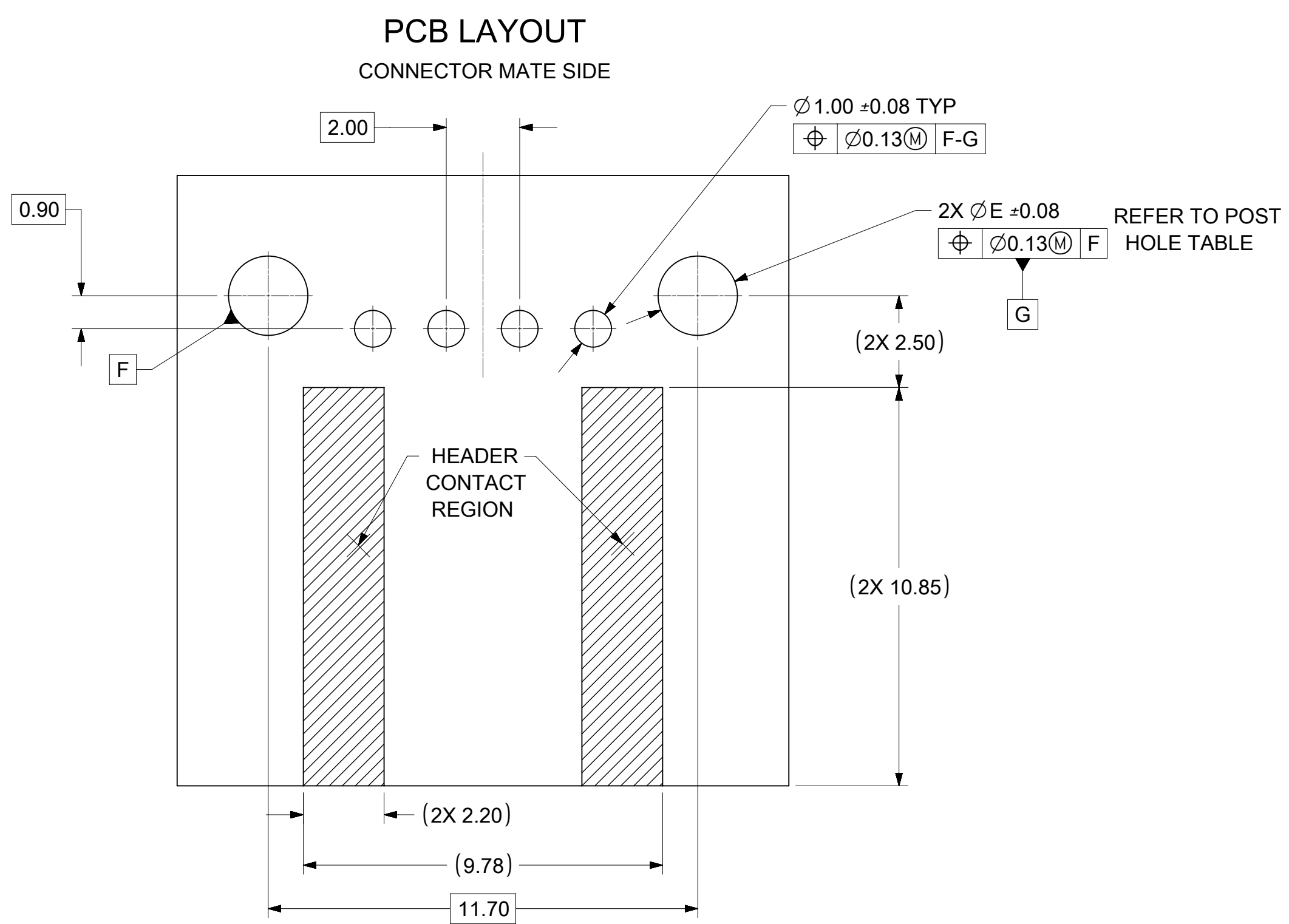
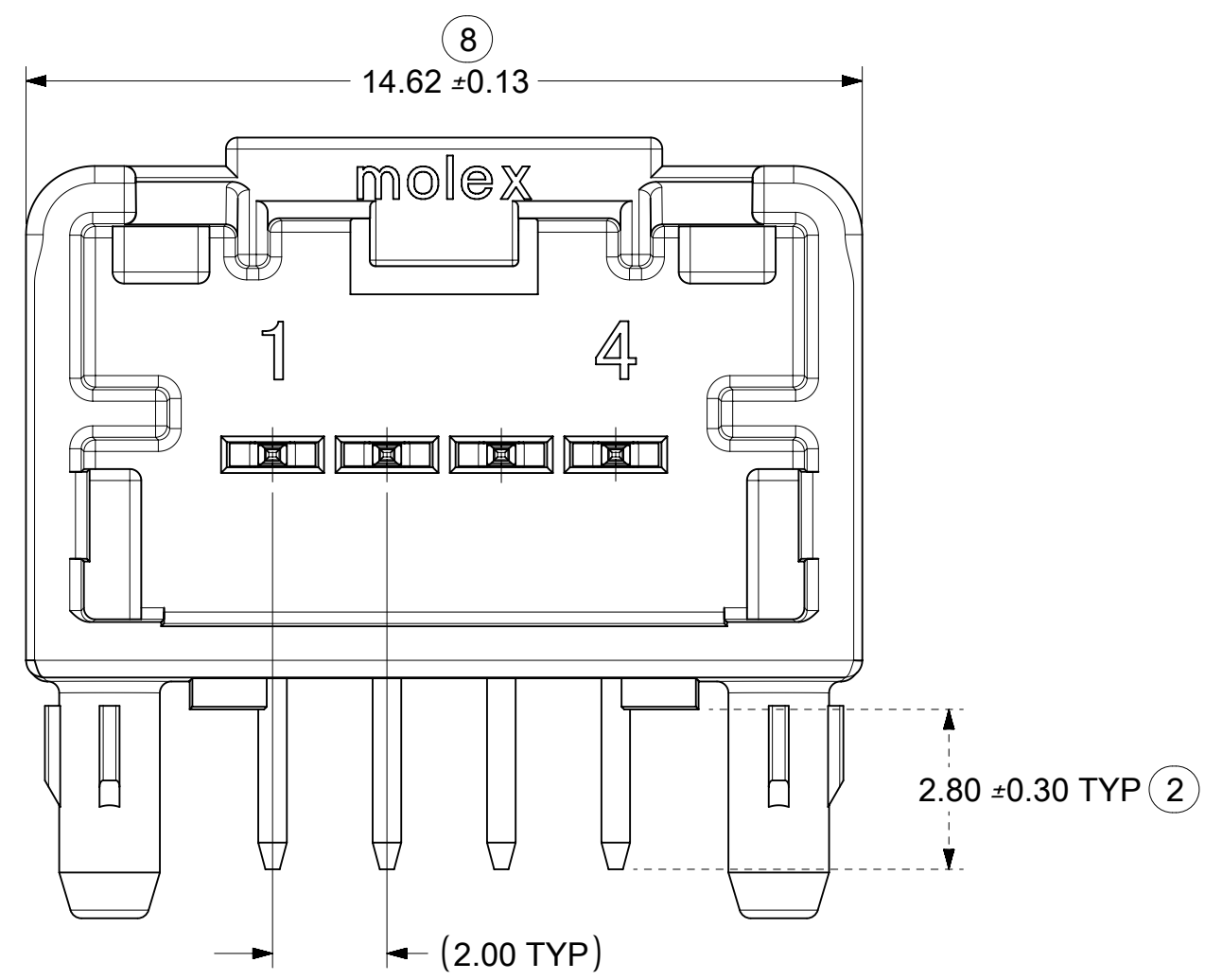
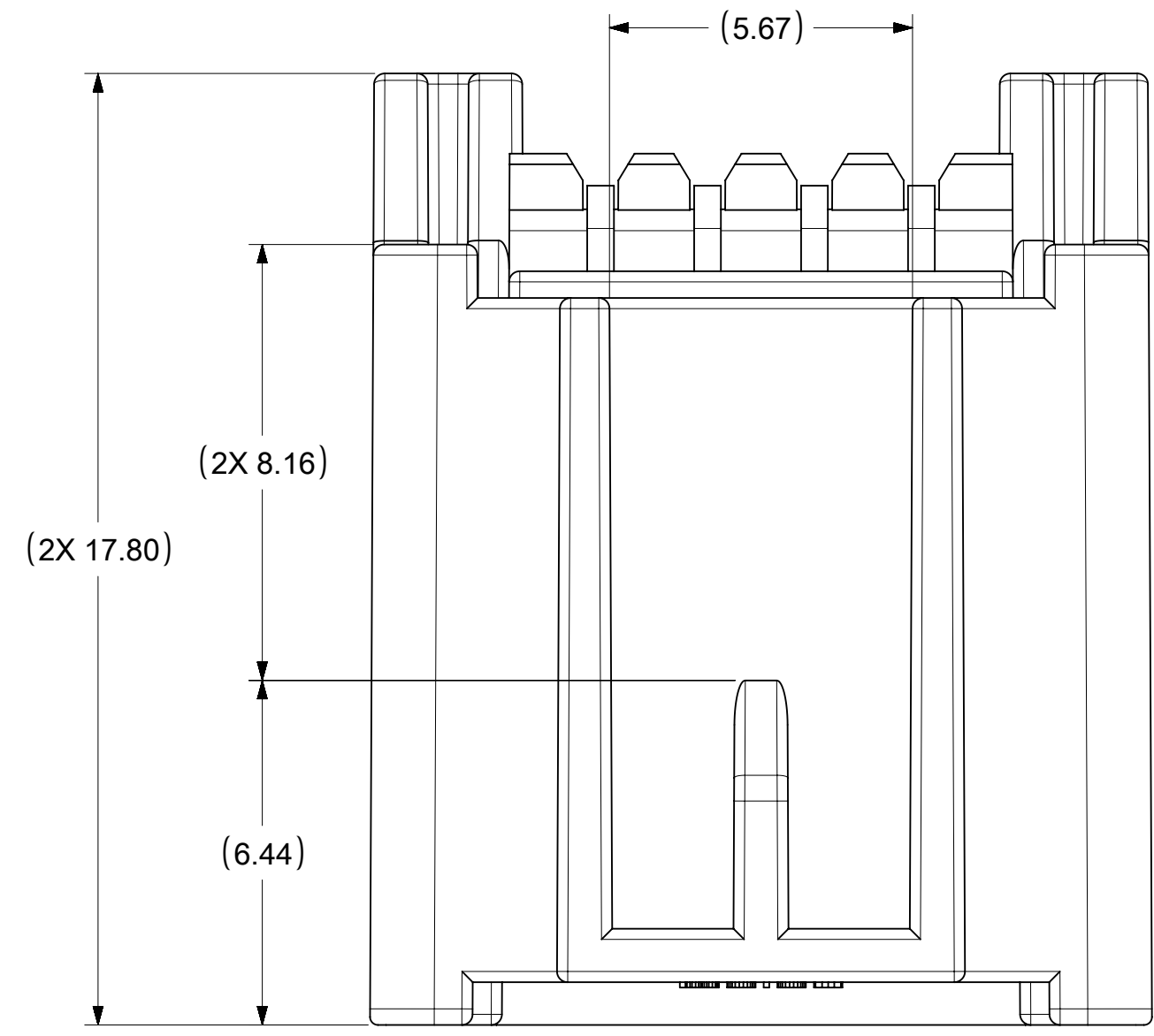
MATERIAL NUMBER			CONFIGURATION	CIRCUIT	POL	COLOR	BLADE PLATING	MATING COMPONENT	
TAPE AND REEL PACKAGING PK-47799-0001	TUBE PACKAGING PK-31301-688	TRAY PACKAGING PK-31301-440						UN-BRIDGED	BRIDGED
34793-8040	34793-9040	34793-0040	USCAR	4	A	BLACK	TIN OVER NICKEL	34791-0040	34791-0140
34793-8041	34793-9041	34793-0041	USCAR	4	B	GRAY	TIN OVER NICKEL	34791-0041	34791-0141
34793-8042	34793-9042	34793-0042	USCAR	4	C	DARK GRAY	TIN OVER NICKEL	34791-0042	34791-0142
34793-8043	34793-9043	34793-0043	USCAR	4	D	GREEN	TIN OVER NICKEL	34791-0043	34791-0143
34793-8080	34793-9080	34793-0080	USCAR	8	A	BLACK	TIN OVER NICKEL	34791-0080	34791-0180
34793-8081	34793-9081	34793-0081	USCAR	8	B	GRAY	TIN OVER NICKEL	34791-0081	34791-0181
34793-8082	34793-9082	34793-0082	USCAR	8	C	DARK GRAY	TIN OVER NICKEL	34791-0082	34791-0182

INSPECTION BALLOON NUMBER LOG	
PER DRAWING REVISION: F1	
LAST BALLOON USED: 9	
ADDED BALLOON NUMBERS:	
REMOVED BALLOON NUMBERS: 1	

REV	DESCRIPTION
F1	NX REMASTERING

QUALITY SYMBOLS □ = 0 ▽ = 0 ▽ = 0 ▽ = 0 ▽ = 0 ▽ = 0 ▽ = 0 ▽ = 0 ▽ = 0 ▽ = 0 ▽ = 0 ▽ = 0	THIS DRAWING CONTAINS INFORMATION THAT IS PROPRIETARY TO MOLEX ELECTRONIC TECHNOLOGIES, LLC AND SHOULD NOT BE USED WITHOUT WRITTEN PERMISSION		GENERAL TOLERANCES (UNLESS SPECIFIED) DIMENSION UNITS: MM ONLY SCALE: 5:1				
	EC NO: 173902 DRWN: KHEWITT CHKD: JDUNAJ REV APPR: JDUNAJ	2018/03/20 2018/03/21 2018/03/21	DRWN BY: JDUNAJ DATE: 2010/06/21	CHKD BY: BDICK DATE: 2010/06/21		MINI 50 SINGLE ROW R/A HEADER ASSEMBLY SALES DRAWING  PRODUCT CUSTOMER DRAWING	
	4 PLACES ± 3 PLACES ± 2 PLACES ± 0.1 1 PLACE ± 0.2 0 PLACES ±		APPR BY: SMARCEAU DATE: 2011/11/21	DRAWING SIZE: D THIRD ANGLE PROJECTION			SERIES: 34793 MATERIAL NUMBER: SEE TABLE CUSTOMER: GENERAL MARKET
	DRAFT WHERE APPLICABLE MUST REMAIN WITHIN DIMENSIONS						DOCUMENT NUMBER: SD-34793-001 DOC TYPE: PSD DOC PART: 001 SHEET NUMBER: 1 OF 3

# 4 CKT RIGHT ANGLE HEADER

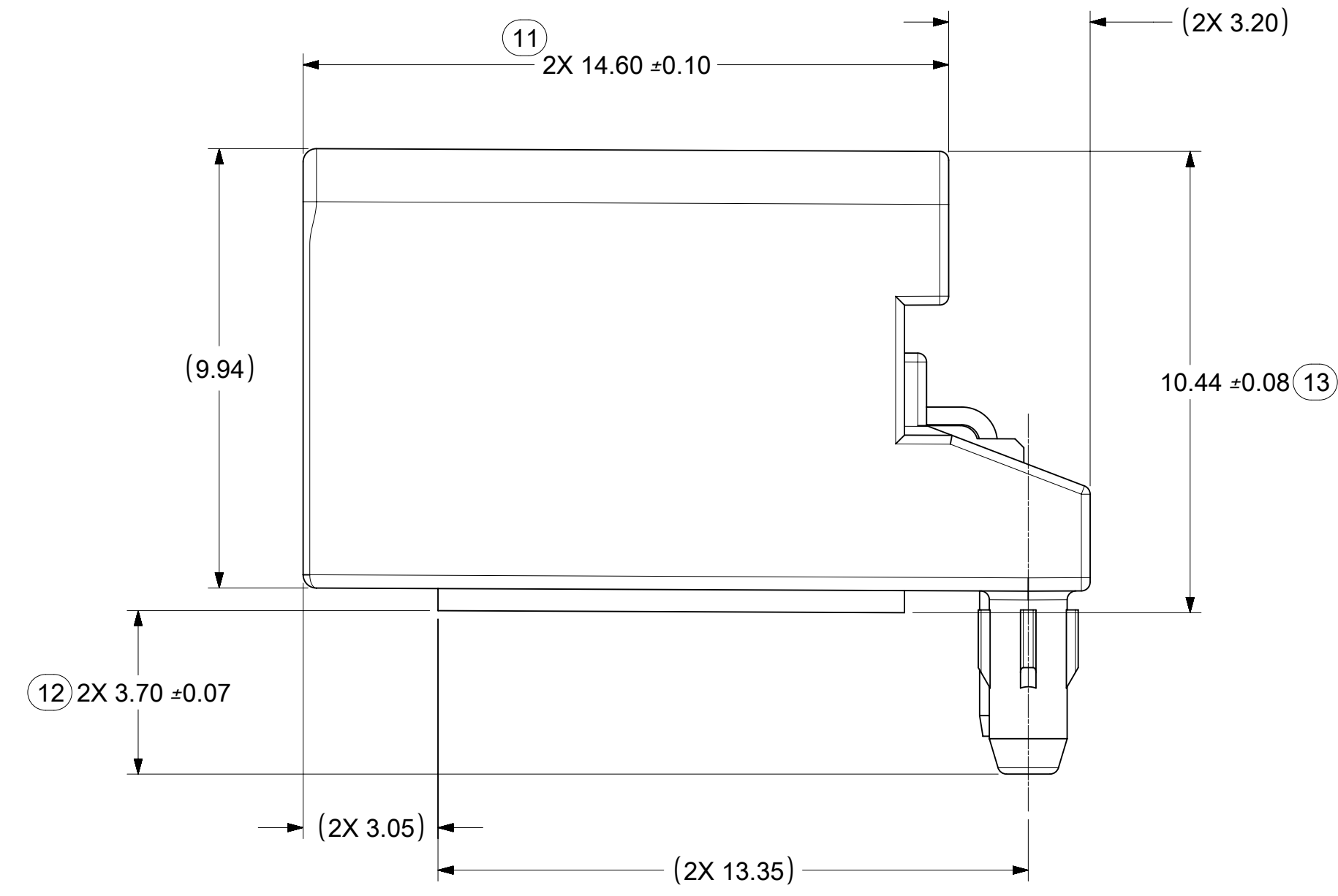
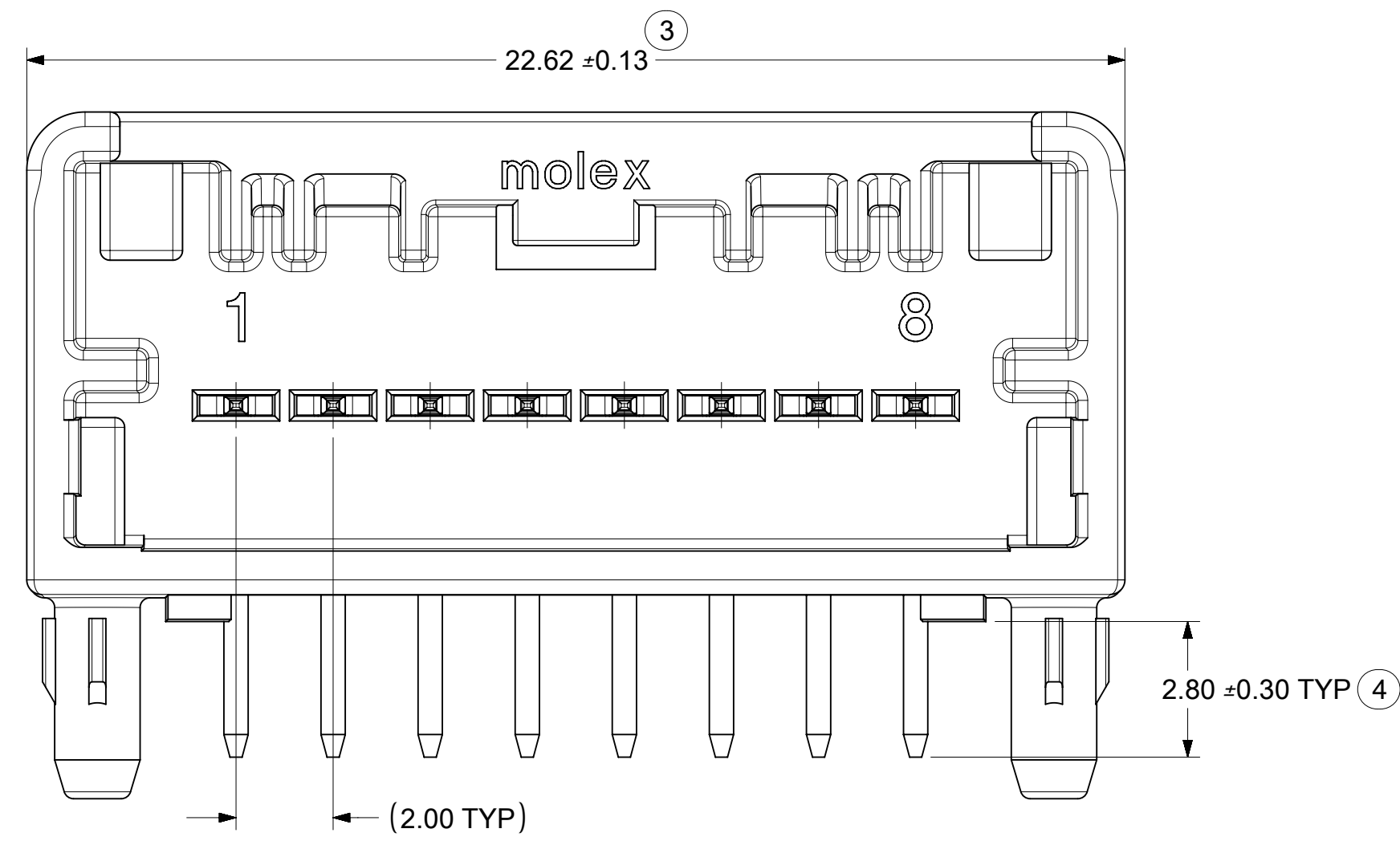
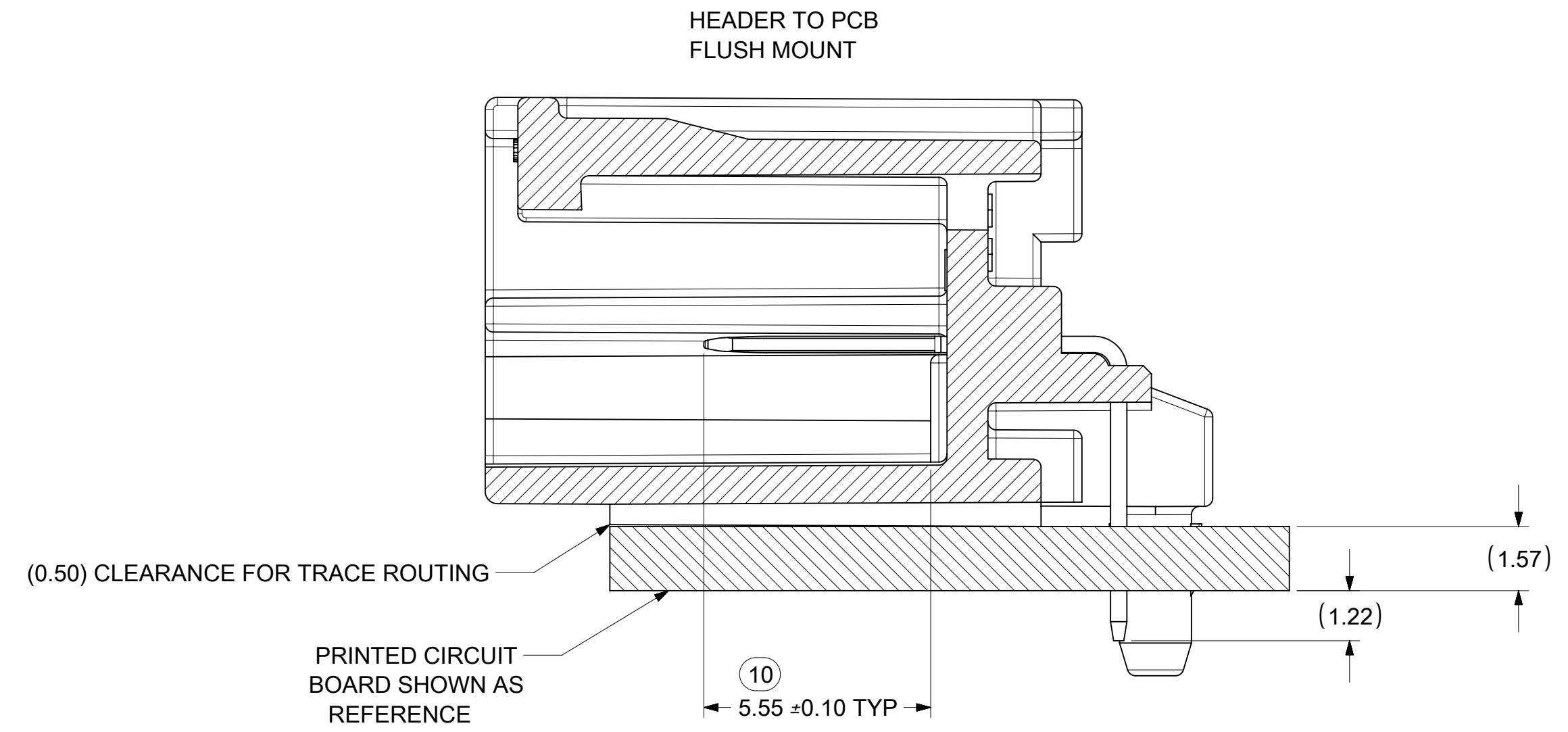
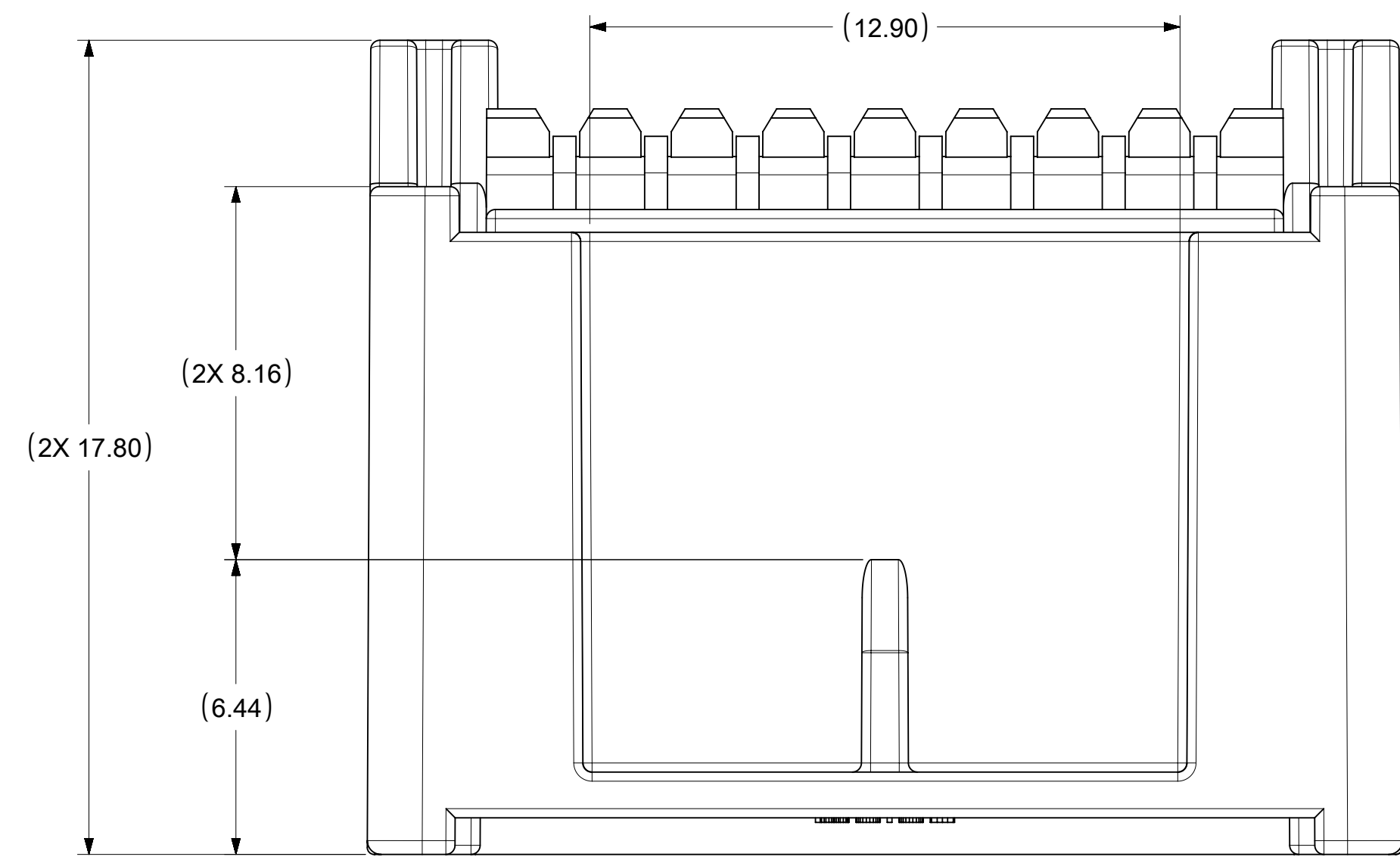


POST HOLE TABLE

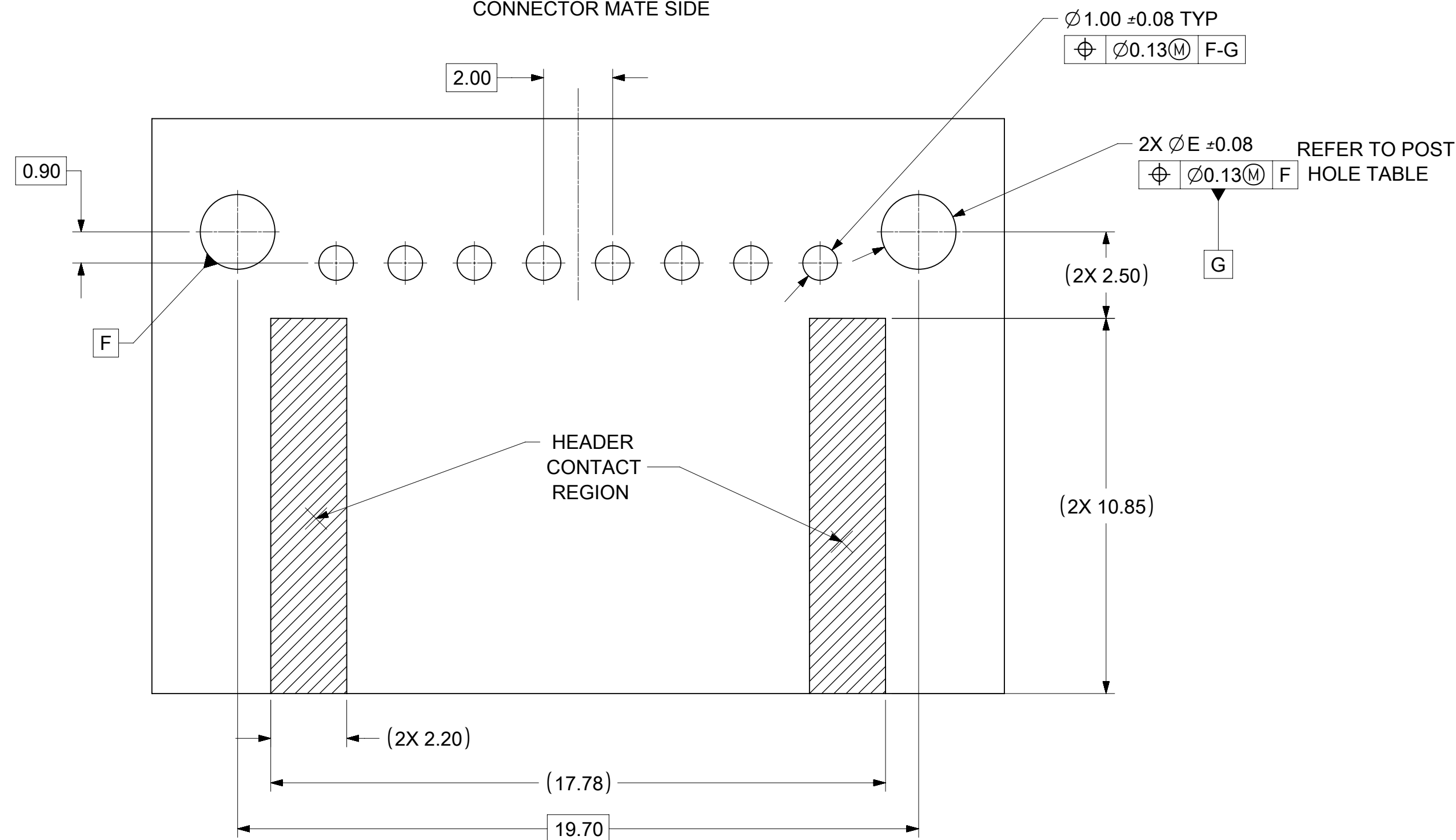
	DIM 'E'
PRESS FIT	2.15
DROP IN	2.55

QUALITY SYMBOLS F = 0 F = 0 F = 0 = 0 = 0 = 0 = 0 = 0 = 0				THIS DRAWING CONTAINS INFORMATION THAT IS PROPRIETARY TO MOLEX ELECTRONIC TECHNOLOGIES, LLC AND SHOULD NOT BE USED WITHOUT WRITTEN PERMISSION				DIMENSION UNITS <b>MM ONLY</b>		SCALE <b>8:1</b>						
EC NO: 173902 DRWN: KHEWITT CHKD: JDUNAJ REV APPR: JDUNAJ		GENERAL TOLERANCES (UNLESS SPECIFIED) ANGULAR TOL ± ° 4 PLACES ± 3 PLACES ± 2 PLACES ± 0.1 1 PLACE ± 0.2 0 PLACES ± DRAFT WHERE APPLICABLE MUST REMAIN WITHIN DIMENSIONS		DRWN BY <b>JDUNAJ</b>		DATE <b>2010/06/21</b>		CHKD BY <b>BDICK</b>		DATE <b>2010/06/21</b>						
EC NO: 173902 DRWN: KHEWITT CHKD: JDUNAJ REV APPR: JDUNAJ		DRWN BY <b>SMARCEAU</b>		DATE <b>2011/11/21</b>		DRAWING SIZE <b>D</b>		THIRD ANGLE PROJECTION		PRODUCT CUSTOMER DRAWING						
RELEASE STATUS <b>P1</b>		RELEASE DATE <b>2018/03/21 22:36:18</b>		SERIES <b>34793</b>		MATERIAL NUMBER <b>SEE TABLE</b>		CUSTOMER <b>GENERAL MARKET</b>		DOCUMENT NUMBER <b>SD-34793-001</b>			DOC TYPE <b>PSD</b>		DOC PART SHEET NUMBER <b>001 2 OF 3</b>	

# 8 CKT RIGHT ANGLE HEADER



## PCB LAYOUT CONNECTOR MATE SIDE



### POST HOLE TABLE

	DIM 'E'
PRESS FIT	2.15
DROP IN	2.55

<b>QUALITY SYMBOLS</b> F = 0 F = 0 F = 0 ▽ = 0 ▽ = 0 ⊠ = 0 ■ = 0 ▽ = 0	THIS DRAWING CONTAINS INFORMATION THAT IS PROPRIETARY TO MOLEX ELECTRONIC TECHNOLOGIES, LLC AND SHOULD NOT BE USED WITHOUT WRITTEN PERMISSION				DIMENSION UNITS <b>MM ONLY</b>	SCALE <b>8:1</b>		
	EC NO: 173902 DRWN: KHEWITT CHKD: JDUNAJ REV APPR: JDUNAJ	GENERAL TOLERANCES (UNLESS SPECIFIED) ANGULAR TOL ± ° 4 PLACES ± 3 PLACES ± 2 PLACES ± 0.1 1 PLACE ± 0.2 0 PLACES ±	DRWN BY <b>JDUNAJ</b>	DATE <b>2010/06/21</b>	CHKD BY <b>BDICK</b>	DATE <b>2010/06/21</b>		<b>MINI 50 SINGLE ROW R/A HEADER ASSEMBLY SALES DRAWING</b>
	APPR BY <b>SMARCEAU</b>	DATE <b>2011/11/21</b>	PRODUCT CUSTOMER DRAWING					
	<b>F2</b>	DRAFT WHERE APPLICABLE MUST REMAIN WITHIN DIMENSIONS	DRAWING SIZE <b>D</b>	THIRD ANGLE PROJECTION	SERIES <b>34793</b>	MATERIAL NUMBER <b>SEE TABLE</b>		CUSTOMER <b>GENERAL MARKET</b>