

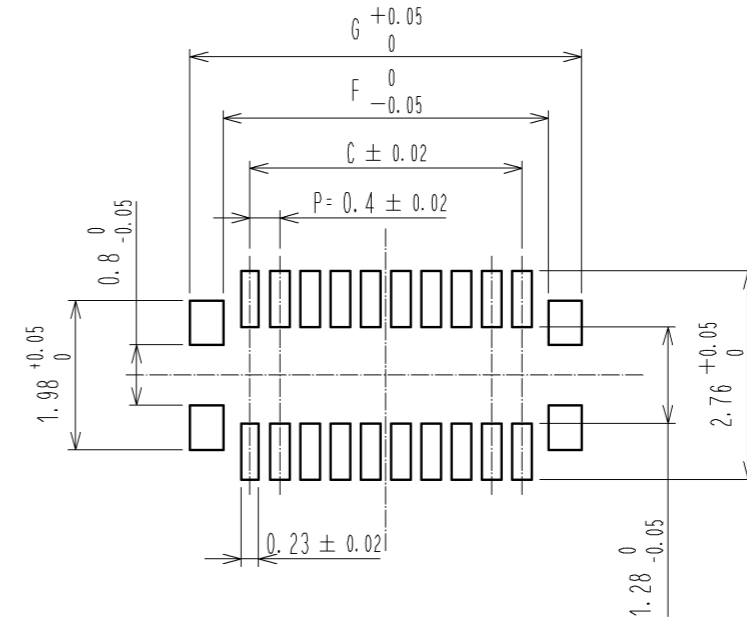
NOTE 1. ALL LEADS CO-PLANARITY SHALL BE 0.1mm MAX.
 2. PER REEL : 8000 CONNECTORS.
 3. AT THE BEGINNING OF THE REEL, 100 mm AT MIN SHALL BE EMPTY POCKETS.
 AT THE END OF THE REEL, 160 mm AT MIN SHALL BE EMPTY.

4 CONTACT PLATING SPECIFICATIONS.
 CONTACT AREA : GOLD 0.05μm MIN.
 SMT LEAD : GOLD 0.05μm MIN.
 UNDERPLATING : NICKEL 1μm MIN.
 (SURFACE : SEALING)

5 METAL HOLD DOWN PLATING SPECIFICATIONS.
 MOUNTING AREA: GOLD 0.05μm MIN.
 UNDERPLATING : NICKEL 1μm MIN.
 6. PEEL FORCE REFERS TO JIS C 0806.

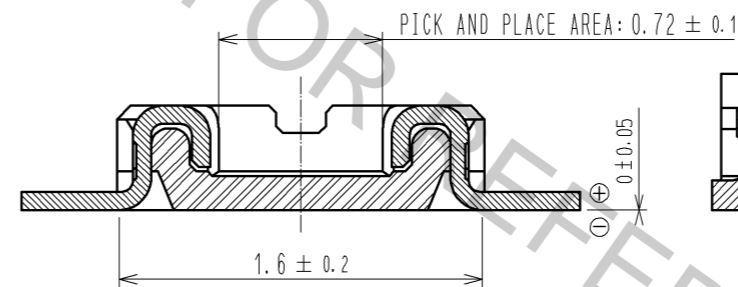
7 CONCAVE FOR STABILIZING COPLANARITY MIGHT BE SET UP AT THE INDICATED POSITION.
 8 PLEASE CONTACT US IN CASE YOU WILL MAKE DIFFERENT SETTINGS FROM OUR RECOMMENDATION.

8 RECOMMENDED PATTERN

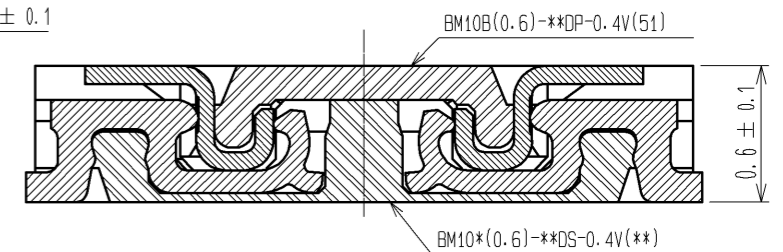


8 RECOMMENDED SOLDER PASTE : THICKNESS 100μm
 8 RECOMMENDED METAL MASK OPENING RATIO : 100%

A-A

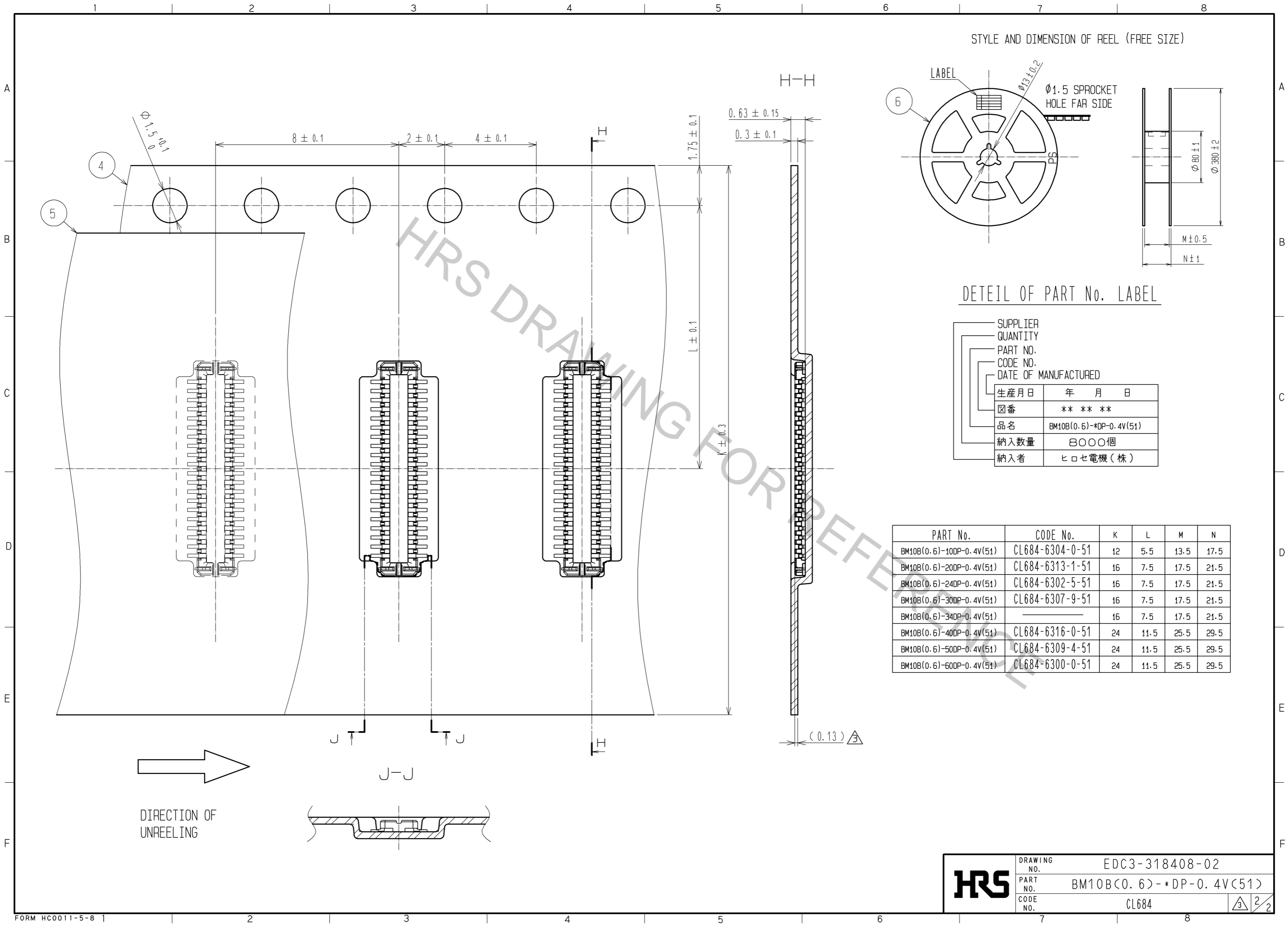


ENGAGEMENT FIGURE



PART No.	CODE No.	B	C	D	E	F	G
BM10B(0.6)-10DP-0.4V(51)	CL684-6304-0-51	3.32	1.6	0.8	2.74	2.3	3.18
BM10B(0.6)-20DP-0.4V(51)	CL684-6313-1-51	5.32	3.6	1.6	4.74	4.3	5.18
BM10B(0.6)-24DP-0.4V(51)	CL684-6302-5-51	6.12	4.4	2.0	5.54	5.1	5.98
BM10B(0.6)-30DP-0.4V(51)	CL684-6307-9-51	7.32	5.6	2.0	6.74	6.3	7.18
BM10B(0.6)-34DP-0.4V(51)	---	8.12	6.4	2.4	7.54	7.1	7.98
BM10B(0.6)-40DP-0.4V(51)	CL684-6316-0-51	9.32	7.6	2.4	8.74	8.3	9.18
BM10B(0.6)-50DP-0.4V(51)	CL684-6309-4-51	11.32	9.6	2.8	10.74	10.3	11.18
BM10B(0.6)-60DP-0.4V(51)	CL684-6300-0-51	13.32	11.6	3.2	12.74	12.3	13.18

3	PHOSPHOR BRONZE	5	6	PS	PLASTIC REEL (BLACK)
2	PHOSPHOR BRONZE	4	5	POLYESTER	CLEAR (COVER TAPE)
1	LCP	UL94V-0, BLACK	4	PS	CLEAR (EMBOSSED CARRIER TAPE)
NO.	MATERIAL	FINISH, REMARKS	NO.	MATERIAL	FINISH, REMARKS
UNITS	mm	SCALE	10 : 1	COUNT	5
DESCRIPTION OF REVISIONS			DESIGNED	CHECKED	DATE
DIS-H-005446			KR. AJITO	AR. TAKAHASHI	11.01.12
APPROVED : KH. IKEDA		08.07.16	DRAWING NO. EDC3-318408-02		
CHECKED : KY. MIDORIKAWA		08.07.16	PART NO. BM10B(0.6)-*DP-0.4V(51)		
DESIGNED : YH. MICHIDA		08.07.16	CODE NO. CL684		
DRAWN : YH. MICHIDA		08.07.16	1/2		



PART No.	CODE No.	K	L	M	N
BM10B(0.6)-10DP-0.4V(51)	CL684-6304-0-51	12	5.5	13.5	17.5
BM10B(0.6)-20DP-0.4V(51)	CL684-6313-1-51	16	7.5	17.5	21.5
BM10B(0.6)-24DP-0.4V(51)	CL684-6302-5-51	16	7.5	17.5	21.5
BM10B(0.6)-30DP-0.4V(51)	CL684-6307-9-51	16	7.5	17.5	21.5
BM10B(0.6)-34DP-0.4V(51)	—	16	7.5	17.5	21.5
BM10B(0.6)-40DP-0.4V(51)	CL684-6316-0-51	24	11.5	25.5	29.5
BM10B(0.6)-50DP-0.4V(51)	CL684-6309-4-51	24	11.5	25.5	29.5
BM10B(0.6)-60DP-0.4V(51)	CL684-6300-0-51	24	11.5	25.5	29.5

HRS	DRAWING NO.	EDC3-318408-02
	PART NO.	BM10B(0.6)-*DP-0.4V(51)
	CODE NO.	CL684

3/2