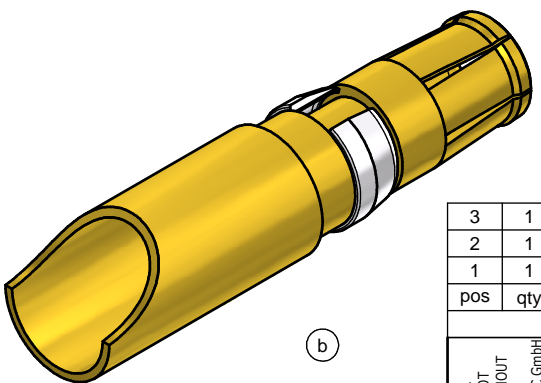
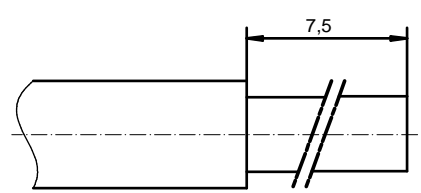


(b) STRIPPING DIMENSION



(b)

plating item 1	part no.
GOLD FLASH over NICKEL	132A10049X
30µin HARD GOLD over min. 50µin NICKEL	132C10049X

(b)

3	1	RETAINING RING	COPPER ALLOY	NICKEL PLATED
2	1	REAR SIDE	COPPER ALLOY	GOLD
1	1	MATING SIDE	COPPER ALLOY	SEE TABLE
pos	qty	description	material	plating

THIS DRAWING MAY NOT BE COPIED OR REPRODUCED IN ANY WAY, AND MAY NOT BE PASSED ON TO A THIRD PARTY WITHOUT WRITTEN PERMISSION. OWNERSHIP AND COPYRIGHT OF CONEC GmbH DO NOT ALTER CAD DRAWING BY HAND	partlist			tolerance		scale: 5:1	
				dim. in mm		material: see partlist	
	5 x b	A5637	05.05.15	M.H.	drawn 23.03.1998	Barcinski	HIGH POWER CONTACT FEMALE SOLDER CUP 40A D-SUB COMBINATION
	a	Original			appd. 23.03.1998	Mickenbecker	
	rev.	description	date	name	norm		
			d-old	13K2IE6A		dwg no: (b) 13K1IE6A	
						DIN-A3 sh: 1	
						part no: see table	

RoHS compliant

(b)