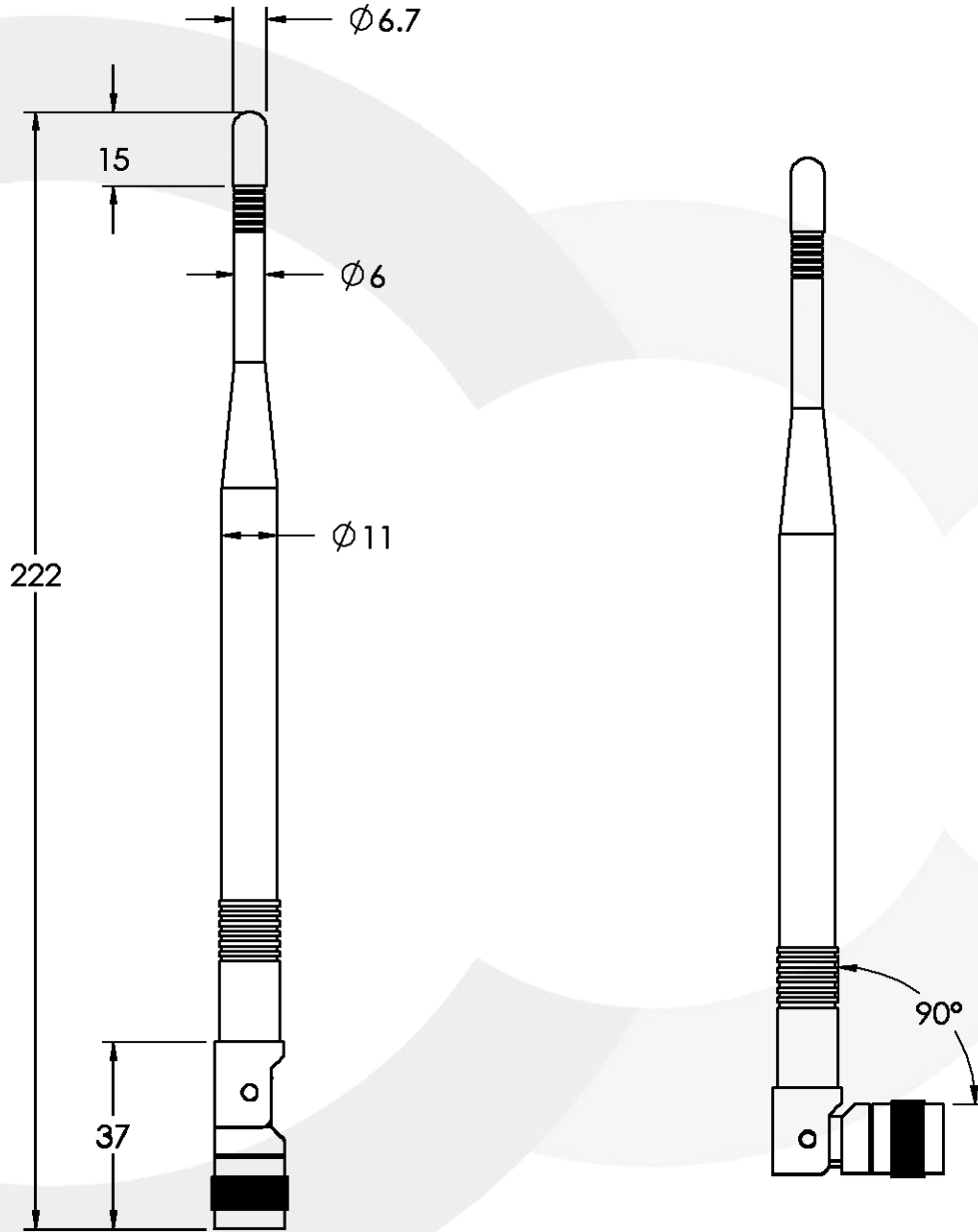


SWIVEL DIPOLE 890 – 960 GHZ – GAIN : 2 dBi
SMA - Male
OMNIDIRECTIONAL ANTENNA

SPDA24918

Series : ANTENNA



All dimensions are in mm

Issue : 0710

In the effort to improve our products, we reserve the right to make changes judged to be necessary.



SWIVEL DIPOLE 890 – 960 GHZ – GAIN : 2 dBi
SMA - Male
OMNIDIRECTIONAL ANTENNA

SPDA24918
Series : ANTENNA

ELECTRICAL SPECIFICATIONS

Frequency : **890 - 960 MHz**
Nominal Impedance : **50 Ω**
Antenna Type: **Sleeve dipole**
VSWR : **2:1 Maxi.**
VSWR : **1.5:1 Typical**

Peak Gain : **+2.0 dBi +/- 1 dB**
Average Gain: **+1.5 dBi +/- 1 dB**
Gain Ripple: **+/- 0.5 dB**

Radiation Pattern

-3 dB beamwidth

Horizontal Plane : **360°**
Vertical Plane : **76° ±3°**

Polarization : **VERTICAL**

Power withstanding : **2 W**

Connector type : **SMA Male**

Cable type : **none**

MECHANICAL SPECIFICATIONS

Plastic radome : **Polyurethane**
Color : **Black**

SWIVEL DIPOLE 890 – 960 GHZ – GAIN : 2 dBi
SMA - Male
OMNIDIRECTIONAL ANTENNA

SPDA24918

Series : ANTENNA

Weight :

26 g

Overall length :

222 mm
8.75 inches

ENVIRONMENTAL SPECIFICATIONS

Operating temperature :

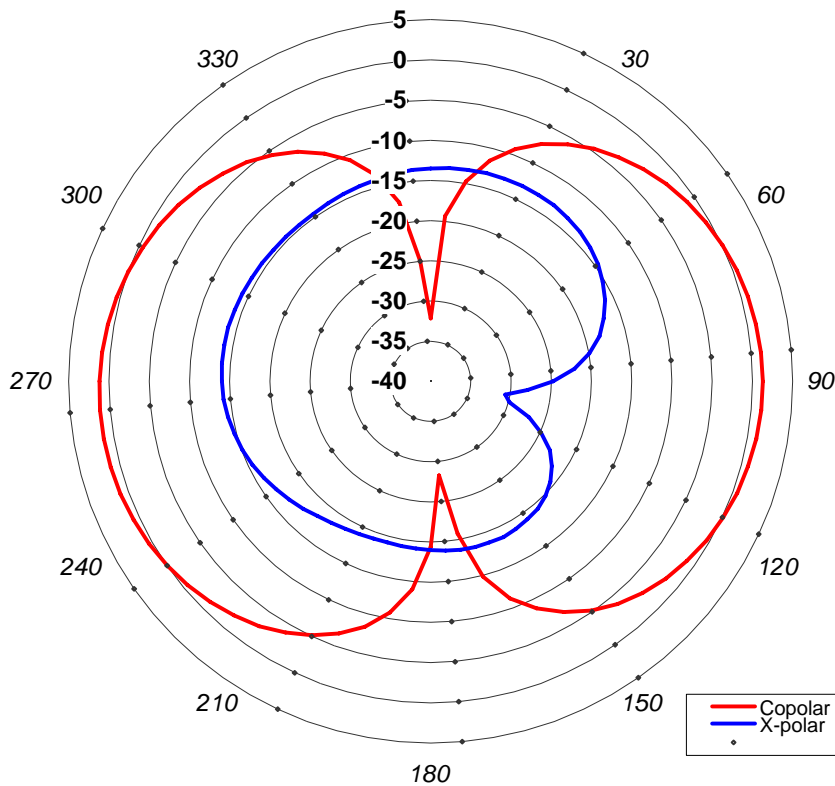
-30/+60 ° C

Humidity:

Up to 100% @ 38°C

CURVES

**Gain, Dipolar Plane
dBi**



Issue : 0710

In the effort to improve our products, we reserve the right to make changes judged to be necessary.

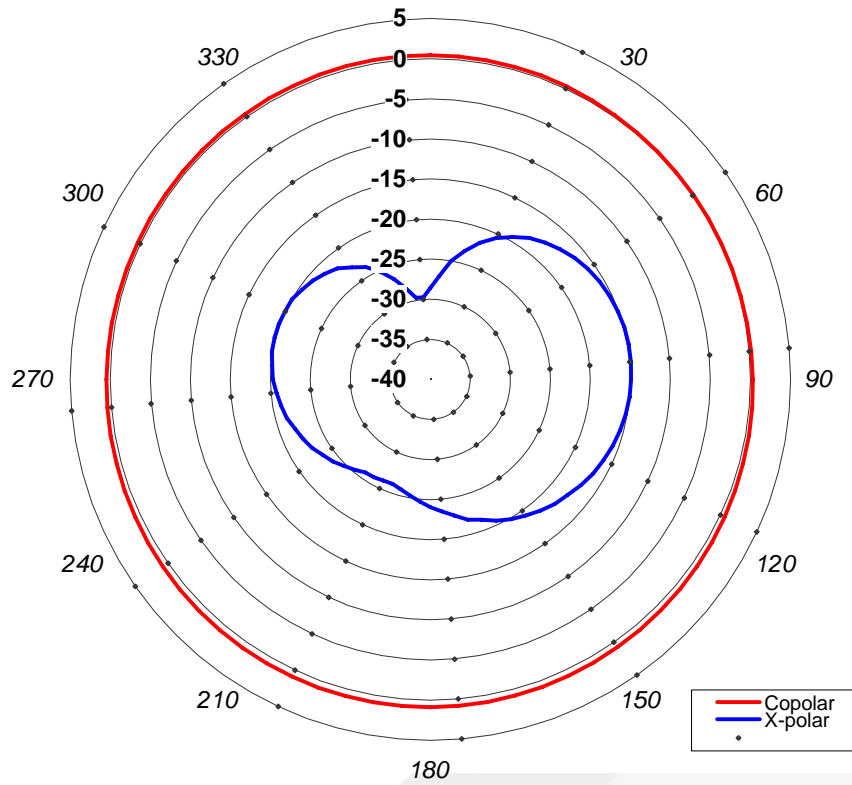


SWIVEL DIPOLE 890 – 960 GHZ – GAIN : 2 dBi
SMA - Male
OMNIDIRECTIONAL ANTENNA

SPDA24918

Series : ANTENNA

Gain, Omnidirectional Plane
dBi



Issue : 0710

In the effort to improve our products, we reserve the right to make changes judged to be necessary.

