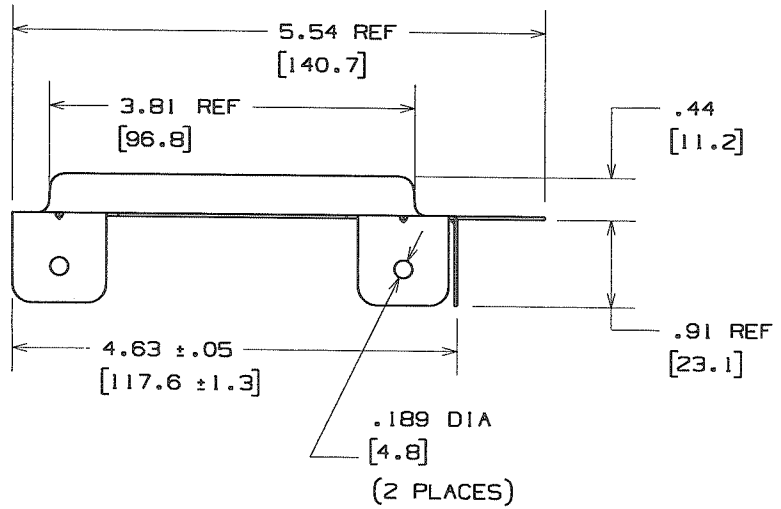
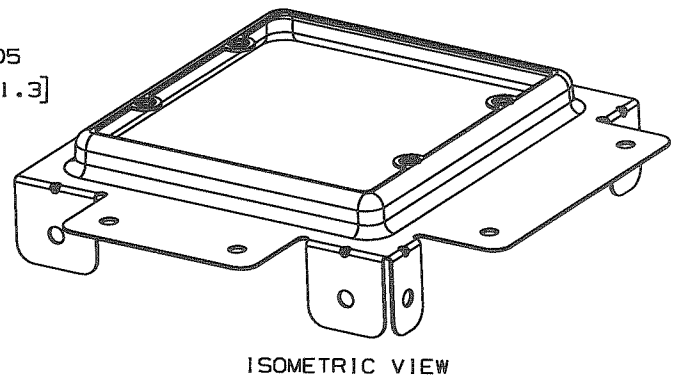
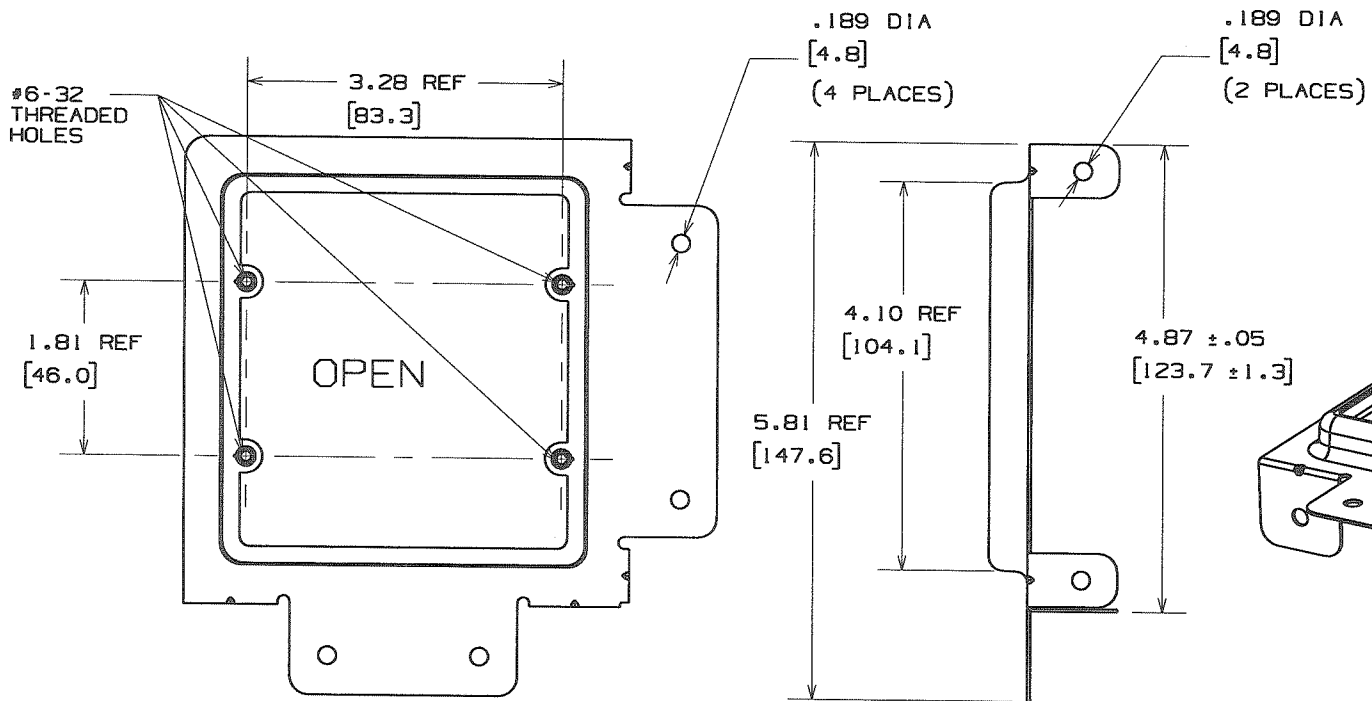


THIS COPY IS PROVIDED ON A RESTRICTED BASIS AND IS NOT TO BE USED IN ANY WAY DETRIMENTAL TO THE INTERESTS OF PANDUIT CORP.



- NOTES:
1. SEE CURRENT PRICE SHEET FOR PART NUMBER SUFFIX DESIGNATION FOR PACKAGE SIZE.
 2. FASTENERS ARE NOT INCLUDED WITH THIS PRODUCT.
 3. PRODUCT WEIGHT: 4.8lbs/25 PIECES, 2.2kg/25 PIECES.

DIMENSIONS IN BRACKETS ARE METRIC [mm]	
CAD FILENAME/LAYERS G03668BD_DC_GB3668BD/03A	
PANDUIT CORP. TINLEY PARK, ILLINOIS	
LV-S-2G LOW VOLTAGE DOUBLE GANG BRACKET	
UNLESS OTHERWISE SPECIFIED, DIMENSIONAL TOLERANCES ARE: (.X) ±0.05 [1.3] (.XXX) ±0.010 [0.25] (.XX) ±0.02 [0.5] ANGLES ±5°	UNLESS OTHERWISE SPECIFIED, ALL DIMENSIONS ARE GIVEN IN INCHES, THIRD ANGLE PROJECTION.
DRAWN BY ARHA	MAT'L: PRE - GALVANIZED STEEL
DATE 10-28-09	SCALE 1:2
CHK'D V.L.R.	DRAWING NO. GB3668BD
REV	DWG A

03A	10/28/09	ARHA	CHK	INITIAL RELEASE	GB3668BD	03A	KW		
REV	DATE	BY	CHK	DESCRIPTION	ECN	- R	CUST	SUP	