

Customer Information Sheet

DRAWING No.: M50-313XX45X

SHEET 3 OF 4

IF IN DOUBT - ASK

©

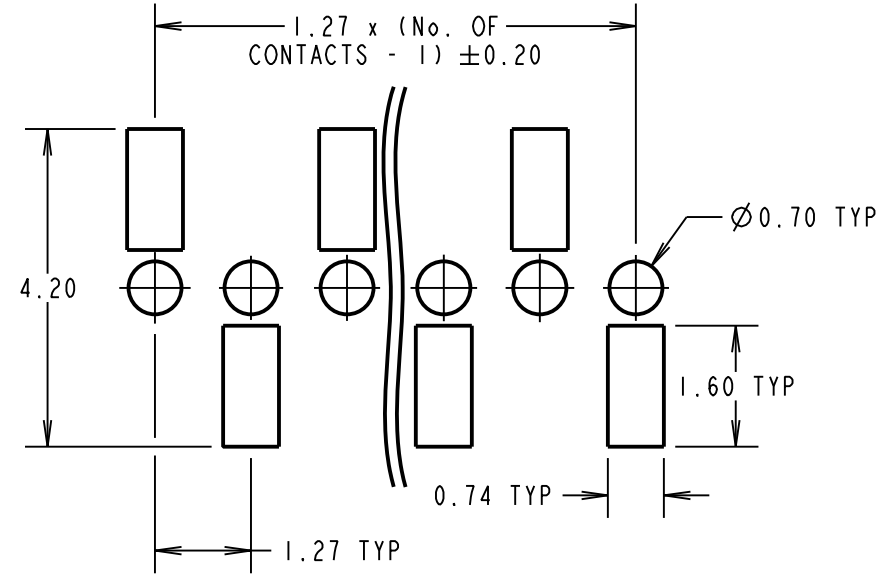
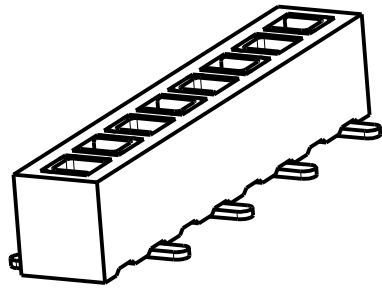
NOT TO SCALE

THIRD ANGLE PROJECTION

ALL DIMENSIONS IN mm

RECOMMENDED PCB LAYOUT
(TOLERANCE = ± 0.05)

NOTES:
1. FOR TAPE AND REEL DEATAILS, SEE SHEET 4.

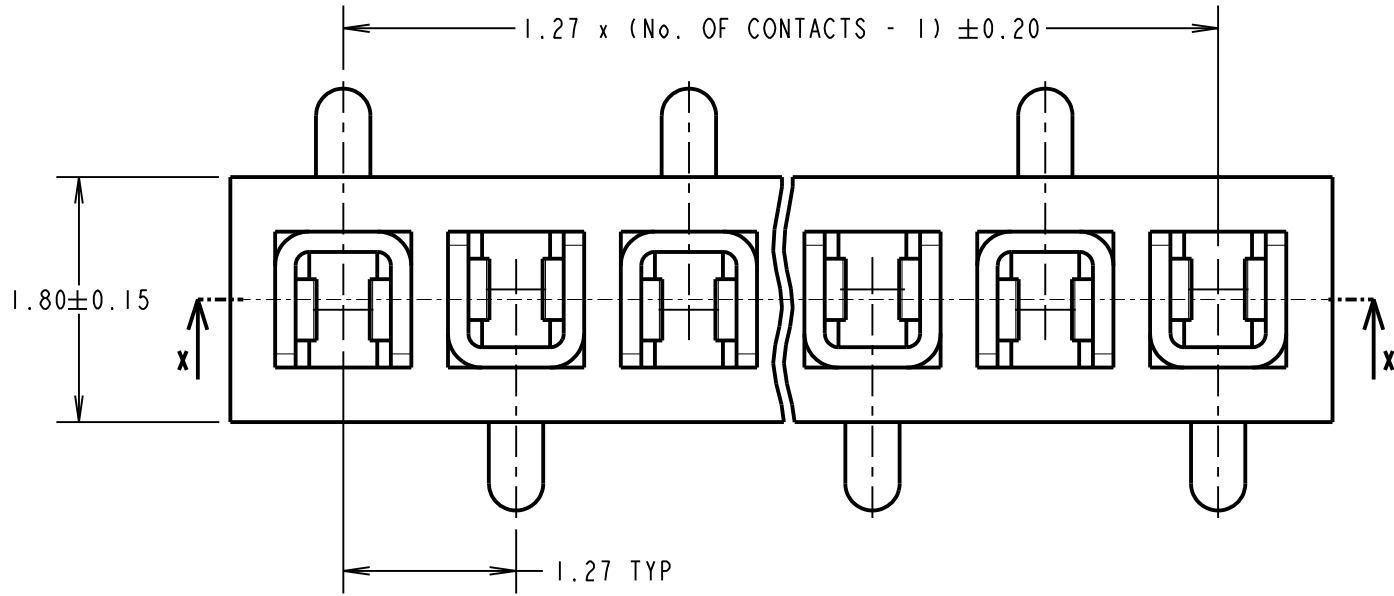


ORDER CODE:

M50-313XX45X

No. OF CONTACTS: _____
02 TO 06, 08, 10, 20

PACKING: _____
BLANK = TUBE
R = TAPE AND REELED (SHEET 4)



SPECIFICATIONS:

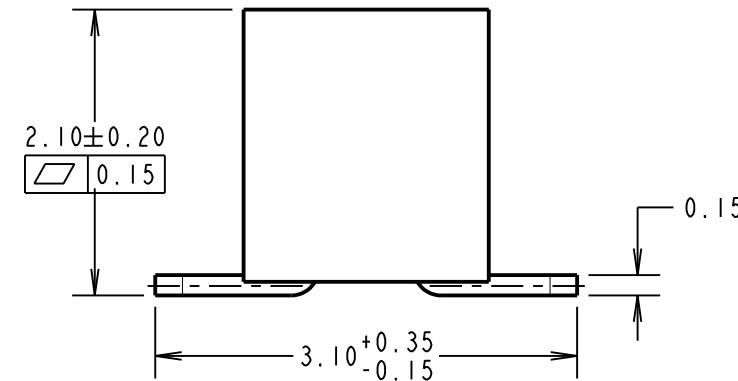
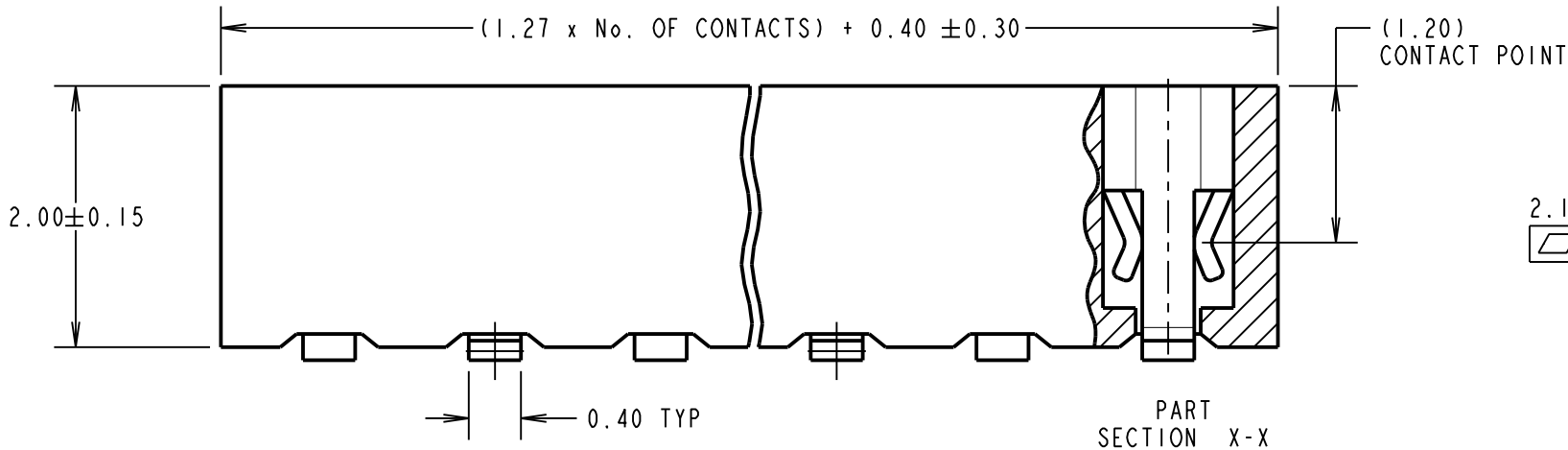
MATERIAL:
MOULDING = PA9T, UL94V-0, BLACK
CONTACT = PHOSPHOR BRONZE
FINISH = 0.012 μ MIN GOLD, OVER
0.76 μ - 1.52 μ NICKEL

ELECTRICAL:
CURRENT RATING = 1A
DIELECTRIC VOLTAGE = 500V AC FOR ONE MINUTE
CONTACT RESISTANCE = 20m Ω MAX
INSULATION RESISTANCE = 1000M Ω MIN

MECHANICAL:
DURABILITY = 300 CYCLES MIN
INSERTION FORCE = 1.18N MAX PER CONTACT
WITHDRAWAL FORCE = 0.19N MIN PER CONTACT

ENVIRONMENTAL:
OPERATING TEMPERATURE = -40°C TO +105°C

PACKING:
TUBE (02 CONTACT SIZE PACKED IN BOX)
FOR COMPLETE SPECIFICATIONS, SEE COMPONENT SPECIFICATION C029XX (LATEST ISSUE)



MS	2	25.11.16	20154
NAME	ISS.	DATE	C/NOTE
APPROVED:		M. PERREN	
CHECKED:		S. BENNETT	
DRAWN:		S. BENNETT	
CUSTOMER REF.:			
ASSEMBLY DRG:			

HARWIN

www.harwin.com
technical@harwin.com

THIS DRAWING AND ANY INFORMATION OR DESCRIPTIVE MATTER SET OUT HEREON ARE CONFIDENTIAL AND COPYRIGHT PROPERTY OF THE HARWIN GROUP AND MUST NOT BE DISCLOSED, LOANED, COPIED OR USED FOR MANUFACTURING, TENDERING OR FOR ANY OTHER PURPOSE WITHOUT THEIR WRITTEN PERMISSION.

TOLERANCES
X. = ± 1 mm
X.X = ± 0.25 mm
X.XX = ± 0.10 mm
X.XXX = ± 0.01 mm
ANGLES = $\pm 5^\circ$
UNLESS STATED

MATERIAL:
SEE ABOVE
FINISH:
SEE ABOVE
S/AREA:
mm²

TITLE:
1.27mm PITCH, SIL VERTICAL DUAL ENTRY SOCKET
DRAWING NUMBER:
M50-313XX45X

Customer Information Sheet

DRAWING No.: M50-313XX45X

SHEET 4 OF 4

IF IN DOUBT - ASK

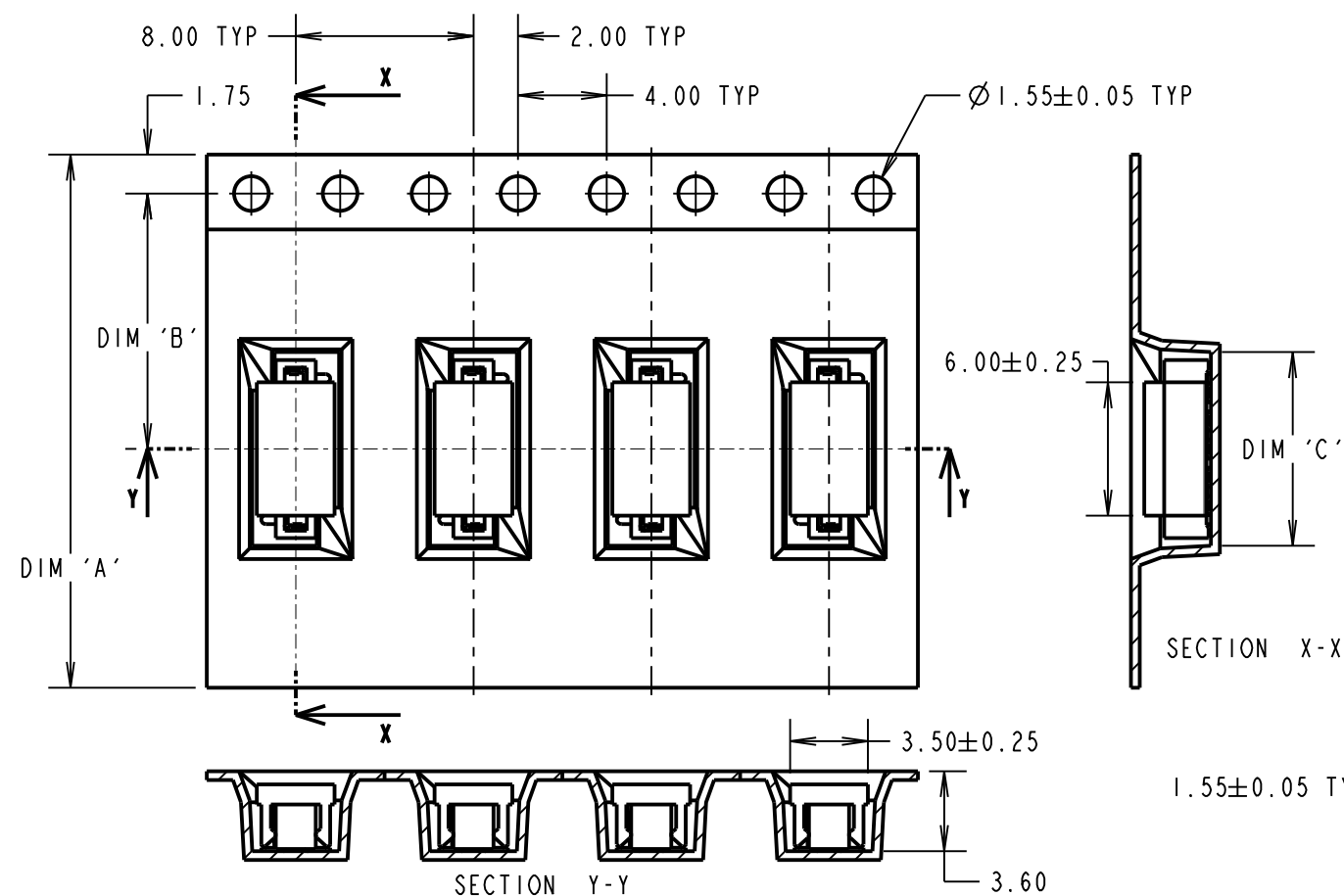
©

NOT TO SCALE

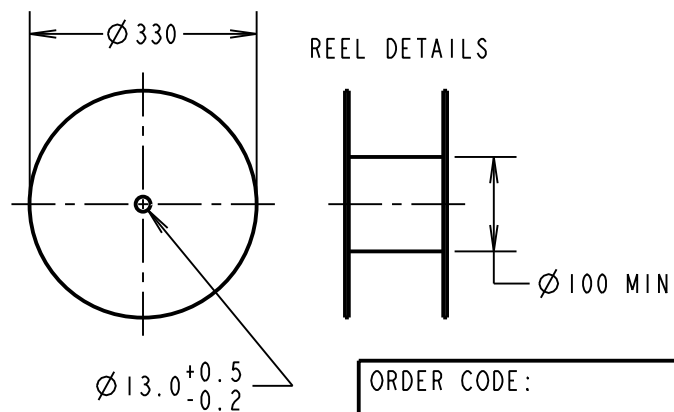
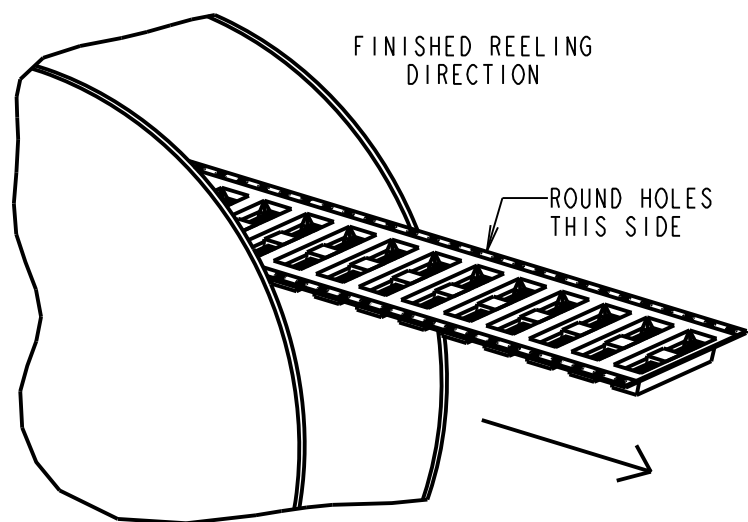
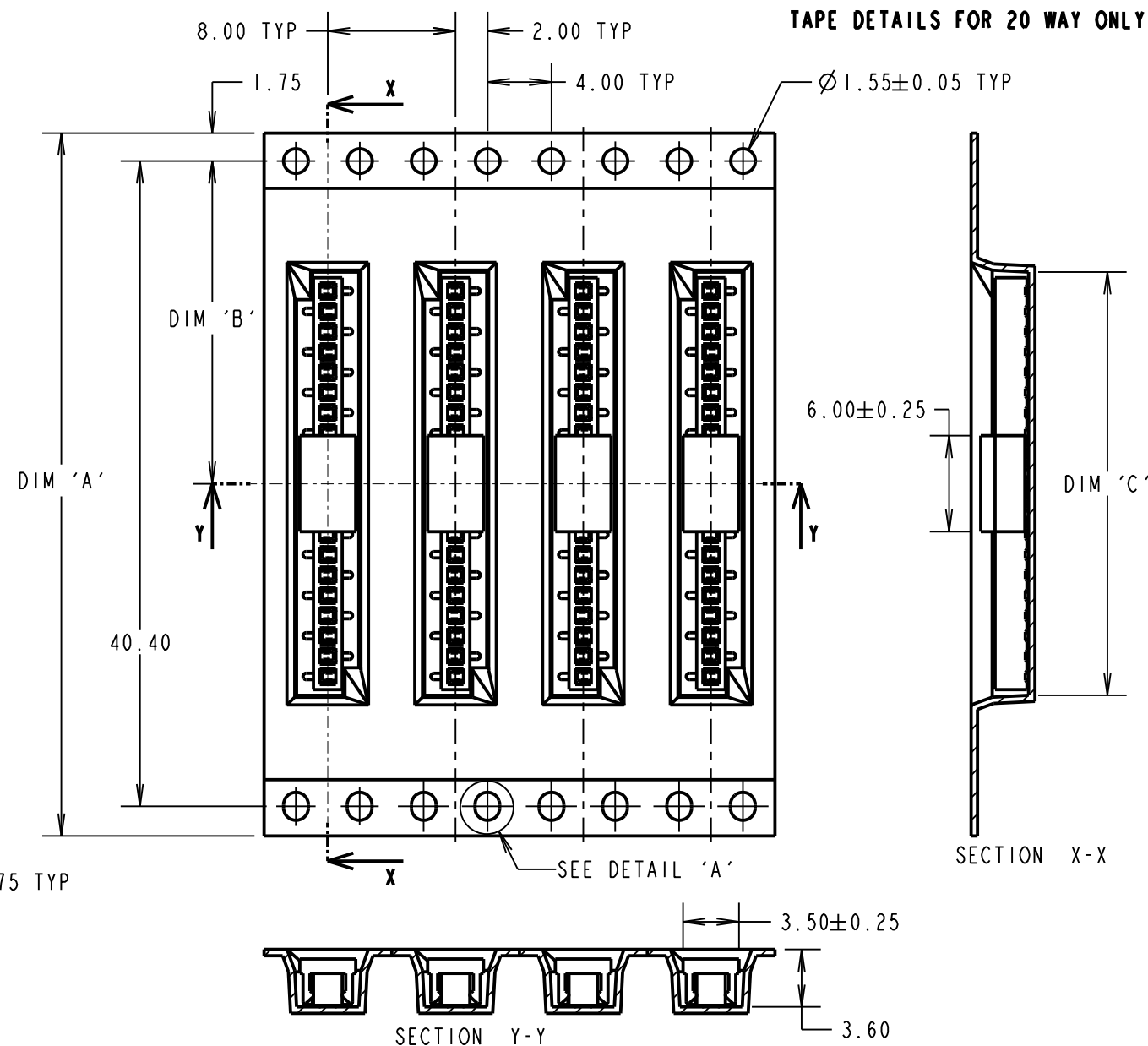
THIRD ANGLE PROJECTION

ALL DIMENSIONS IN mm

TAPE DETAILS FOR 02 TO 06, 08 & 10 WAYS ONLY



TAPE DETAILS FOR 20 WAY ONLY



ORDER CODE:
M50-313XX45X

No. OF CONTACTS: _____
02 TO 06, 08, 10, 20

PACKING: _____
BLANK = TUBE (SHEET 3)
R = TAPE AND REELED

PART No.	DIMENSION			REEL QUANTITY
	DIM 'A'	DIM 'B'	DIM 'C'	
M50-3130242R	16.00±0.30	7.50	6.40	2000
M50-3130342R			7.15	
M50-3130442R			8.42	
M50-3130542R	24.00±0.30	11.50	10.96	
M50-3130642R			13.50	
M50-3130842R			26.20	
M50-3131042R	44.00±0.30	20.20±0.15	26.20	
M50-3132042R				

MS	2	25.11.16	20154
NAME	ISS.	DATE	C/NOTE
APPROVED:		M.PERREN	
CHECKED:		S.BENNETT	
DRAWN:		S.BENNETT	
CUSTOMER REF.:			
ASSEMBLY DRG:			

NOTES:
1. FOR CONNECTOR DETAILS AND SPECIFICATIONS, SEE SHEET 3.
2. PRODUCT IS TAPE AND REELED IN GENERAL ACCORDANCE WITH EIA-481 (ELECTRAL INDUSTRIES ASSOCIATION).

HARWIN

www.harwin.com
technical@harwin.com

THIS DRAWING AND ANY INFORMATION OR DESCRIPTIVE MATTER SET OUT HEREON ARE CONFIDENTIAL AND COPYRIGHT PROPERTY OF THE HARWIN GROUP AND MUST NOT BE DISCLOSED, LOANED, COPIED OR USED FOR MANUFACTURING, TENDERING OR FOR ANY OTHER PURPOSE WITHOUT THEIR WRITTEN PERMISSION.

TOLERANCES
X. = ±1mm
X.X = ±0.25mm
X.XX = ±0.10mm
X.XXX = ±0.01mm
ANGLES = ±5°
UNLESS STATED

MATERIAL:
SEE ABOVE
FINISH: SEE ABOVE
S/AREA: mm²

TITLE:
1.27mm PITCH, SIL VERTICAL DUAL ENTRY SOCKET

DRAWING NUMBER:
M50-313XX45X

SHT
4
OF
4