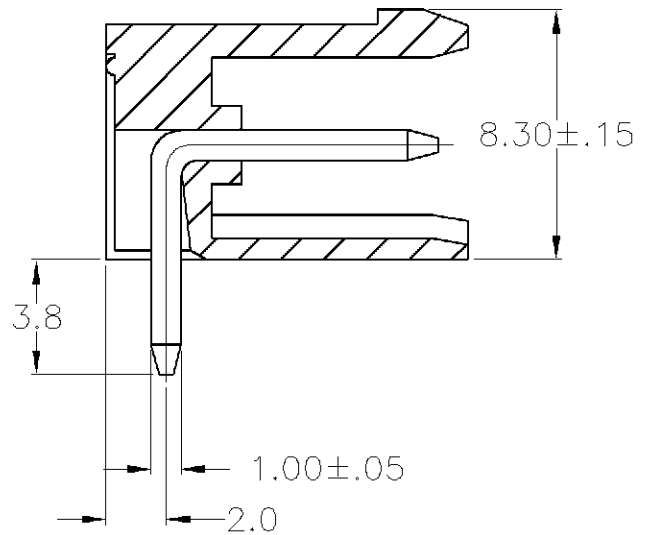
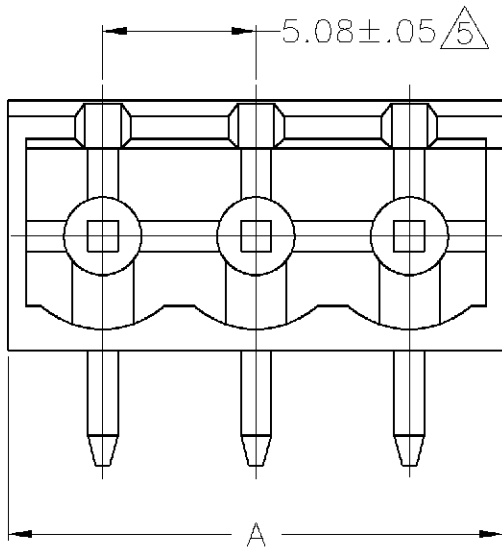


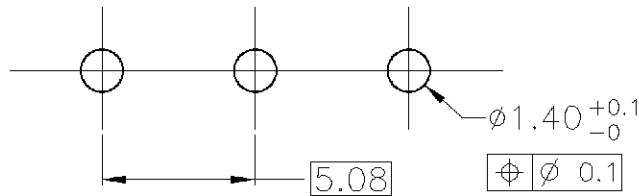
LOC	DIST	REVISIONS					
FT	0	P	LTR	DESCRIPTION	DATE	DWN	APVD
		A		RELEASED	06SEP2001	EZ	SY

NOTES:

1. MATERIALS AND FINISH
HOUSING PBT, UL 94-V0, GREEN
TERMINAL: BRASS, TIN PLATED
2. RATINGS: 12A, 300V
3. SUITABLE FOR 1.6 - 2.4 mm PC BOARD THICKNESS
4. UL RECOGNITION & CSA CERTIFICATION PENDING
5. NOT CUMULATIVE TOLERANCE



RECOMMENDED PC BOARD LAYOUT



1546097-3	3	16.44
PART No	No POS.	DIMENSION A

THIS DRAWING IS UNPUBLISHED.

ALL RIGHTS RESERVED.

COPYRIGHT BY TYCO ELECTRONICS CORPORATION.

DIMENSIONS: MM	DWN	E. ZANOLINI	06SEP2001	MATERIAL	-	FINISH	-
	CHK	S. YODER	06SEP2001	BUCHANAN Tyco Electronics Corporation City, State, Zip			
TOLERANCES UNLESS OTHERWISE SPECIFIED:	APVD	S. YODER	06SEP2001				
0 PLC ± -	PRODUCT SPEC	NAME 5.08mm HORIZONTAL SHROUDED CLOSED END HEADER, SPECIAL DIMENSIONS					
1 PLC ± .2	APPLICATION SPEC						
2 PLC ± .25	WEIGHT	A4 00779 C-1546097					
3 PLC ± -	CUSTOMER DRAWING	SCALE	NTS	SHEET	1 OF 1	REV	A
4 PLC ± -							
ANGLES ± -							