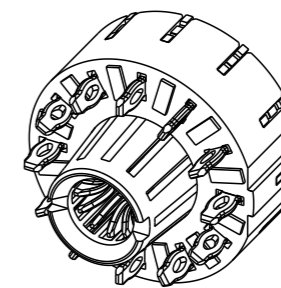
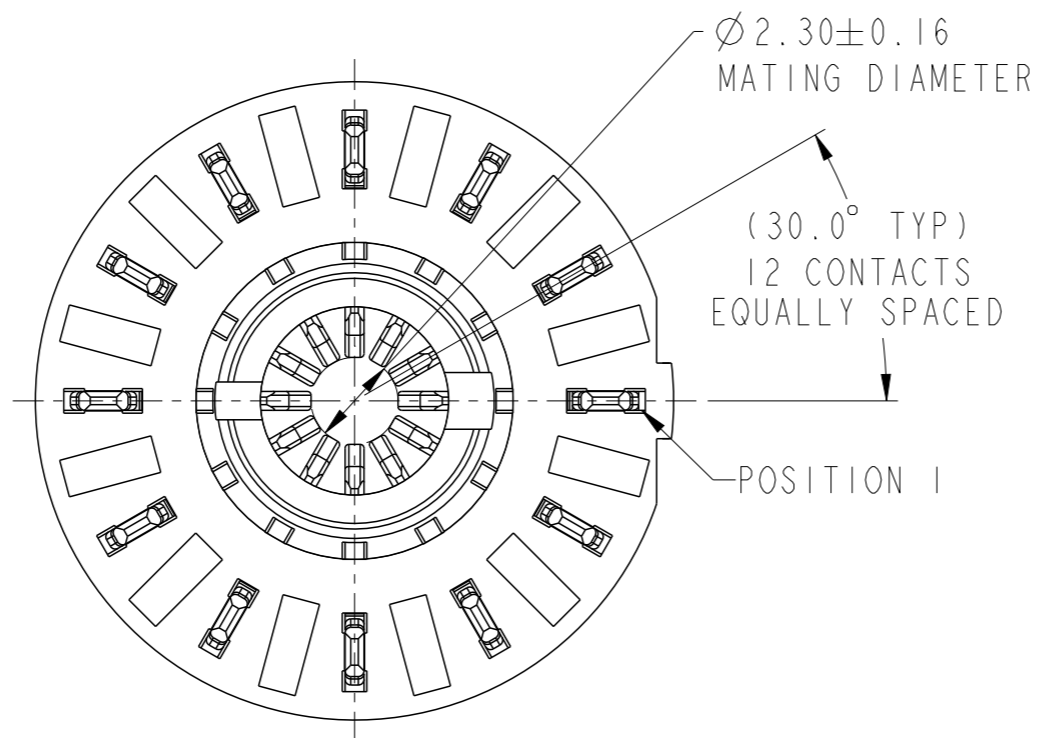
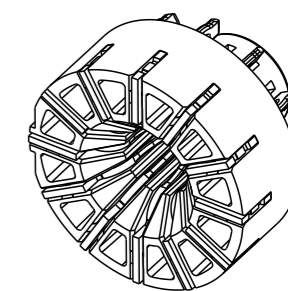


Product number

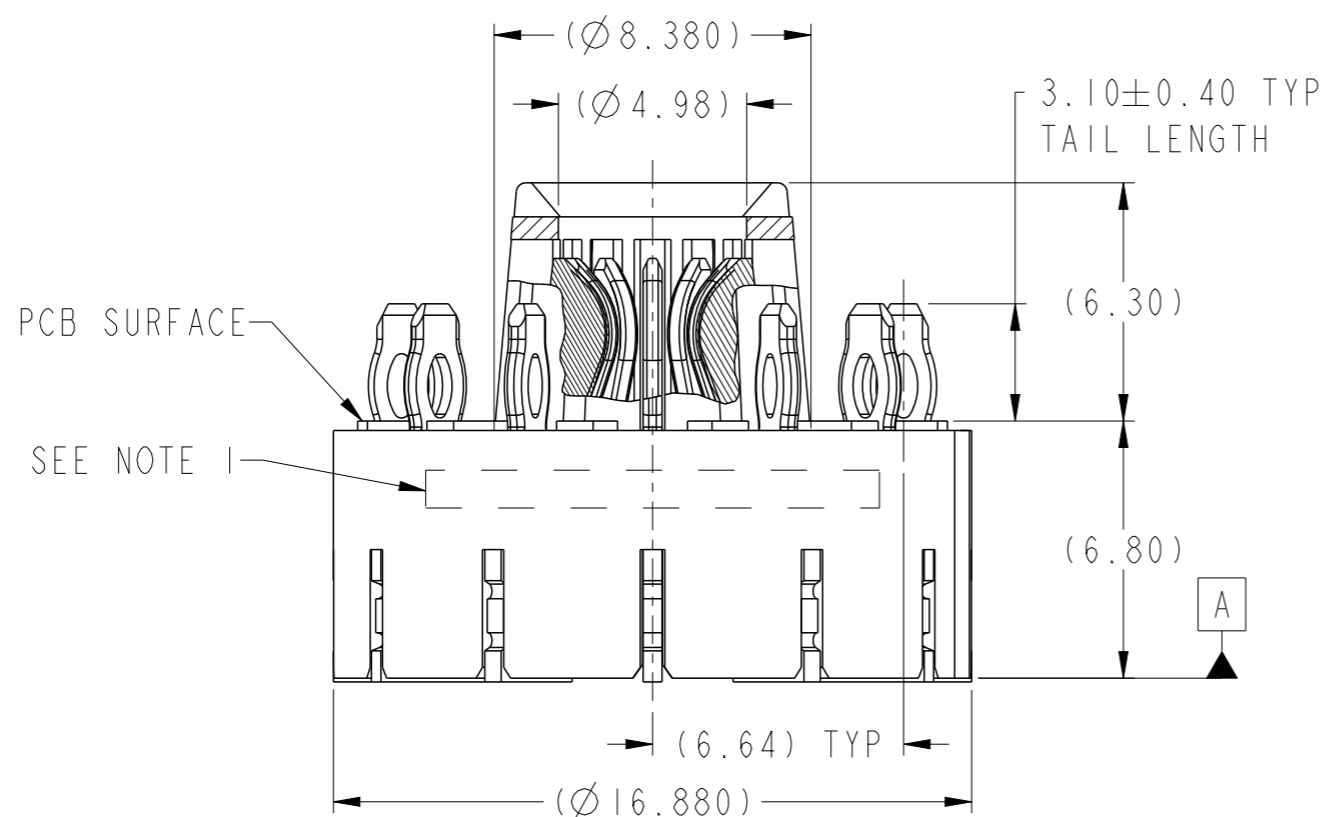
10132381-20360LF



SCALE 2:1



SCALE 2:1



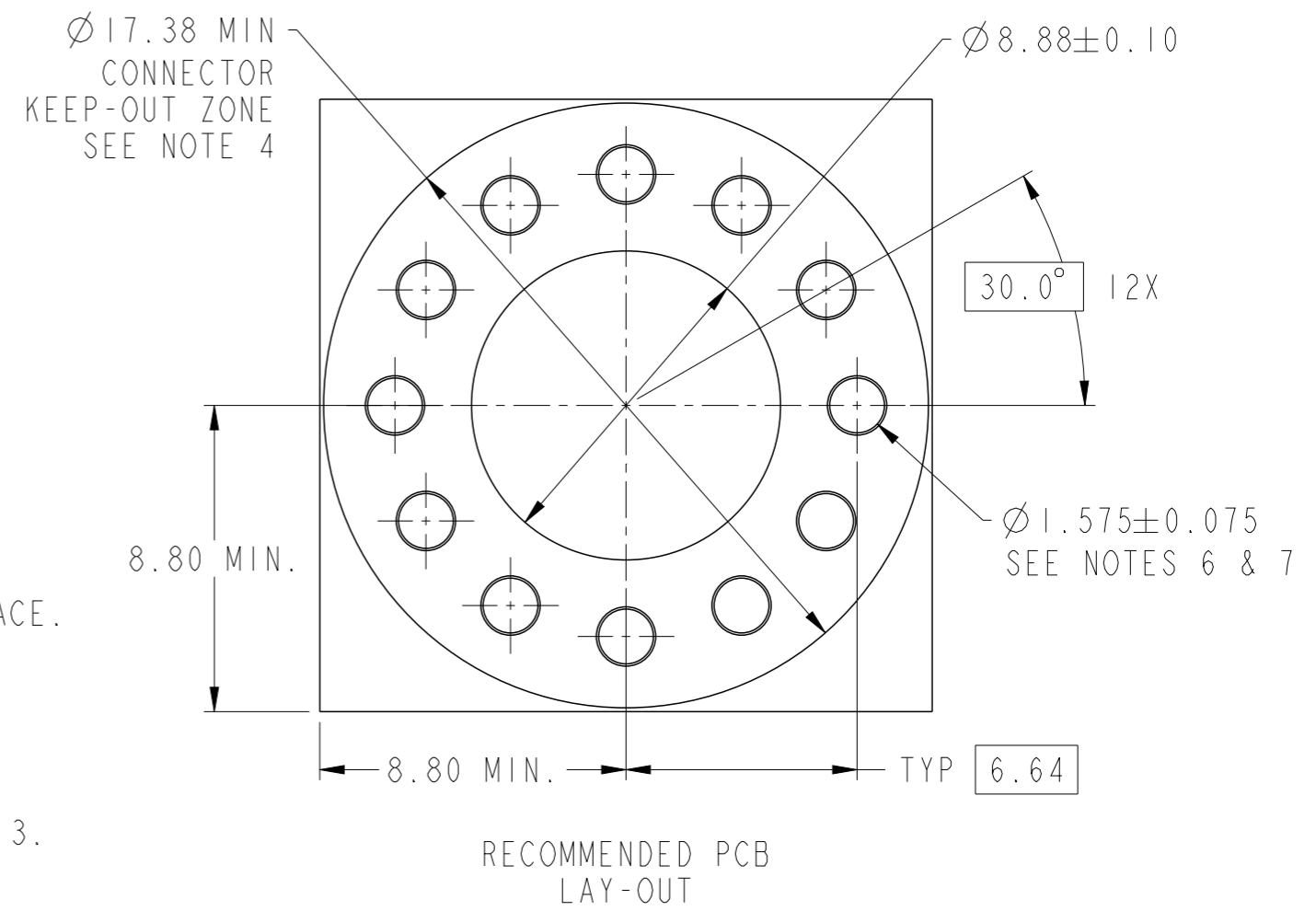
spec ref	-	dr	T Brungard	2015/09/09	projection	mm	size	A3	scale	5:1
tolerance std	ISO 406 ISO 1101	eng	Andy Lu	2017/04/20			ecn no	ELX-DG-26723-1	rel level	Released
TOLERANCES UNLESS OTHERWISE SPECIFIED		chr	QinShan Feng	2017/04/21						
surface	ISO 1302	appr	Pei-Ming Zheng	2017/04/21	ASSEMBLY FOR $\varnothing 3.60\text{mm}$ PIN VERT RECEPTACLE, SheerPwr Circular		dwg no	10132381-20360LF	rev	B
	linear				www.fci.com	cat. no.	-	Product - Customer Drw	sheet 1 of 2	
	angular									

Amphenol FCI

© 2016 AFCI

NOTES:

1. PART NUMBER AND DATE CODE TO BE MARKED ON THIS SURFACE. THE P/N CAN BE OMITTED IF THERE IS NOT ENOUGH SPACE ON THIS SURFACE.
2. MATERIALS:
HOUSING - GLASS FILLED WITH HIGH TEMP POLYAMIDE, UL94V-0.
POWER CONTACTS - HIGH CONDUCTIVITY COPPER ALLOY.
3. PLATING SPECIFICATION - REFER TO PRODUCT SPECIFICATION SECTION 5.3.
4. DENOTES CONNECTOR KEEP OUT ZONE.
5. DATUMS AND BASIC DIMENSIONS ARE ESTABLISHED BY CUSTOMER.
6. ALL HOLE DIAMETERS ARE FINISHED HOLE SIZES.
7. 1.705±0.025mm DRILLED HOLE PLATED WITH 7.62µm MIN Sn OVER 25.4µm-76.2µm Cu PLATING TO ACHIEVE A 1.575±0.075mm FINISHED HOLE.
8. PRODUCT SPECIFICATION - REFER TO FCI GS-12-1316.
APPLICATION SPECIFICATION - REFER TO FCI GS-20-0467.
PRODUCT PACKAGE IN TRAYS - REFER TO FCI GS-14-2526.
9. CONNECTOR DESIGNED TO MATE WITH A Ø3.60±0.03mm MATING PIN. CONNECTOR CAN HANDLE A ±0.64mm PERMANENT MISALIGNMENT OF THE MATING PIN.
10. THIS PRODUCT MEETS EUROPEAN UNION DIRECTIVES AND OTHER COUNTRY REGULATIONS AS DESCRIBED IN GS-47-0004.



spec ref -		dr	T Brungard	2015/09/09	projection	mm	size	A3	scale	5:1
tolerance std ISO 406 ISO 1101		TOLERANCES UNLESS OTHERWISE SPECIFIED			eng	Andy Lu	2017/04/20	ecn no ELX-DG-26723-1		
		chr	QinShan Feng	2017/04/21	product family		SheerPwr	rel level Released		
		appr	Pei-Ming Zheng	2017/04/21	ASSEMBLY FOR Ø3.60mm PIN VERT RECEPTACLE, SheerPwr Circular		dwg no	10132381-20360LF		rev
surface -		linear	0.X ±0.5 0.XX ±0.25 0.XXX ±0.100	www.fci.com		cat. no.	-		Product - Customer Drw	
ISO 1302		angular	0° ±2°					sheet 2 of 2		B