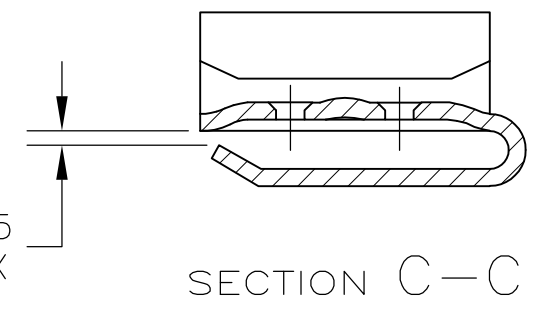
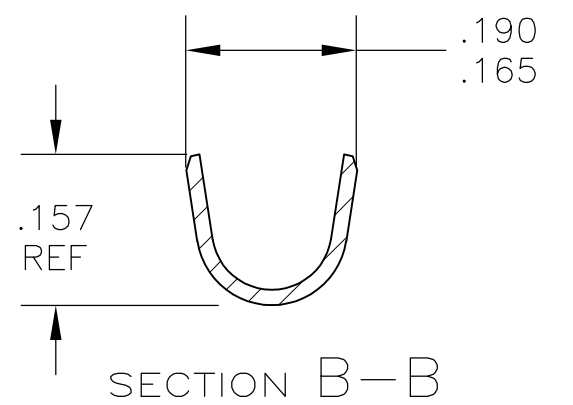
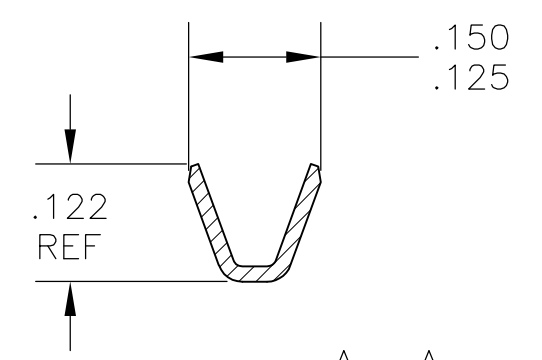
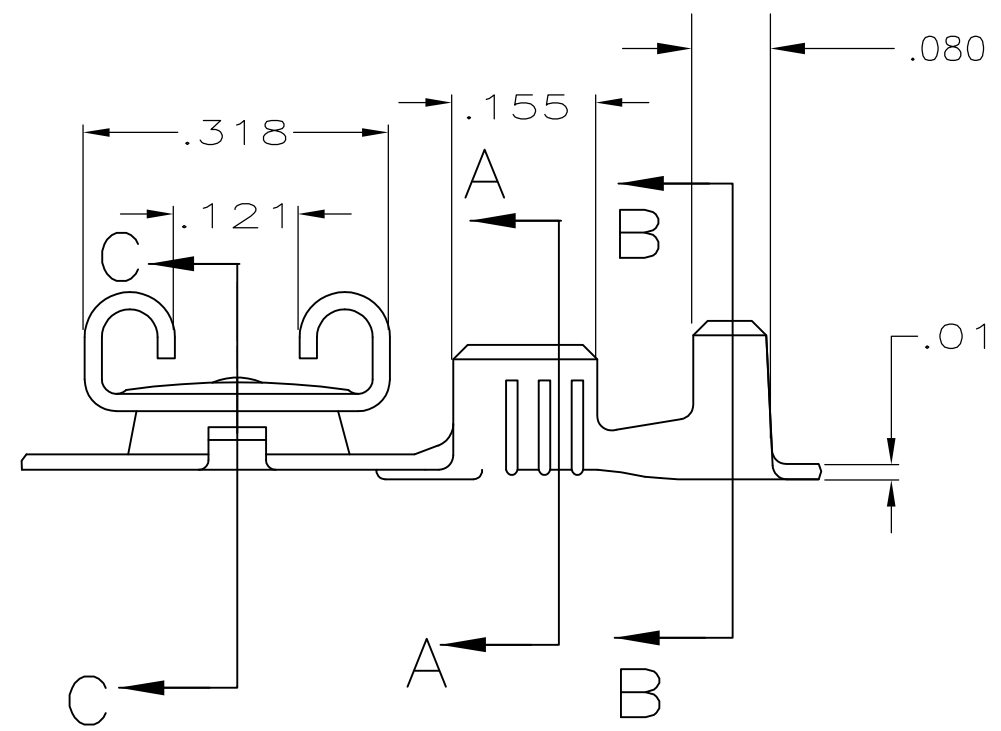
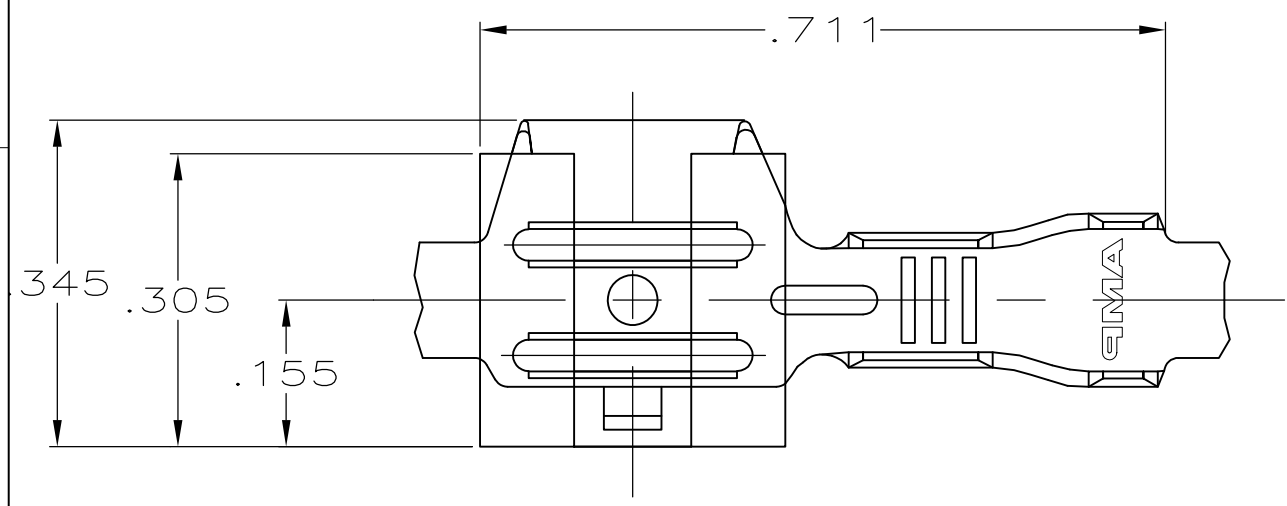


THIS DRAWING IS UNPUBLISHED. RELEASED FOR PUBLICATION  
 © COPYRIGHT - By - ALL RIGHTS RESERVED.

LOC	DIST	REVISIONS			
P	LTR	DESCRIPTION	DATE	DWN	APVD
AF	50				
	D	REVISED PER ECR-12-013518	26NOV2012	KH	PD

- CONTINUOUS STRIP ON REELS.
- WIRE SIZE IS FOR #22-#16 AWG
- INSULATION RANGE IS .090-.130 DIA.
- MATING TAB THK IS .032±.001



1217904-1  
PART NO.

THIS DRAWING IS A CONTROLLED DOCUMENT.		DWN	JR RUTH	05DEC02	<b>TE Connectivity</b> RECEPTACLE, FASTON, FLAG, REVERSIBLE, .250 SERIES						
DIMENSIONS: INCHES		CHK	D DECKER	05DEC02							
TOLERANCES UNLESS OTHERWISE SPECIFIED:		APVD	D DECKER	05DEC02							
0 PLC ± - 1 PLC ± - 2 PLC ± - 3 PLC ± .010 4 PLC ± - ANGLES ± -		NAME									
MATERIAL: BRASS		FINISH: -		PRODUCT SPEC	SIZE	CAGE CODE	DRAWING NO	RESTRICTED TO			
				APPLICATION SPEC	A3	00779	C-1217904	-			
CUSTOMER DRAWING				WEIGHT	-	SCALE	5:1	SHEET	1 OF 1	REV	D