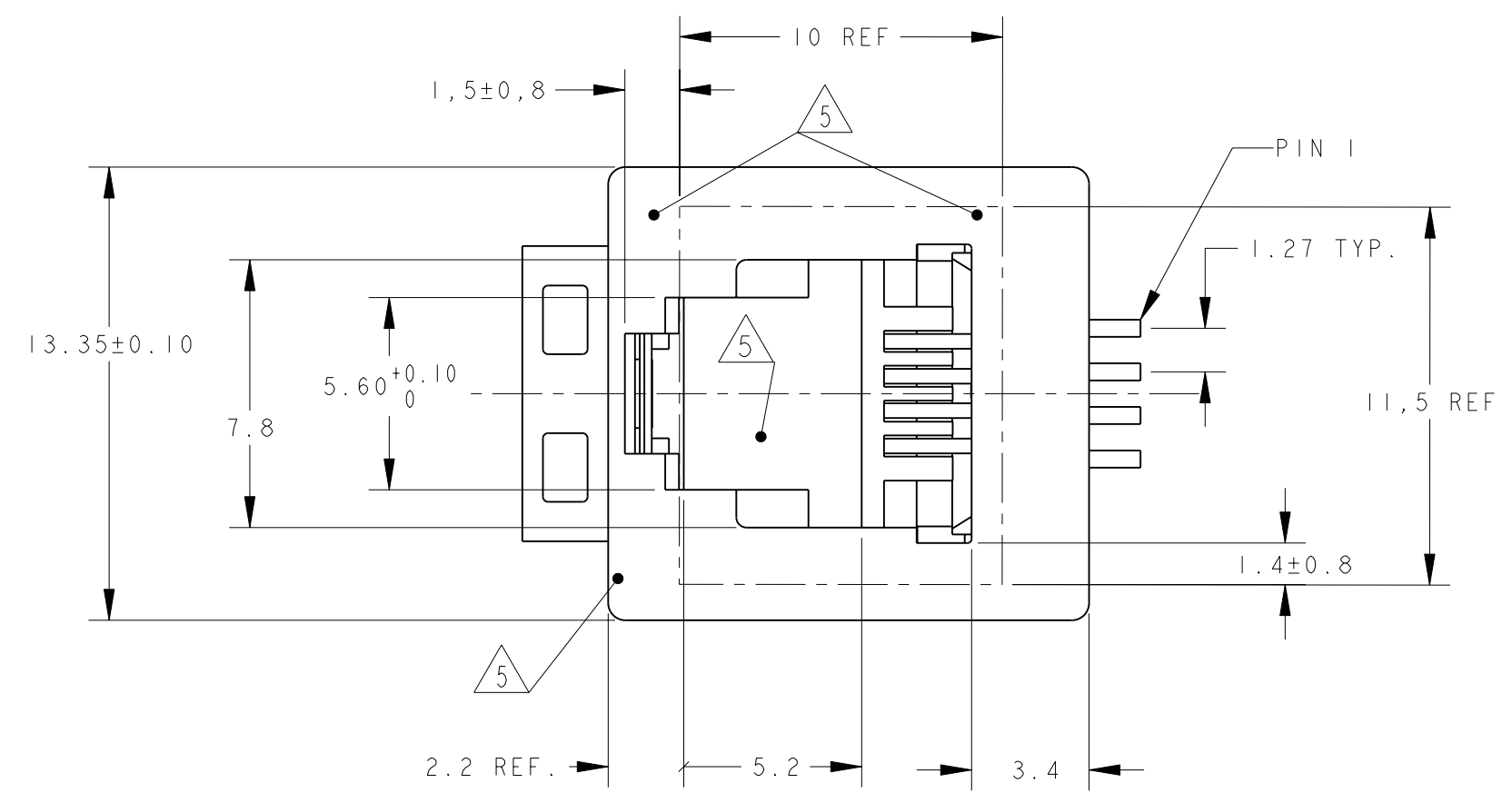
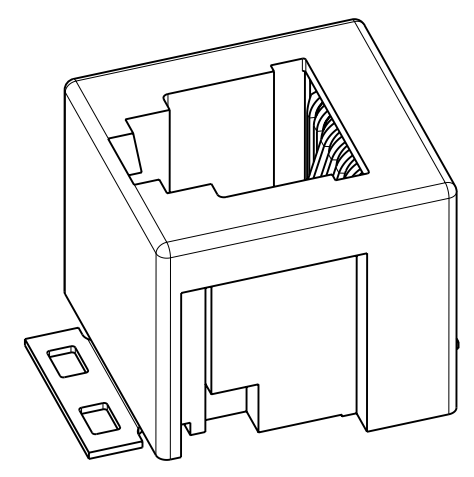


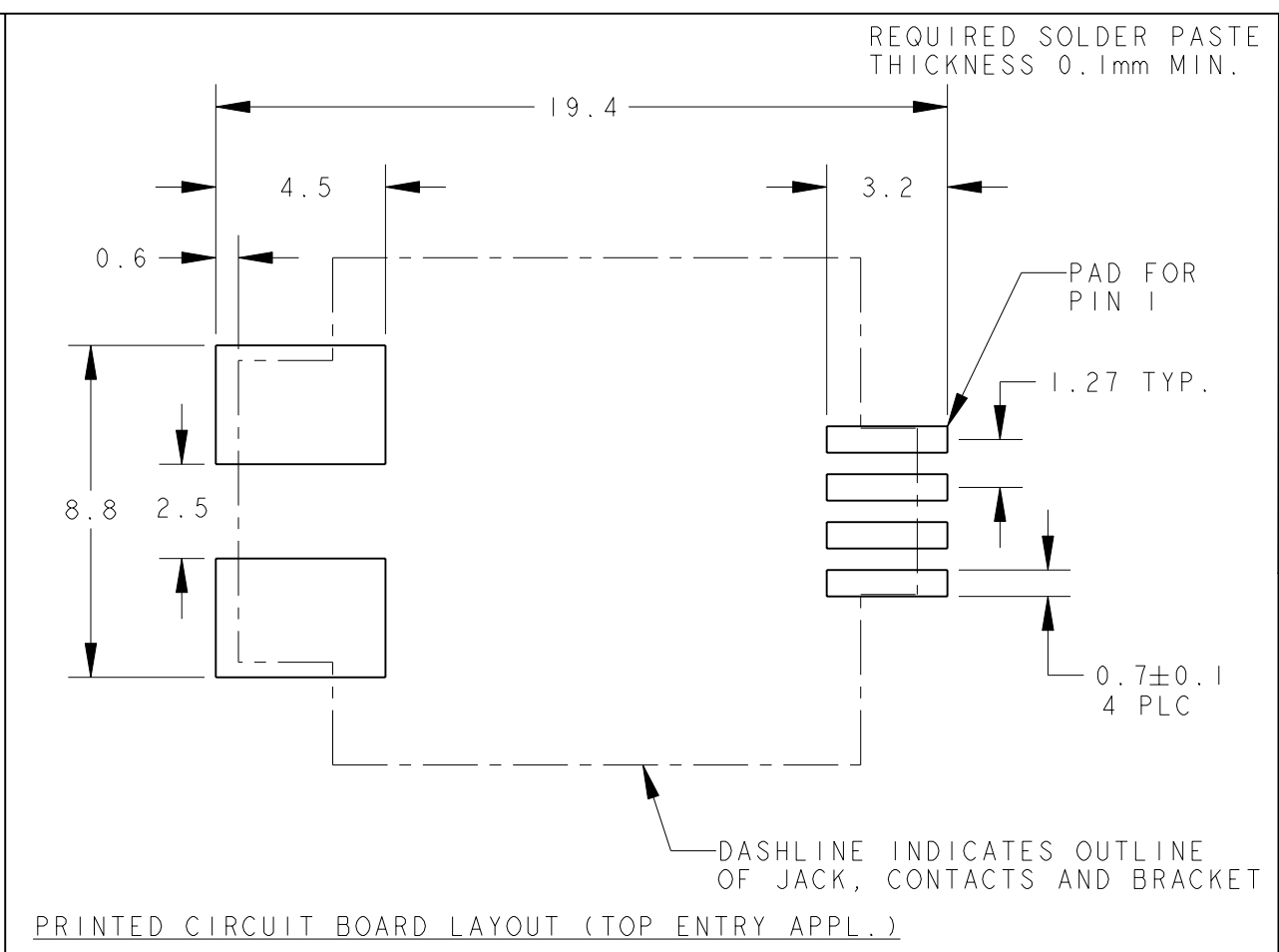
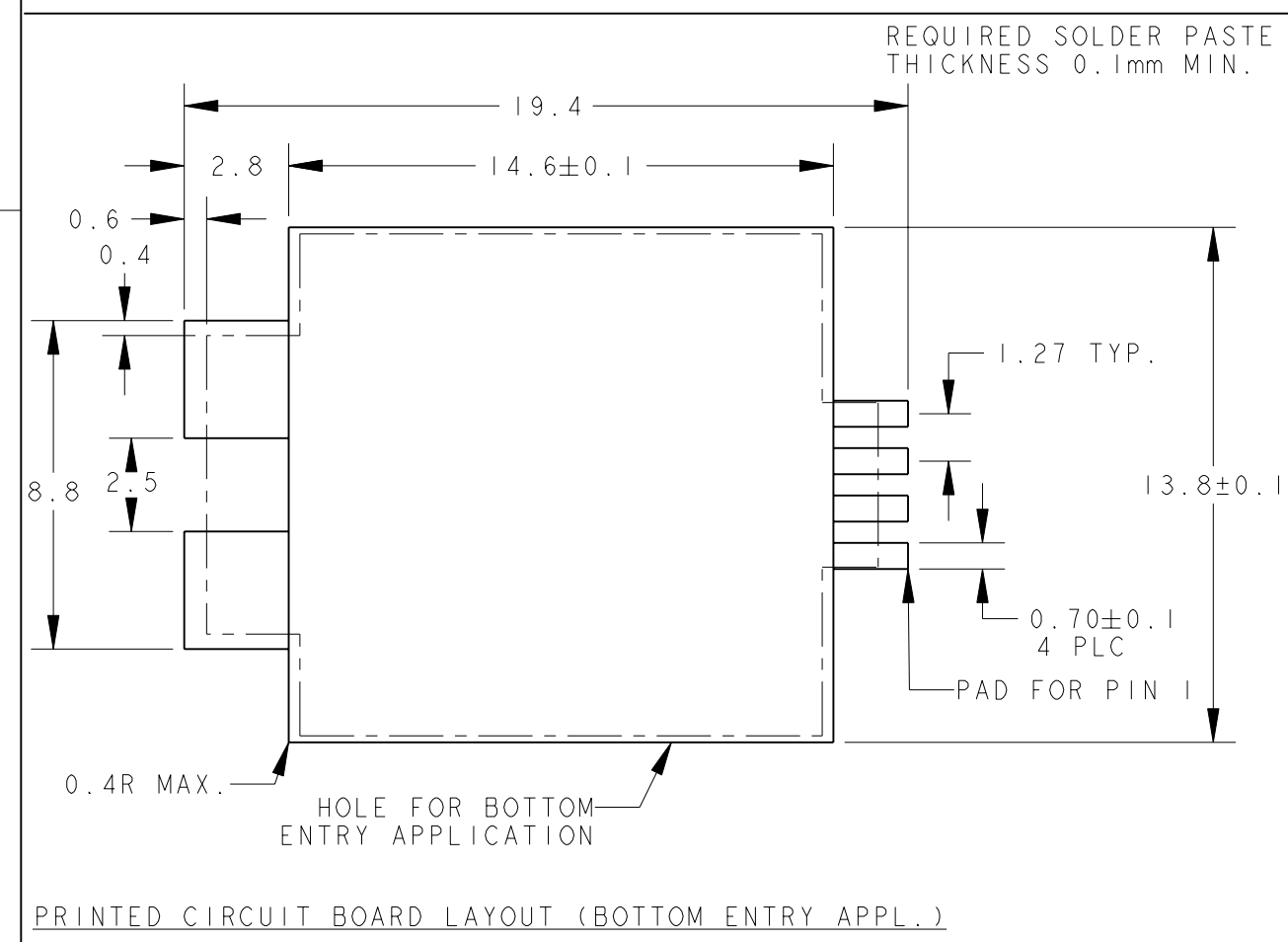
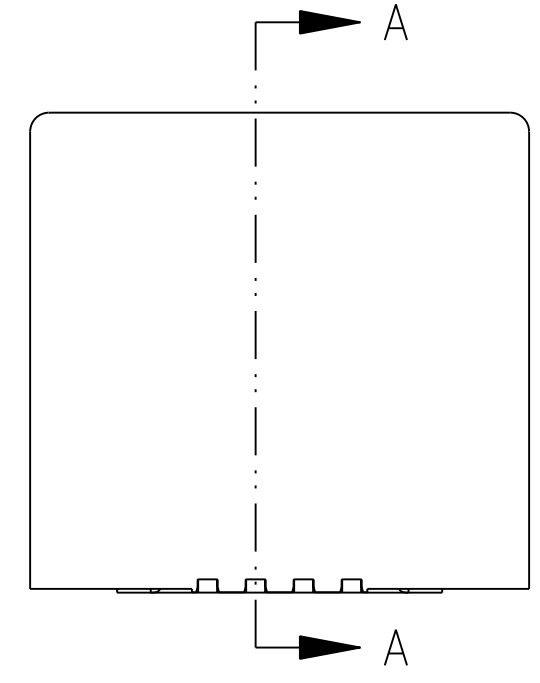
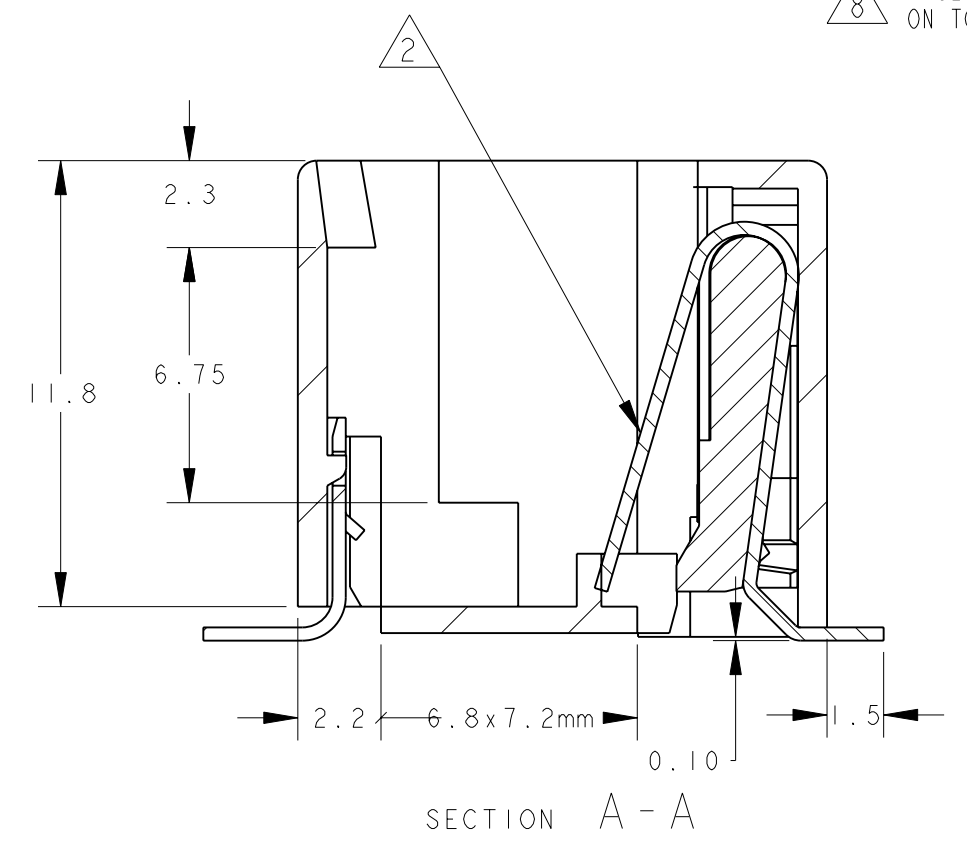
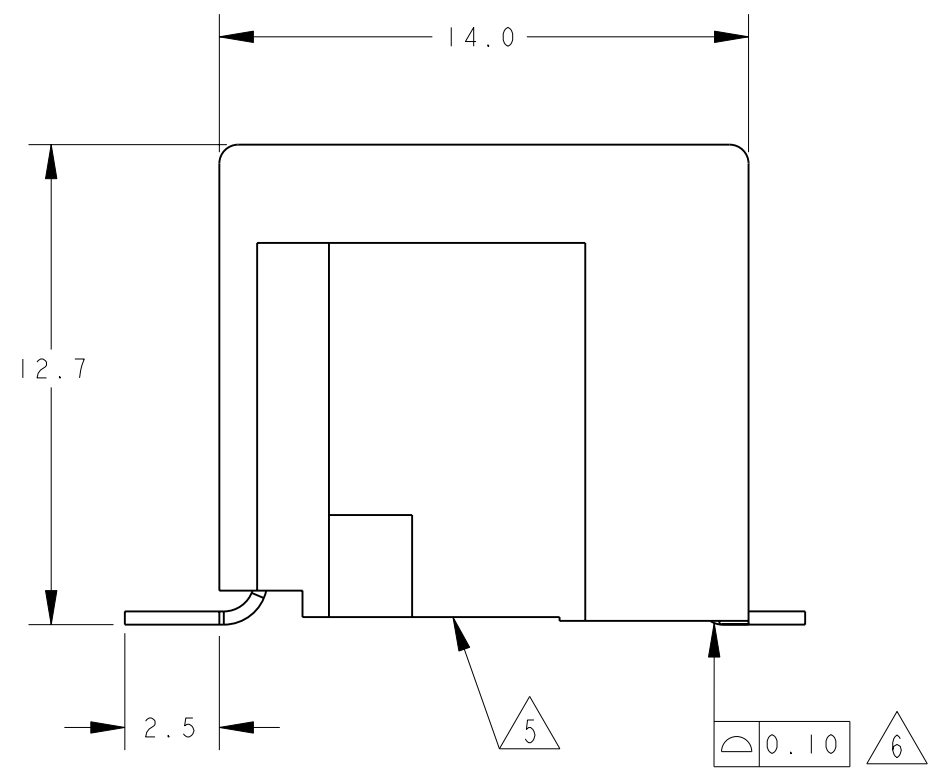
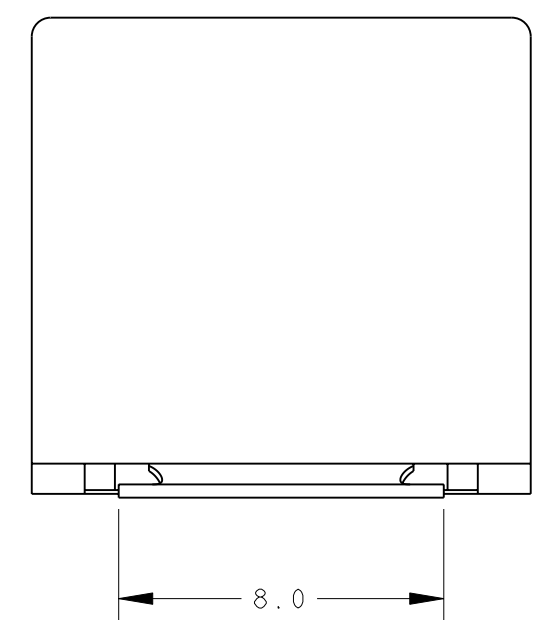
THIS DRAWING IS UNPUBLISHED. RELEASED FOR PUBLICATION
 © COPYRIGHT ALL RIGHTS RESERVED.

REVISIONS							
LOC	DIST	P	LTR	DESCRIPTION	DATE	DWN	APVD
-	-	C		ECR-10-020218	21JUN2011	PS	RRP



NOTES:

- 1 TOLERANCES UNLESS OTHERWISE SPECIFIED: ±0.15.
- 2 CONTACT PLATING:
 OVERALL: Ni 1.27µm MIN. ALL OVER THE CONTACTS
 SOLDER ZONE: Sn 3.5-5.0µm ON THE SOLDER ZONE OF THE CONTACT
 MATING ZONE: PLATING CONFIRMS TO PRODUCT REQUIREMENTS AS PER SPECIFICATION 108-19117
- 3 MATERIALS:
 HOUSING: 30% G.F. PA 9T COLOR BLACK, UL 94V-0.
 CONTACTS: PHOSPHOR BRONZE
 SOLDER BRACKET: TIN PLATED BRASS WITH NICKEL UNDERPLATE.
- 4 THIS JACK CAN ALSO BE APPLIED HANGING THROUGH A HOLE, IN A PRINTED CIRCUIT BOARD. SEE LEFT PCB LAYOUT.
- 5 SURFACE CAN BE USED FOR PICKING THE MODULAR JACK WITH, TYPE II SMD MACHINE.
- 6 MEASURED AT HEEL OF CONTACTS
 COPLANARITY AT TIPS OF CONTACTS MAX. 0.18mm
- 7 TAPE AND REEL PACKAGING ACCORDING TO EIA 481-3 SPECIFICATIONS.
- 8 INCLUDES KAPTON TAPE (10x11.5mm) ON TOP SURFACE AS PICK AND PLACE FEATURE.



4 POS. / 4 CONT.	300 PCS ON Ø360 mm OD REEL. TOP ENTRY ORIENTATION PER DETAIL B	8 1982198-2
4 POS. / 4 CONT.	300 PCS ON Ø360 mm OD REEL. TOP ENTRY ORIENTATION PER DETAIL B	1982198-1
REMARKS	PACKAGING 7	PART NUMBER

THIS DRAWING IS A CONTROLLED DOCUMENT.

DWN VATHSA 18 Dec 2006
 CHK PREMJI 8 Dec 2006

APVD

PRODUCT SPEC 108-19117
 APPLICATION SPEC 114-19041
 WEIGHT -

MATERIAL - SEE NOTE 3
 FINISH - SEE NOTE 2

NAME INVERTIBLE MODULAR JACK, 4 POSITION HANDSET FOR SURFACE MOUNT APPLICATION

SIZE A2
 CAGE CODE
 DRAWING NO. 1982198
 RESTRICTED TO -

CUSTOMER DRAWING SCALE 5:1 SHEET 1 OF 2 REV C

4

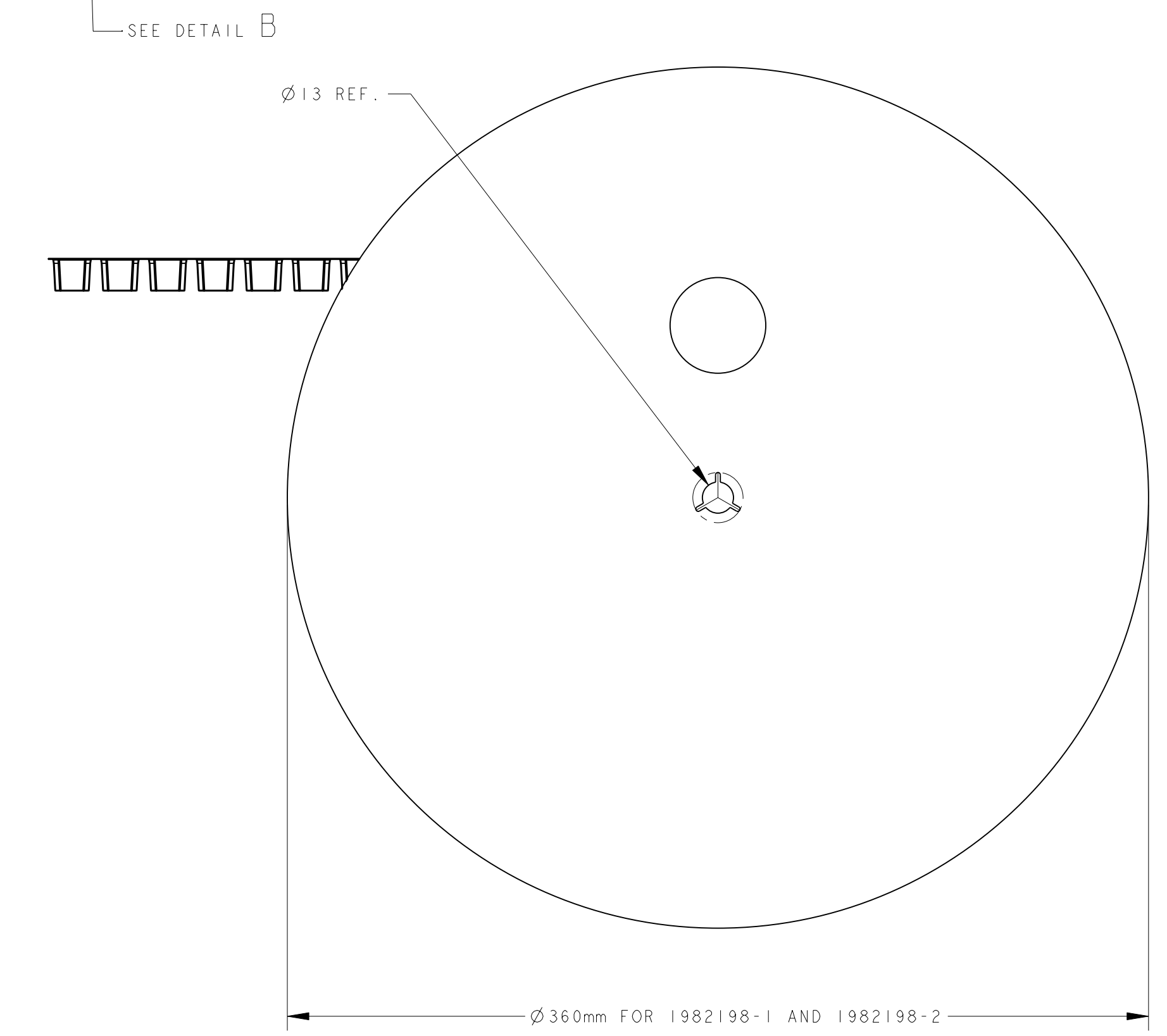
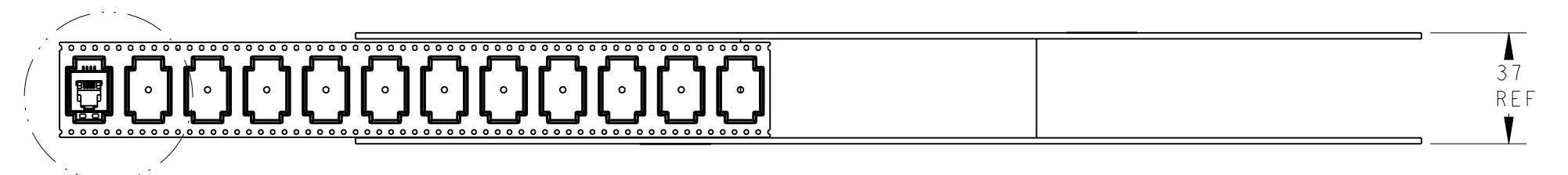
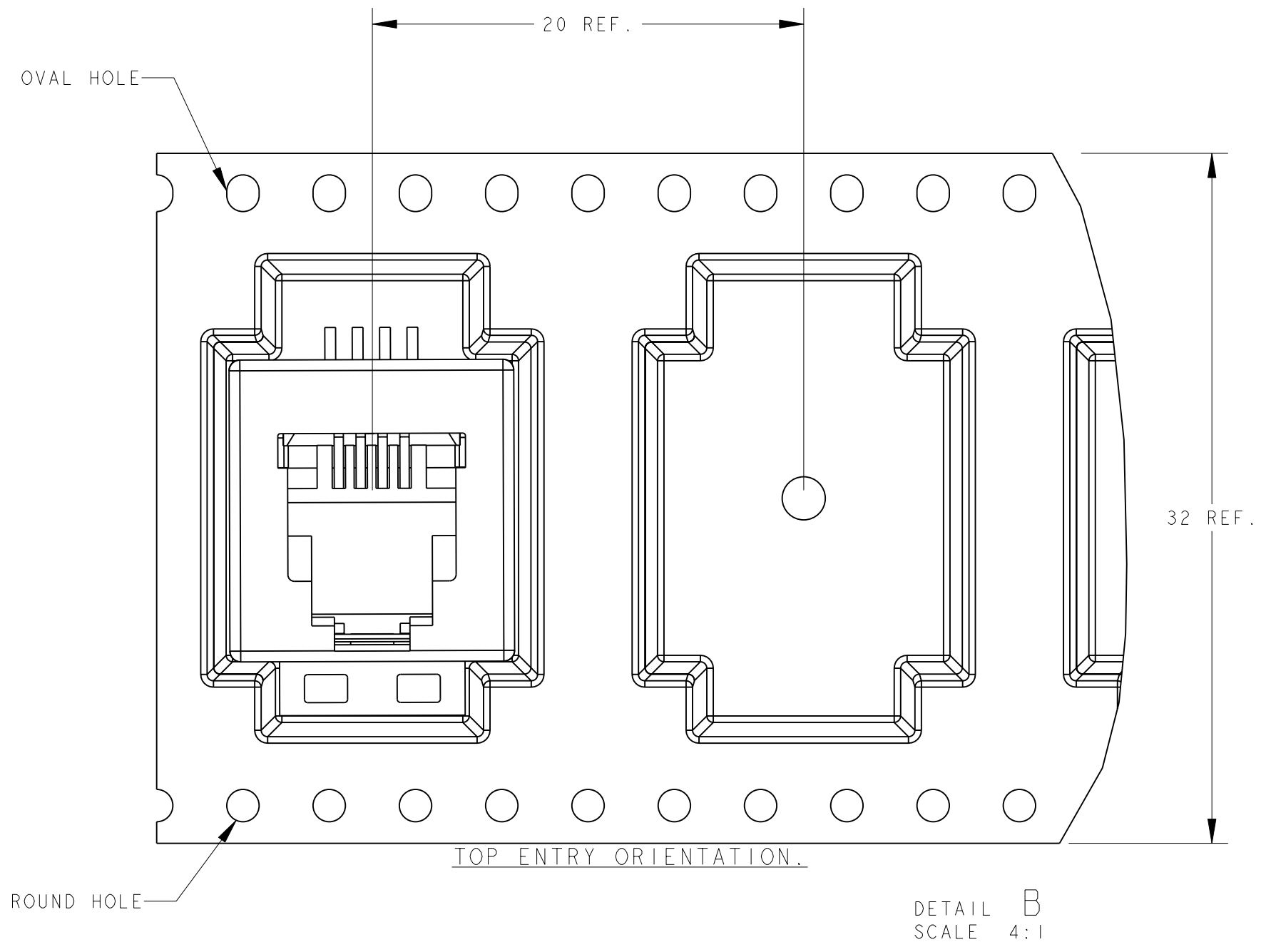
3

2

1

THIS DRAWING IS UNPUBLISHED. RELEASED FOR PUBLICATION
 © COPYRIGHT ALL RIGHTS RESERVED.

LOC	DIST	REVISIONS			
P	LTR	DESCRIPTION	DATE	DWN	APVD
-	-	SEE SHEET 1	-	-	-



THIS DRAWING IS A CONTROLLED DOCUMENT.		DWN Vahsa 18 Dec 06	TE Connectivity	
		CHK Premjith 18 Dec 06		
DIMENSIONS: mm		APVD	NAME	
TOLERANCES UNLESS OTHERWISE SPECIFIED:		PRODUCT SPEC	INVERTIBLE MODULAR JACK, 4 POSITION	
0 PLC ± -	1 PLC ± -	108-19117	HANDSET	
2 PLC ± -	3 PLC ± -	APPLICATION SPEC	FOR SURFACE MOUNT APPLICATION	
4 PLC ± -	ANGLES ± -	114-19041	SIZE	CAGE CODE
FINISH -		WEIGHT -	A2	DRAWING NO
		CUSTOMER DRAWING	C-1982198	
		SCALE 5:1	SHEET 2 OF 2	REV C