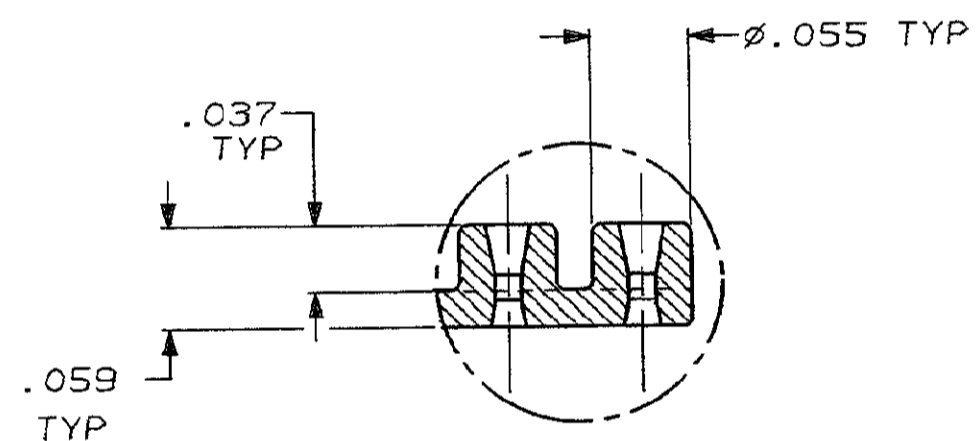
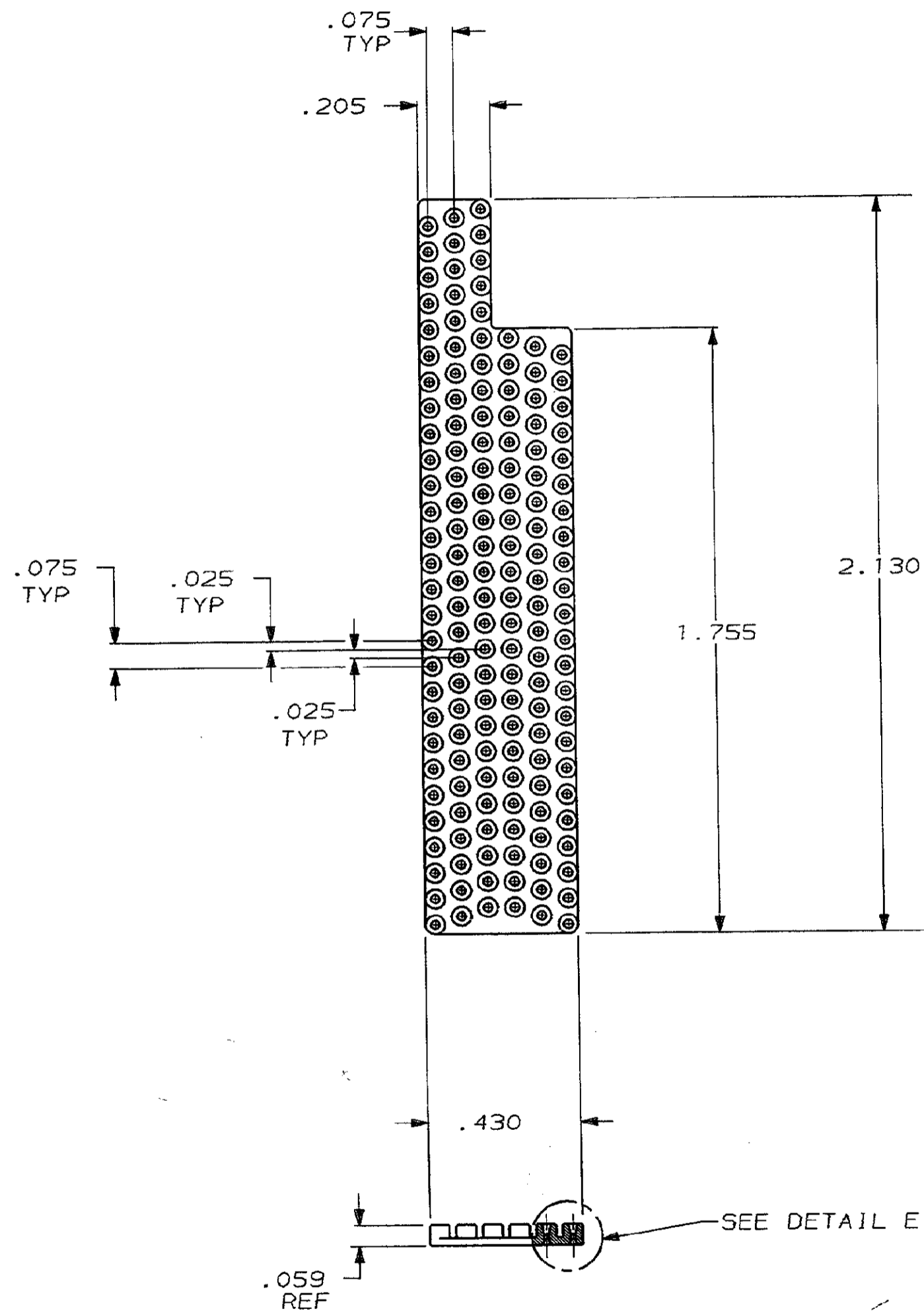


DRAWING MADE IN THIRD ANGLE PROJECTION

THIS DRAWING IS UNPUBLISHED. RELEASED FOR PUBLICATION .19  
© COPYRIGHT 19 BY AMP INCORPORATED. ALL INTERNATIONAL RIGHTS RESERVED.

LOC		DIST		REVISIONS				DATE	APPD
DF	TO	P	F	ZONE	LTR	DESCRIPTION			
		✓	✓		0	PRODUCT NO. ASSIGNED WAS 88-4829-15	9-28-88	ATM	

1. MAT'L: FLUOROSILICONE RUBBER COMPOUND, COLOR: BLUE.



DETAIL E  
SCALE 10:1

445525-1

PART NO

DO NOT SCALE PRINT.  
UNLESS SPECIFIED  
DIMENSIONS IN INCHES  
TOLERANCES ON:  
2 PLC DEC ± -  
3 PLC DEC ± .005  
ANGLES ± -

SEE CALLOUTS

FINISH

DR - *[Signature]* 9/30/88  
 CHK - *[Signature]* 9/30/88  
 APPD - *[Signature]* 9/30/88  
 APPD - *[Signature]* 9/30/88

PRODUCT SPEC

APPLICATION SPEC

WEIGHT

**AMP** | AMP INCORPORATED  
Harrisburg, Pa. 17105

NAME  
INTERFACIAL SEAL  
L HALF, 153 POS  
HDI - 6 ROW

SIZE FSCM NO DRAWING NO

**C** 00779 445525

SCALE 3:1 SHEET 1 OF 1