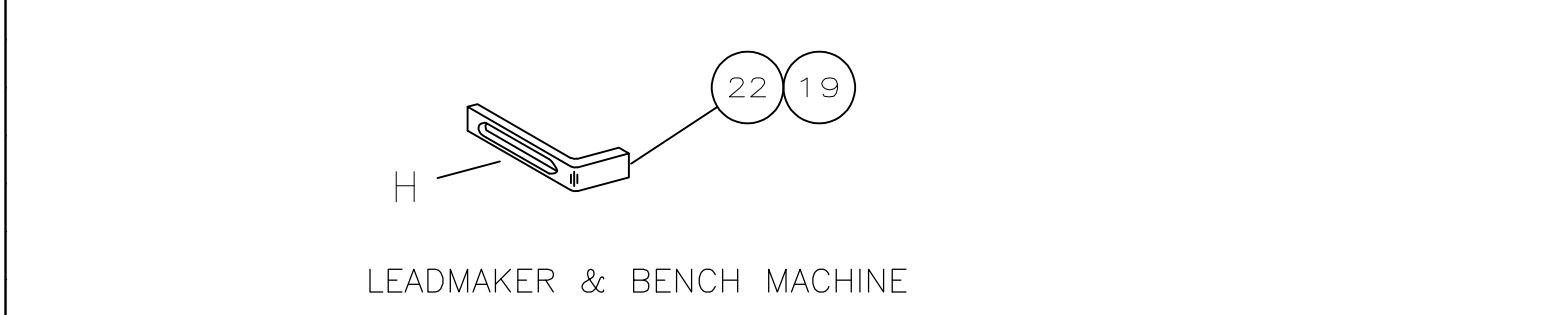
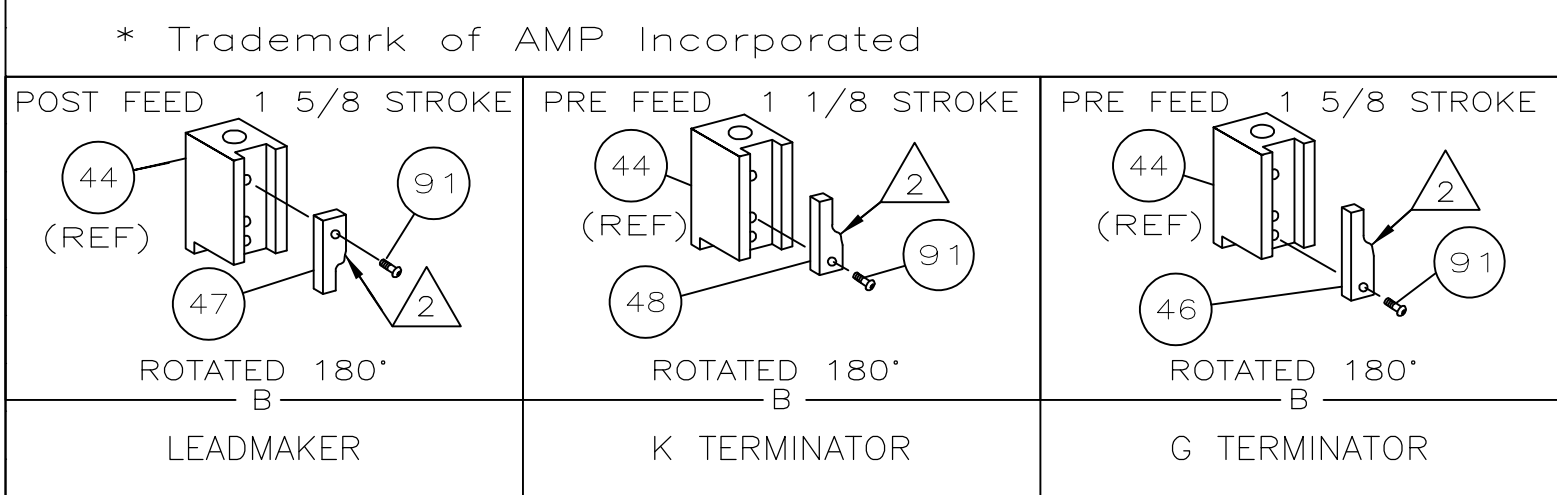
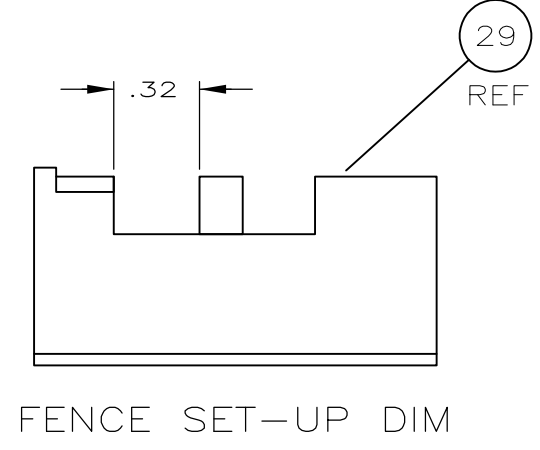
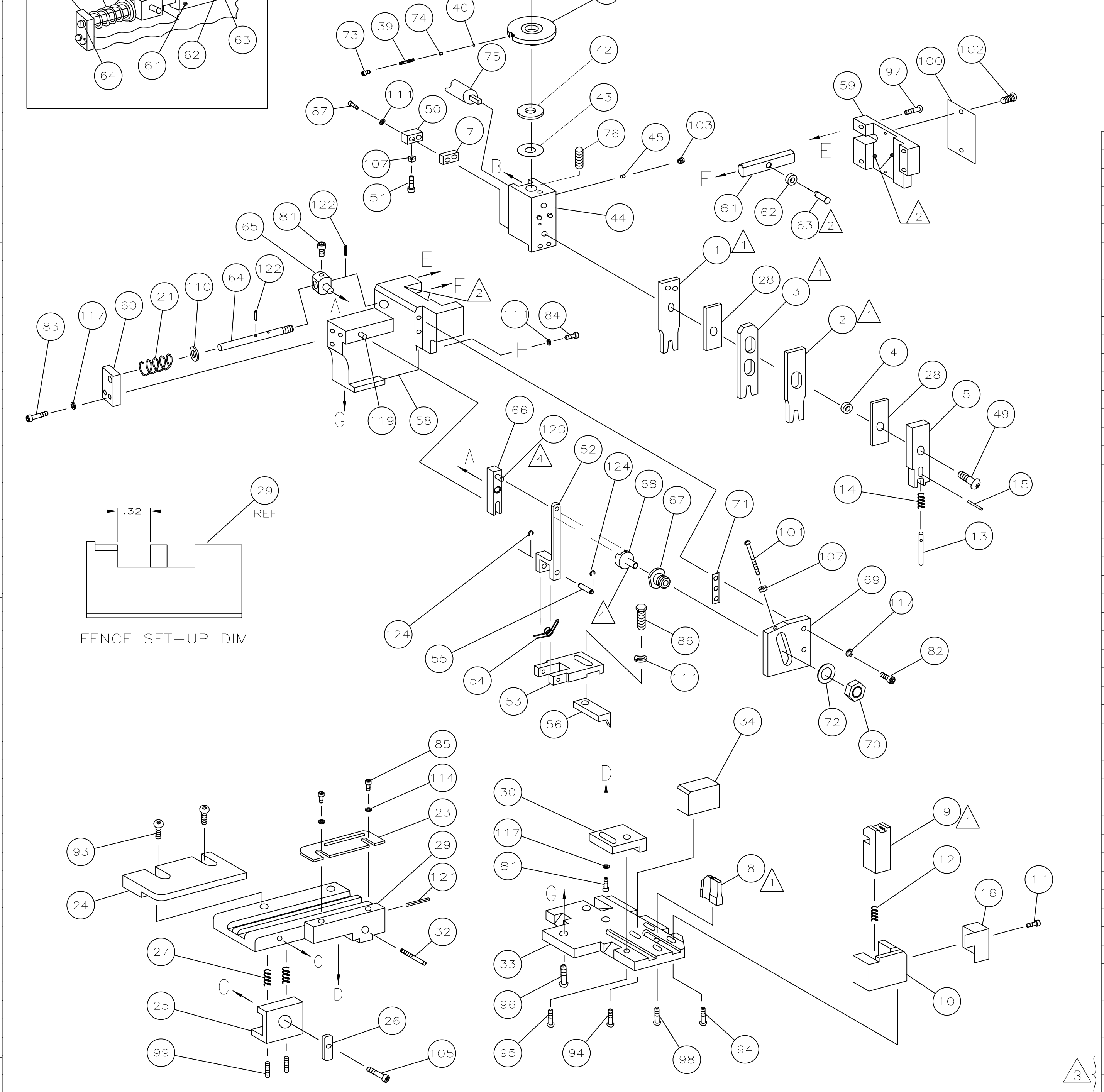
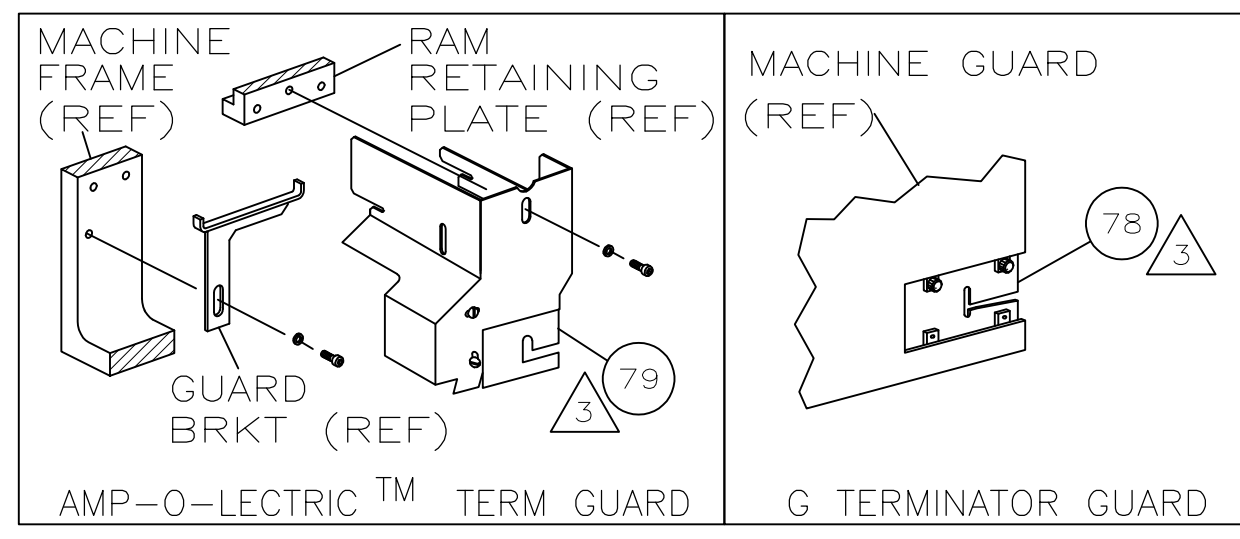
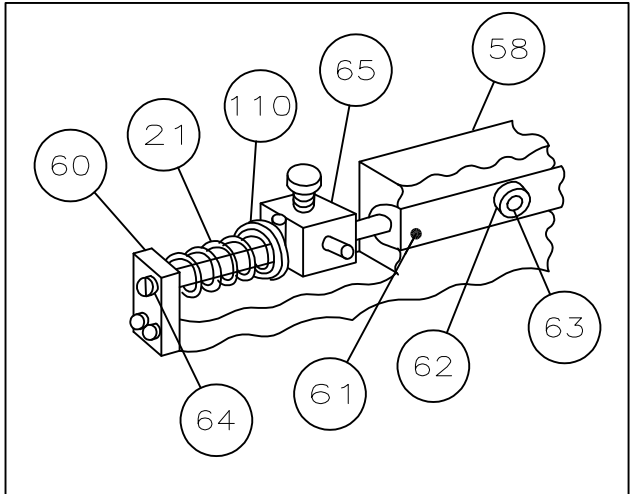
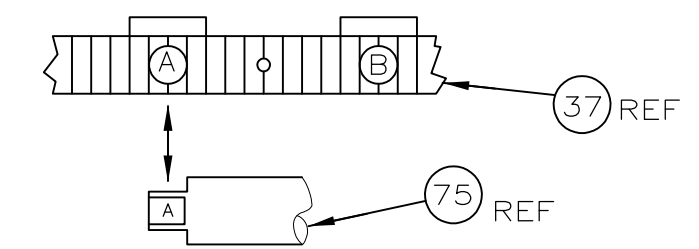


PART NUMBER	REV	FIRST USED
567489-1	D	854400-1
567489-2	D	565435-5
567489-3	D	354500-1



- 1 RECOMMENDED SPARE PARTS.
- 2 GREASE LIGHTLY.
- 3 GUARD MUST BE IN PLACE WHEN OPERATING APPLICATOR IN AMP-O-LECTRIC MACHINE.
- 4 LUBRICATE DAILY USING NO. 20 MACHINE OIL.
- 5 STABILIZER CRIMPER SHAFT MUST BE TURNED SO THAT LETTER SHOWING (RIGHT SIDE OF RAM) MATCHES WIRE DISC PAD BEING USED (A,B, OR C) AS SHOWN



TERMINAL NAME:
.070 SERIES TAB CONTACT

PAD LTR	CRIMP HEIGHT	WIRE SIZE
A	.060 ±.002	16
B	.054 ±.002	18
C	.049 ±.002	20
D	NOT USED	

CRIMP SIZE TYPE RANGE

WIRE	INSUL	FEED	APPL INST	SET UP GAGE	LAYOUT
	.102	.090	F	0	.047-.087
		.469	A18040	458637-1	L1488

WIRE STRIP LENGTH .110-.130

ITEM NO	DESCRIPTION
-1	LEADMAKER
-2	BENCH MODEL K
-3	BENCH MODEL G

TERM APPL SPEC 114-5157

QTY REQD PER ASSY	PART NO	DESCRIPTION	ITEM NO		
			129		
			128		
			127		
			126		
			125		
2	21045-3	RING,RET "C"(Ø.187)FD FING PIN	124		
			123		
2	5-21028-1	PIN,SLT SPR(Ø.125x.50)ADJ ROD	122		
1	4-21028-0	PIN,SLT SPR(Ø.093x.75)ST GDE PL	121		
1	1-21030-1	PIN,DOWEL(Ø.187x.50)LEVER	120		
1	1-21030-6	PIN,DOWEL(Ø.187x1.25)HOUSING	119		
			118		
5	21024-5	WASHER, LOCK(#10)ADJ BLOCK	117		
			116		
			115		
2	21024-2	WASHER,LOCK(#4)FRONT STP GUIDE	114		
			113		
			112		
4	21024-4	WASHER,LOCK(#8)STRIPPER	111		
1	21899-4	WASHER,FLAT(Ø5/16)SCREW ADJ	110		
			109		
			108		
2	21018-5	NUT,HEX(6-32)FEED ADJ	107		
			106		
1	22353-8	SCR,SKT SET(1/4-20x.25)DRAG LEVER	105		
			104		
1	21009-2	SCR,SKT SET(1/4-20x.25 LW)RAM	103		
2	21017-2	SCR,DRIVE(#2x.19)ID PLATE	102		
1	6-23715-5	SCR,PAN HD(6-32x1.50)FEED ADJ	101		
1	461264-1	PLATE, IDENTIFICATION	100		
2	5-21006-6	SCR,SET(10-32x.75)DRAG	99		
1	22733-8	SCR,BHC(8-32x.38 LW)ANVIL	98		
2	2-21002-9	SCR,BHC(10-32x.75)CAP	97		
3	2-22733-8	SCR,BHC(1/4-20x.62)HOUSING	96		
1	2-21002-7	SCR,BHC(10-32x.50)SG ADJ BLOCK	95		
4	2-21002-2	SCR,BHC(8-32x.50)SHEAR	94		
2	2-21002-1	SCR,BHC(8-32x.38)R STRIP GUIDE	93		
			92		
1	1-21002-7	SCR,BHC(6-32x.38)CAM	91		
			90		
			89		
			88		
2	2-21000-8	SCR,SHC(8-32x.62)DEP-HOLD	87		
1	2-22603-0	SCR,HEX HD(8-32x.31)FEED FINGER	86		
2	1-21000-3	SCR,SHC(4-40x.25)F ST GUIDE	85		
1	2-21000-7	SCR,SHC(8-32x.50)STRIPPER	84		
2	3-21000-7	SCR,SHC(10-32x.75)FEED ROD GD	83		
2	3-21000-6	SCR,SHC(10-32x.62)FEED ADJ BLK	82		
2	3-21000-4	SCR,SHC(10-32x.38)SG ADJ BL	81		
			80		
-	REF	GUARD, WINDOW	79		
REF		INSERT, GUARD	78		
			77		
1	22859-7	PLUNGER, SPRING	76		
1	1-453412-0	SHAFT, STABILIZER	75		
2	690603-1	SPRING, ASSIST	74		
2	23030-1	SCR,SHC(6-32x.25)CP DISC	73		
1	458109-1	WASHER, SPECIAL	72		
1	690517-1	SPACER	71		
			70		
-3	-2	-1	U/M		

LOC	DIST	REV	DESCRIPTION	DATE	DRN	APVO
A	66	D1	ECR-07-017642	7-2007	MY	GB

QTY REQD PER ASSY	PART NO	DESCRIPTION	ITEM NO		
			70		
			69		
			68		
			67		
			66		
			65		
			64		
			63		
			62		
			61		
			60		
			59		
			58		
			57		
1	690542-2	PAWL, FEED	56		
1	240624-1	PIN, FEED FINGER	55		
1	691499-1	SPRING, FEED FINGER	54		
1	690541-1	HOLDER, FEED FINGER	53		
1	455679-1	LEVER, TERMINAL FEED ARM	52		
1	811242-2	BUMPER, HOLDDOWN	51		
1	690753-1	SPACER, TONKER	50		
1	7-21002-9	BOLT, CRIMPER(5/16x1.00)	49		
-	690602-5	CAM, PRE-FEED 1 1/8 ST	48		
-	690501-4	CAM, POST-FEED 1 5/8 ST	47		
1	690602-6	CAM, PRE-FEED 1 5/8 ST	46		
1	690191-1	PLUG, NYLON	45		
1	817855-1	RAM	44		
1	690125-1	WASHER, LAMINATED	43		
1	690124-1	WASHER, RAM	42		
			41		
2	23241-6	BALL, STEEL	40		
2	690170-1	SPRING, COMPRESSION	39		
1	690142-1	DISC, INSULATION	38		
1	2-692155-1	DISC, WIRE	37		
1	22480-5	WASHER, SPRING	36		
1	690212-1	POST, RAM	35		
1	1-690786-4	SUPPORT, TERMINAL	34		
1	455675-1	PLATE, BASE	33		
1	690432-3	SCREW, ADJUSTMENT	32		
			31		
1	455689-1	BLOCK, STRIP GUIDE ADJ	30		
1	843869-1	PLATE, STRIP GUIDE	29		
2	455888-6	SPACER, FRONT SHEAR DEP	28		
2	1-22284-0	SPRING, DRAG	27		
1	356835-1	LEVER, DRAG RELEASE	26		
1	240792-1	DRAG, TERMINAL	25		
1	6-690504-8	GUIDE, STRIP (REAR)	24		
1	690438-1	GUIDE, STRIP (FRONT)	23		
-	690472-9	STRIPPER	22		
1	4-22284-9	SPRING, FEED RETURN	21		
			20		
1	691353-1	STRIPPER	19		
			18		
			17		
1	318563-1	GUARD, CHIP (FRONT)	16		
1	21028-2	PIN, SPIRAL WRAPPED	15		
1	1-22278-0	SPRING, COMPRESSION	14		
1	854769-1	HOLDER, INSULATION	13		
1	3-22280-3	SPRING, SHEAR	12		
1	690461-1	STOP, SHEAR	11		
1	690459-1	HOLDER, SHEAR (FRONT)	10		
1	462006-1	SHEAR, FLOAT (FRONT)	9		
1	6-854014-1	ANVIL	8		
1	240641-5	SPACER, DEPRESSOR (REAR)	7		
			6		
1	854772-1	DEPRESSOR, SHEAR (FRONT)	5		
1	1-238011-8	SPACER, BLOCK CRIMPER	4		
1	817853-4	CRIMPER, INSULATION	3		
1	354753-1	CRIMPER, SPECIAL	2		
1	1-817854-1	CRIMPER, WIRE	1		
-3	-2	-1	U/M		

THIS DRAWING IS A CONTROLLED DOCUMENT.

DMN P. MATHIAS 2/12/93
CHK C. ERISMAN 2-17-93
APRD B. WOLFF 2-18-93

Tyco Electronics Corporation
Harrisburg, PA 17105-3608

NAME: SIDE FEED HDM APPLICATOR

PRODUCT SPEC: --
APPLICATION SPEC: --
WEIGHT: --

SIZE: A1
CAGE CODE: 00779
DRAWING NO: 567489

CUSTOMER DRAWING

SCALE: -- SHEET: 1 of 1 REV: D1