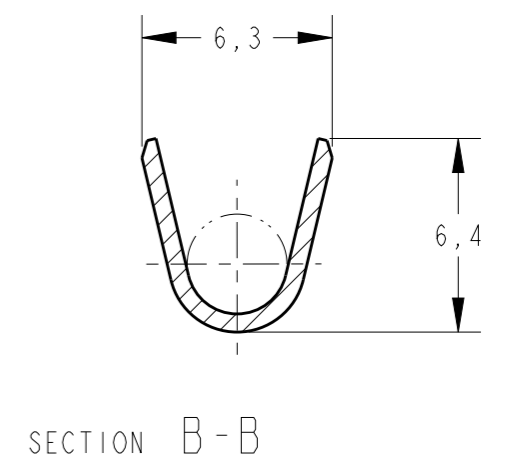
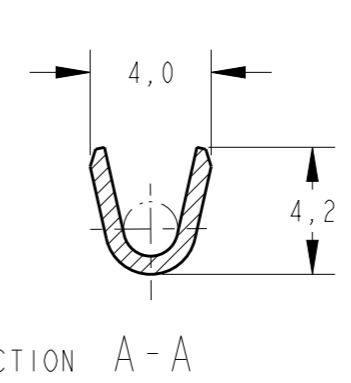
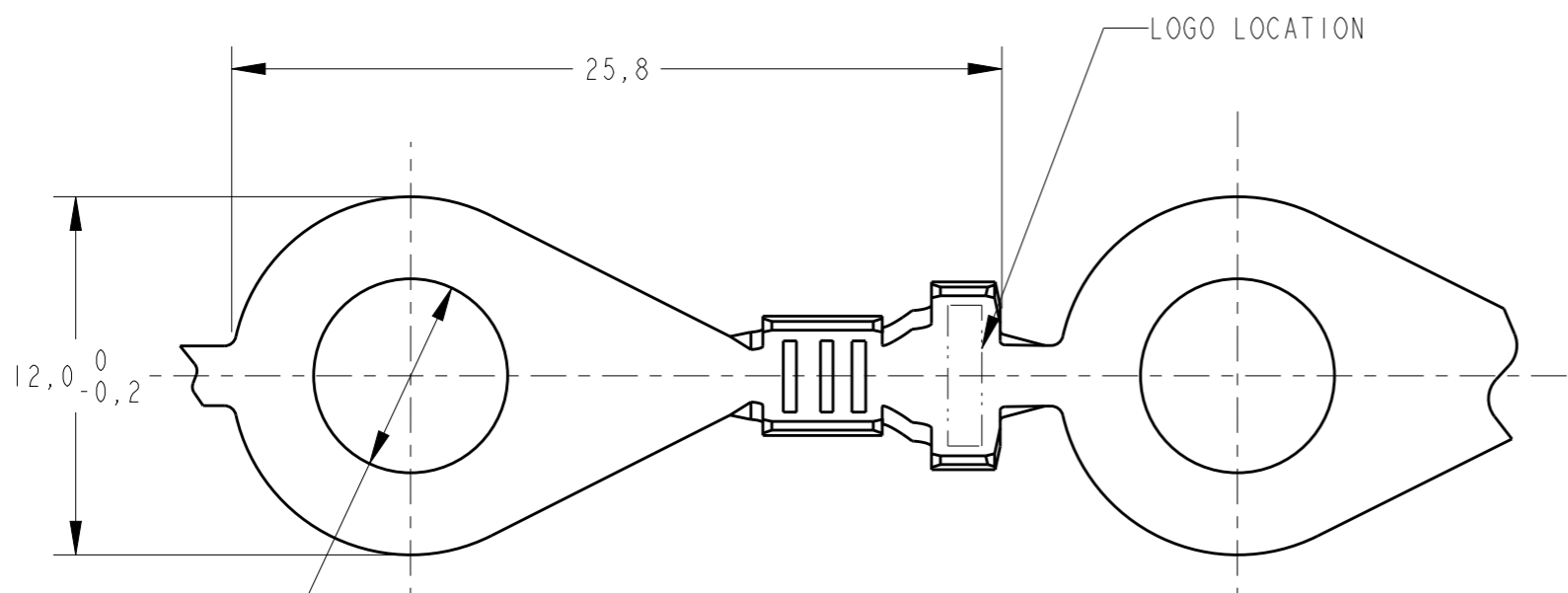
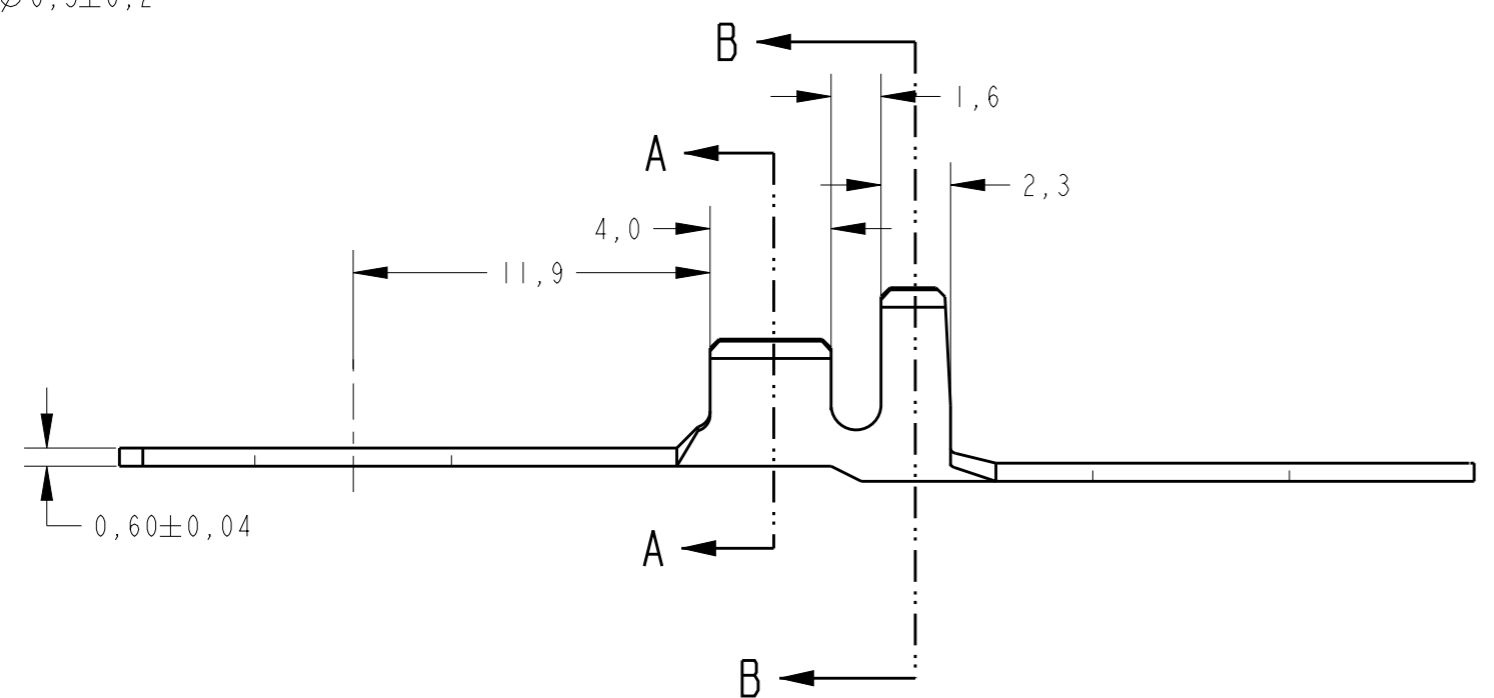


THIS DRAWING IS UNPUBLISHED. RELEASED FOR PUBLICATION 20
 © COPYRIGHT 20 BY - ALL RIGHTS RESERVED.


LOC	DIST	REVISIONS					
AP	-	P	LTR	DESCRIPTION	DATE	DWN	APVD
			A3	REV. BY ECO 14-018353	10DEC2014	HC	WLS
			A4	REVISED BY ECO 16-005813	30JUN2016	HC	WLS
			-	-	-	-	-
			-	-	-	-	-



\triangle - C.A 272
 2- REBOBINAR INTERCALADO COM PAPEL REELING WITH PAPER INTERLEAVE.



OBSOLETE	ESTANHADO/TIN PLATED	LATÃO/BRASS	880627-5
	ESTANHADO/TIN PLATED	BRONZE F./PHOS.BRONZE	880627-4
	—	BRONZE F./PHOS.BRONZE	880627-3
	ESTANHADO/TIN PLATED	LATÃO/BRASS	880627-2
OBSOLETE	—	LATÃO/BRASS	880627-1
	FINISH	MATERIAL \triangle	PART NUMBER

THIS DRAWING IS A CONTROLLED DOCUMENT.		DWN 10DEC2014 H. CANTERI	 TE Connectivity	
DIMENSIONS: mm		CHK 10DEC2014 W.L. STEFANI		
TOLERANCES UNLESS OTHERWISE SPECIFIED:		APVD -	NAME RING TONGUE	
0 PLC $\pm -$	1 PLC $\pm 0,3$	PRODUCT SPEC -	-	
2 PLC $\pm -$	3 PLC $\pm -$	APPLICATION SPEC -	-	
4 PLC $\pm -$	ANGLES $\pm 0^{\circ}30'$	WEIGHT -	SIZE A3	CAGE CODE 00779
WIRE RANGE $>1,0-2,5\text{mm}^2$	MATERIAL -	FINISH -	DRAWING NO C=880627	RESTRICTED TO -
INSUL. RANGE $\varnothing 2,7/4,0\text{mm}$			SCALE 4/1	SHEET 1 OF 1 REV A4

Customer Drawing