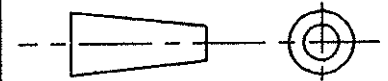
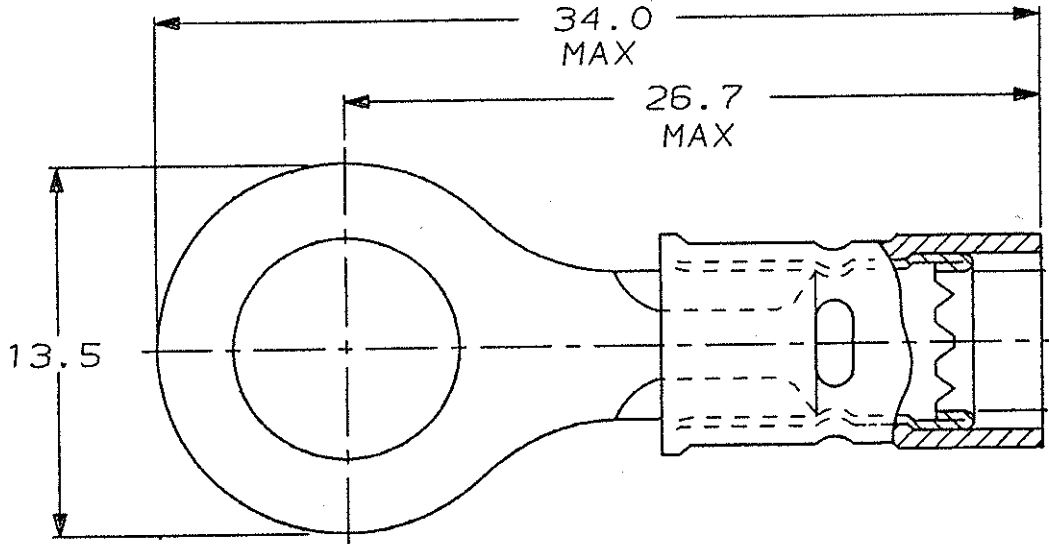


DO NOT SCALE

DIMENSIONS IN MM.



C.A.D. FILE CODE  
S. C342064.2



- 1 WIRE INSUL. DIA 3.81-6.35
- 2 TONGUE MAT'L THK 1.07 MAX

C  
B  
A

**CUSTOMER DWG**  
FOR REFERENCE ONLY

THIS INFORMATION IS CONFIDENTIAL AND IS DISCLOSED TO YOU ON CONDITION THAT NO FURTHER DISCLOSURE IS MADE BY YOU TO OTHER THAN AMP PERSONNEL WITHOUT WRITTEN AUTHORIZATION FROM AMP OF GREAT BRITAIN LTD.

A	dr/tm	CG3A-0002 04	3/04
2	B. WILSON	EB00-0014-95	17/01/95
REV	APPROVED	CHANGE No.	DATE

TOLERANCES  
UNLESS OTHERWISE  
STATED :  
DEC ± 0.5  
ANGLES ± 1°

DR. C. NIKER 17/01/95  
CH. B. WILSON APP. B. WILSON  
**AMP** TERMINAL HOUSE  
of Great Britain Ltd. STANMORE  
MIDDX.

NAME 16-14 HD PIDG R/T 8 DIA STUD  
NYLON INSULATION BLACK EXP.

SCALE	LOC	SIZE	DWG. No.	REV	SHEET
NTS	E	A 4	C342064	A	1/1