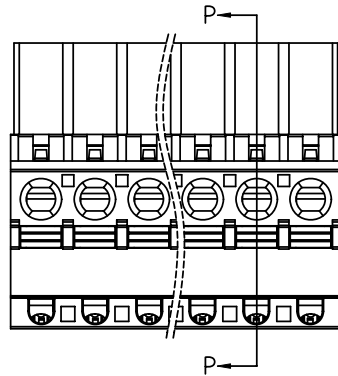


PRODUCT NUMBER	PITCH
H4xx50xB00J0G	5.08 mm



Dimension

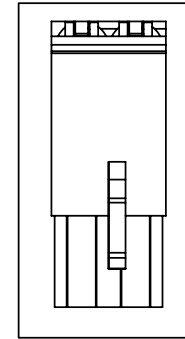
DIM A	$N \times 5.08 + 0.62$
DIM B	$(N-1) \times 5.08$

N=Number of poles

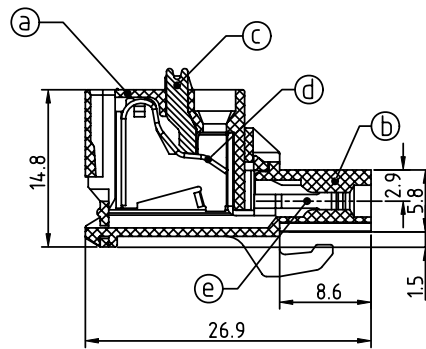
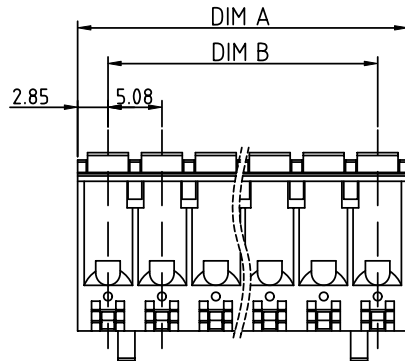
POLES	Tolerance
2p-6p	± 0.15
7p-12p	± 0.25
13p-16p	± 0.35
17p-24p	± 0.40

PART NO.: H4 xx 5 0 x B 00J0 G

- | | | | |
|--------------|----------|-----------------|--|
| Solid block | 0 | Black (RAL9005) | RoHS compliant
(lead<4%)
In copper Alloy |
| No. of poles | 2 | Red (RAL3001/D) | |
| 02 | 2 poles | 3 | Orange(RAL2011/P) |
| 03 | 3 poles | 4 | Yellow(RAL1018/A) |
| ... | ... | 5 | Green(RAL6018/T) |
| 24 | 24 poles | 6 | Blue (RAL5015/A) |
| | | 8 | Grey(RAL7035/D) |
| | | 9 | White(RAL1102) |
| | | C | Green(RAL6018/U) |



2P



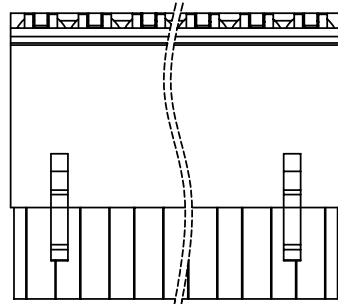
SECTION P-P

Material:

- Item (a) Top body: Thermoplastic (UL94V-0)
- Item (b) Bottom body: Thermoplastic (UL94V-0)
- Item (c) Terminal lever: Thermoplastic (UL94V-0) Orange (RAL2001/P)
- Item (d) Spring Clamp: Stainless Steel
- Item (e) Female contact: PhBz (CuSn) Tin plated

Electrical cULus

- Voltage rating: 300V
- Current rating: 10A
- Solid wire (AWG): 12-26
- Stranded wire (AWG): 12-26
- Wire strip length: 9-10mm
- Withstanding Voltage: 1.6KV
- Operating temperature: -40°C to +115°C
- Safety Approval:



mat'l. code		surface ASME Y14.5 ✓	tolerance ASME Y14.5	projection 	product family TERMINAL BLOCK	
ltr	ecn no	dr	date	tolerances unless otherwise specified		title TERMINAL BLOCK SPRING CLAMP, PLUGGABLE PLUG HOOK ON BACK SIDE
				angles $X \pm 0.5$	MM	
				$X.X \pm 0.3$	scale	dwg no H4xx50xB00J0G
				$X.XX \pm 0.1$	sheet 1 of 1	
		dr	EVIN ZHONG	051614		size A4
		enr	EVIN ZHONG	051614		
		chr	HANKE FENG	051614		
		appd	SHI JUN	051614		
sheet index	revision sheet	A	1			type CUSTOMER Drawing