

HAMMOND
MANUFACTURING®

www.hammondmfg.com

Plug-In Isolation - Step Down (230VAC to 115VAC)

172E



Hammond Plug-In Isolation Transformers

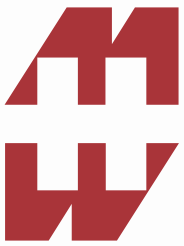
Hammond isolation transformers provide complete circuit isolation to protect your sensitive electronics. 172E features an electrostatic shield between the primary and secondary which greatly attenuates surges and noise caused by power problems on the same circuit or by supply disruptions from utilities. Isolation transformers are an essential for laboratory test benches where line voltage is used.

For safety concerns, every 172E has been hi-pot tested to 2KV RMS, and features a 5 amp circuit breaker on the primary. The primary features a 5' cord with a standard NEMA 6-15P plug. The secondary is connected to a 1' cord with a standard NEMA 5-15R receptacle. All units carry the North American mark of safety C UL & UL listed (File # E211544).



Features

- Primary 230VAC, 50/60 Hz., Secondary 115VAC
- Provides complete circuit isolation.
- Faraday electrostatic shield between primary & secondary to greatly attenuate surges and noise.
- Hi-pot tested to 2 KV RMS.
- Circuit breaker in primary.
- Standard 3-wire, grounded plug & receptacle.
- Input (primary) connected to 5 foot long cord & standard North American plug (NEMA 5-15P).
- Output (secondary) connected to 1 foot long "pig tail" cord, 3-wire, standard North American grounded receptacle (NEMA 5-15R).
- North American Mark of Safety - C UL & UL listed (File #E211544)
- Indoor use only
- **Remember** - These units do NOT convert line frequency

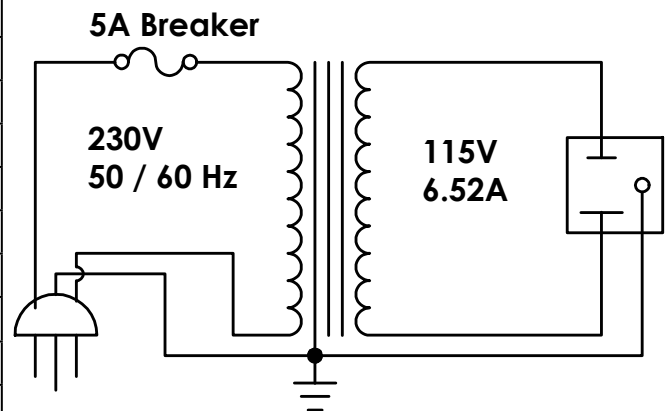


Plug-In Isolation - Step Down (230VAC to 115VAC)

172E

Electrical Specifications:

Primary Voltage	230VAC
Secondary Voltage	115VAC
Frequency	50 / 60 Hz
Capacity VA	750
Leakage Current	< 100 μ A
Full Load Efficiency	94% (typical)
Full Load Total Harmonic Distortion	0.19% (typical)
Surge/ Noise Suppression	-38.24 dB (typical)
Capacitance Between Windings @ 1 kHz	20 pF (typical)
Circuit Breaker (Amps)	5A on primary



Dimensions

A	4.4" / 112 mm
B	8.7" / 221 mm
C	5.39" / 137 mm
D	3.5" / 89 mm
E	6.78" / 172 mm
Weight	30 lbs / 13.61 kg
Cord Length (Primary)	5ft / 1.52m
Cord Length (Secondary)	1ft / 0.30m
Plug on Primary	NEMA 6-15P
Receptacle on Secondary	NEMA 5-15R

