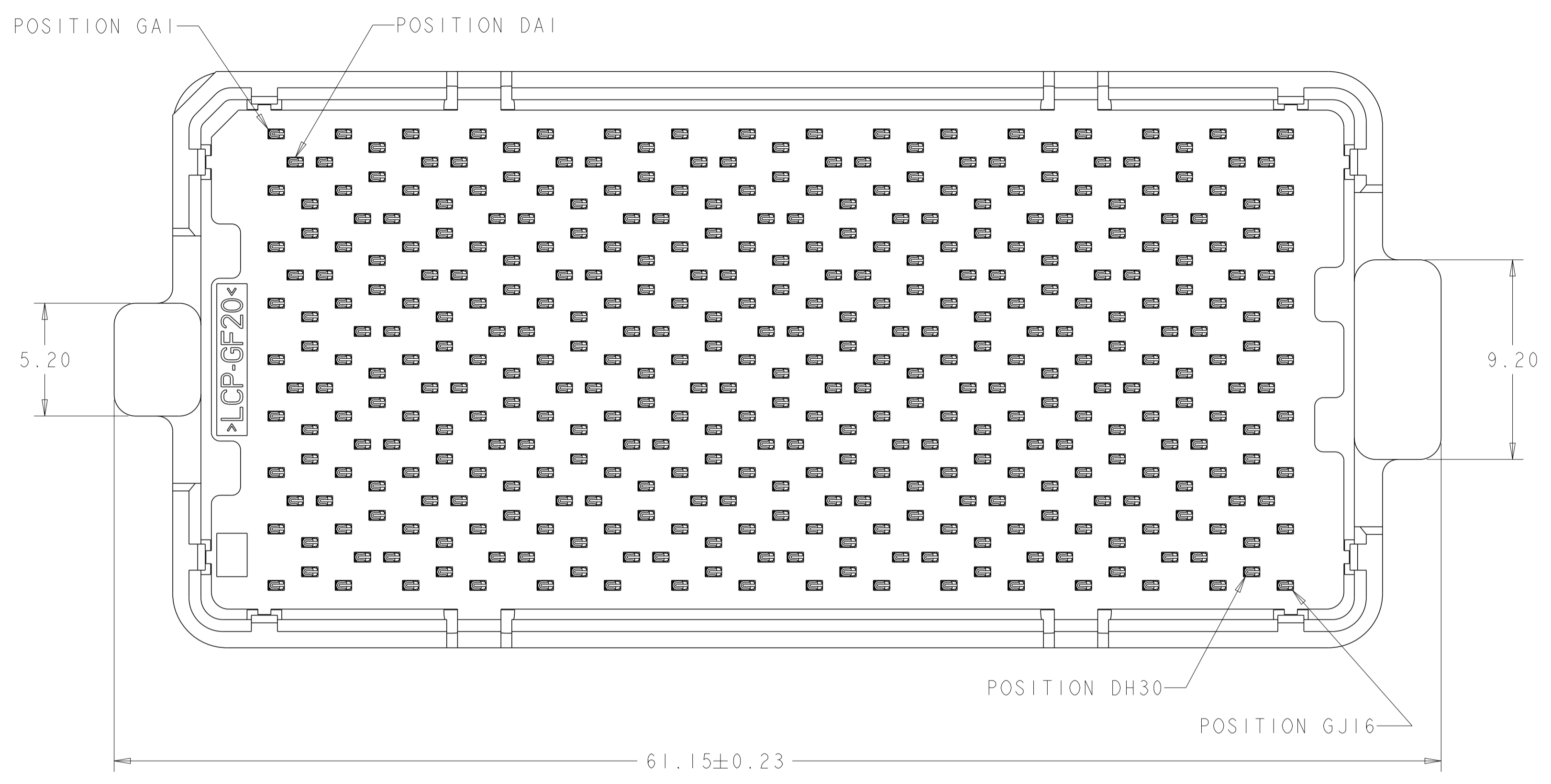
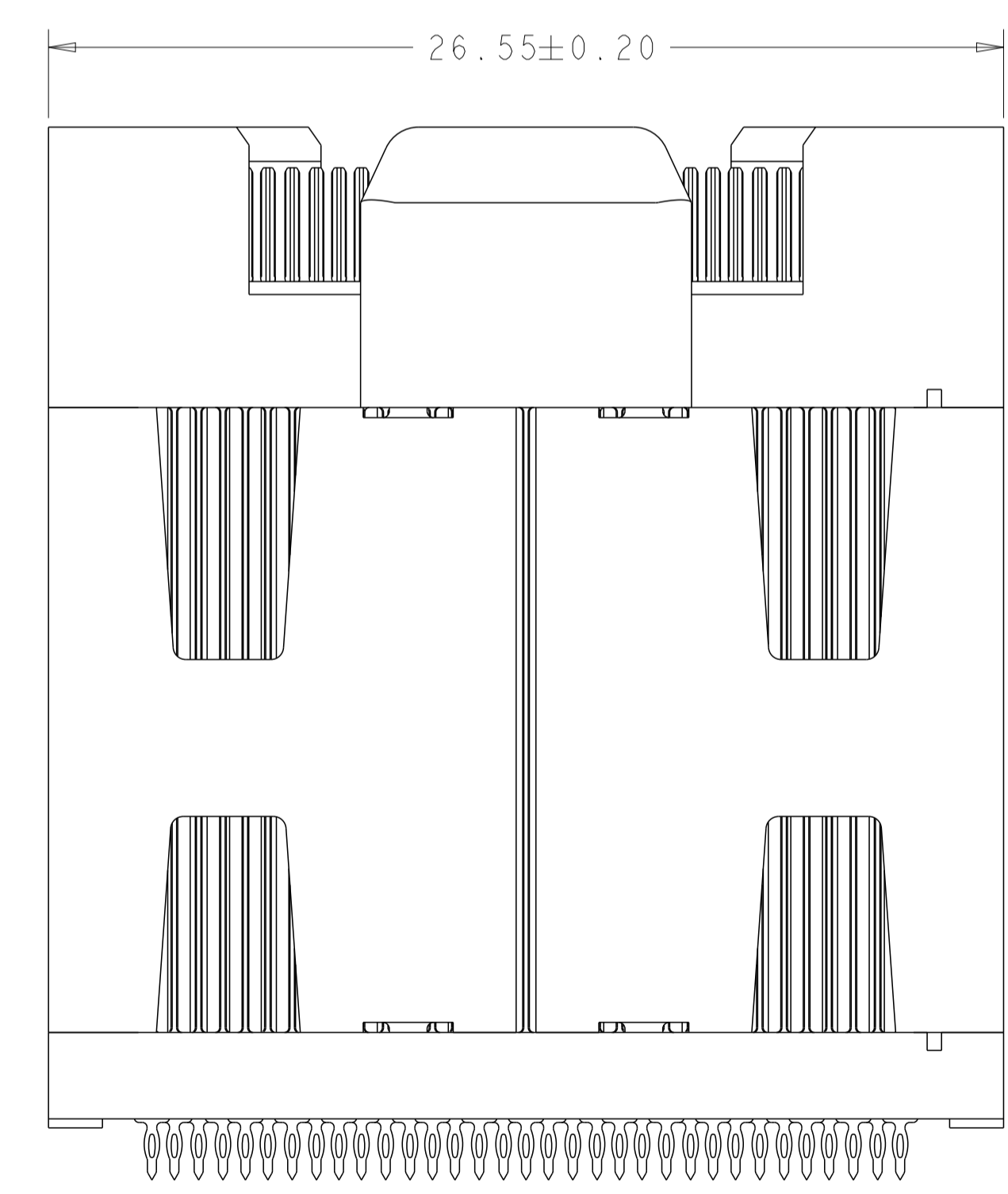
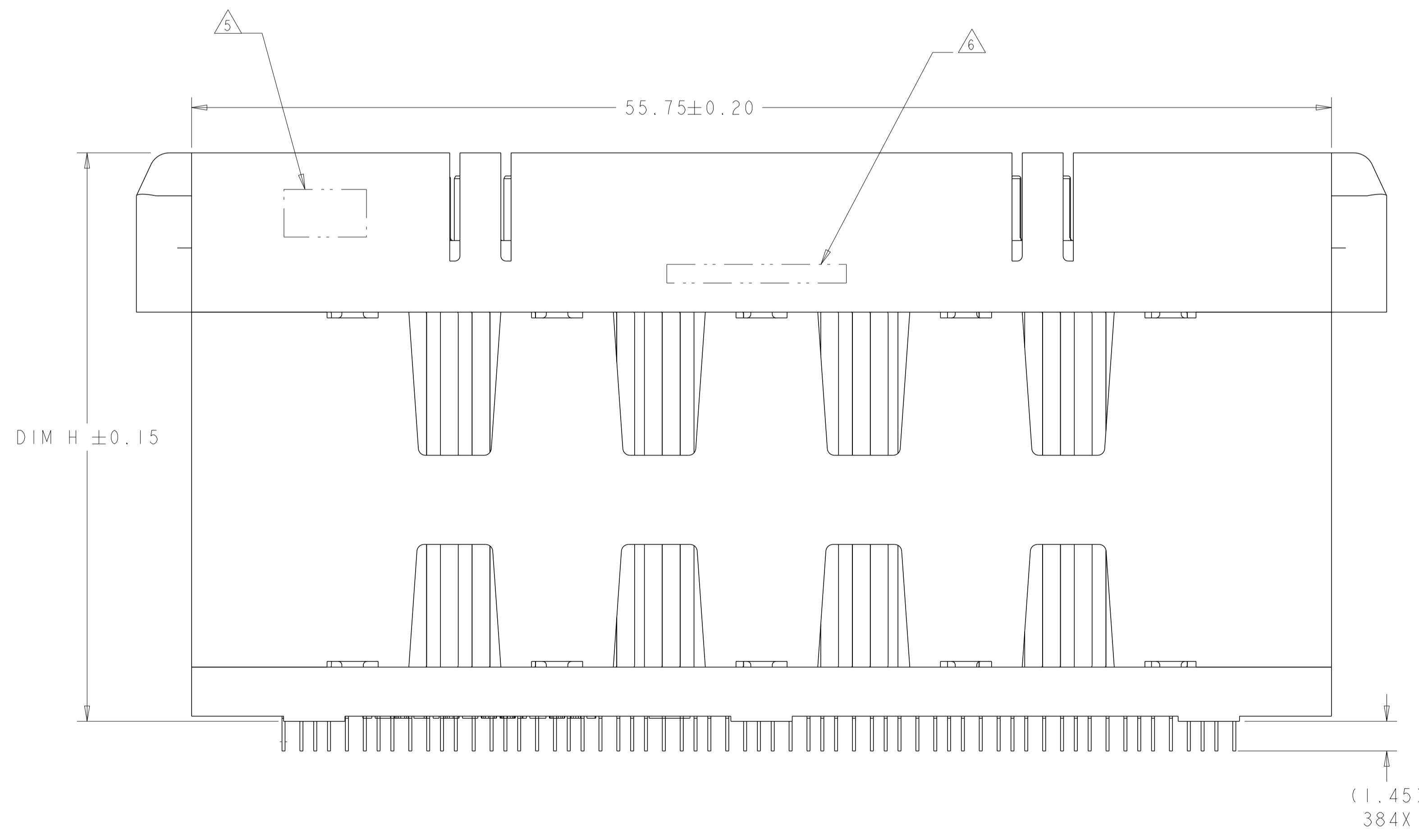


| LOC | DIST | REVISIONS | | | |
|-----|------|---------------------------|-----------|-----|------|
| P | LTN | DESCRIPTION | DATE | DWN | APVD |
| A | | REVISED PER ECO-12-018201 | 11OCT2012 | KH | MH |



- 1 MATERIAL:
 BASE HOUSING, UPPER HOUSING, ORGANIZER,
 AND SPACER: THERMOPLASTIC, FLAMMABILITY
 RATING UL94-V0
 CONTACT: COPPER ALLOY
- 2. CONFORMS TO THE REQUIREMENTS OF TE PRODUCT
 SPECIFICATION, 108-2375; BASED ON TELCORDIA
 GR-1217-CORE FOR SYSTEM QUALITY LEVEL III,
 APPLICATIONS IN CONTROLLED ENVIRONMENTS
 (CENTRAL OFFICE).
 SEE TE PRODUCT SPECIFICATION 108-2375 FOR
 TEST SEQUENCES.
- 3 ROWS GA THRU GJ (SHOWN DARKENED) ARE TYPICALLY
 USED AS GROUNDS.
- 4 SPECIFIED POSITIONAL TOLERANCE DEFINES HOLE TO
 HOLE LOCATION WITHIN HOLE PATTERN. POSITIONAL
 TOLERANCE OF HOLE PATTERN TO FIDUCIAL MARKS
 OR PCB DATUMS SHALL BE DEFINED BY CUSTOMER.
- 5 AREA RESERVED FOR TE CONNECTIVITY LOGO.
- 6 AREA RESERVED FOR PART NUMBER (X-XXXXXX-X)
 AND DATE CODE (YYWW).
- 7 USE CENTERLINES INDICATED ON PCB HOLE PATTERN
 TO ESTABLISH ALIGNMENT BETWEEN HEADER AND
 RECEPTACLE BOARDS.
- 8 PLATED THROUGH HOLE REQUIREMENTS:
 HOLE SIZE PRIOR TO PLATING = $\varnothing 0.420 \pm 0.013$
 COPPER PLATING THICKNESS = 0.038 ± 0.013
 CALCULATED FINISHED HOLE SIZE = $\varnothing 0.344 \pm 0.039$
 THESE DIMENSIONS APPLY TO THE TOP 1.25mm OF
 THE PCB THICKNESS FROM THE CONNECTOR MOUNTING
 SIDE.
- 9 CONTACT SALES FOR AVAILABILITY OF THIS STACK
 HEIGHT.

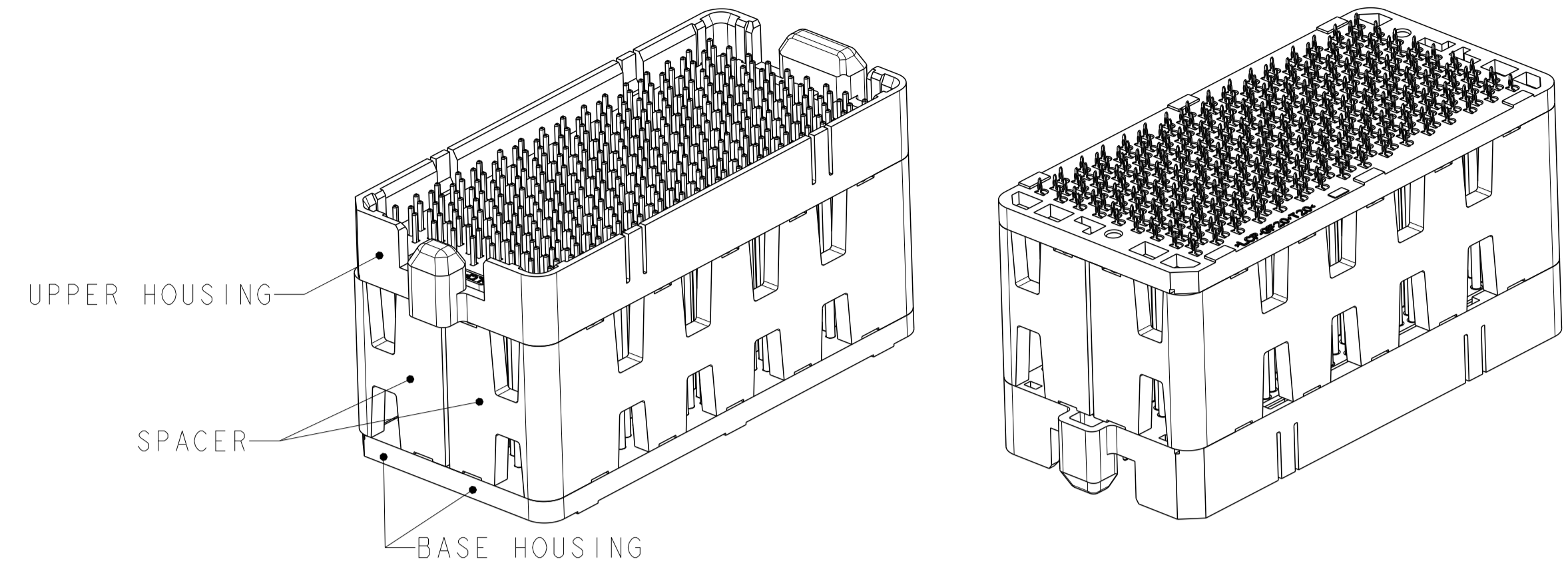


SIZE 3 HOUSING W/ GUIDE POSTS *
120 DIFFERENTIAL PAIRS
384 TOTAL SIGNAL CONTACTS

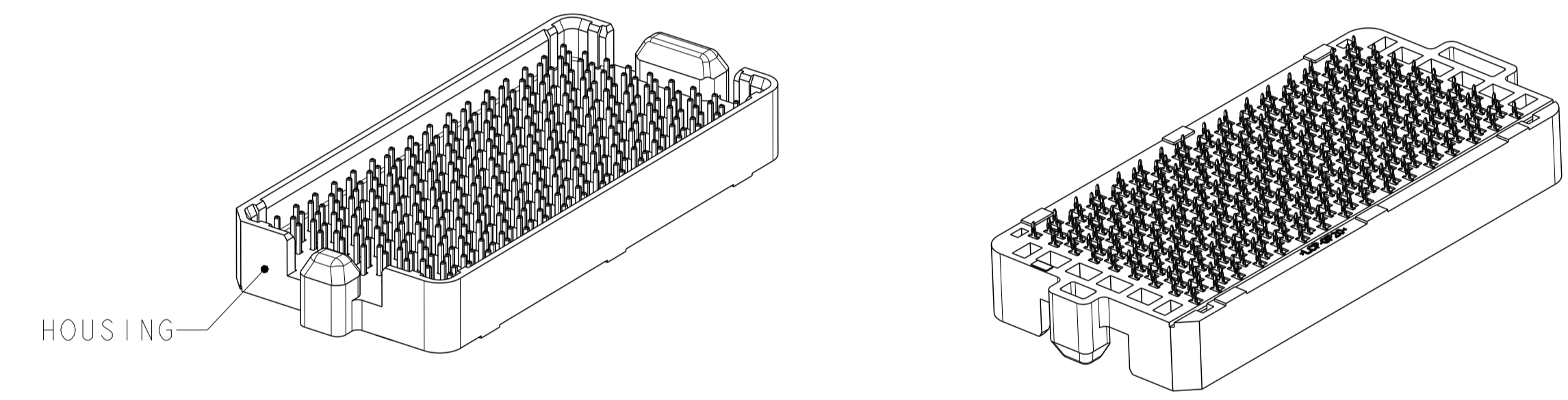
* SIZE 1 AND SIZE 2 ARE ALSO AVAILABLE

| | | | | |
|--|--|-----------------------------|---------------------------------|--------|
| THIS DRAWING IS A CONTROLLED DOCUMENT. | | DWN D. RINGLER 20JAN2010 | TE Connectivity | |
| DIMENSIONS: | | CHK D. TROUT 20JAN2010 | | |
| TOLERANCES UNLESS OTHERWISE SPECIFIED: | | APVD J. FEEDER 20JAN2010 | NAME HEADER ASSEMBLY | |
| mm | | PRODUCT SPEC | 120/384 | |
| 0 PLC ± | | APPLICATION SPEC | STRADA MESA MEZZANINE CONNECTOR | |
| 2 PLC ±0.13 | | SIZE | A1 | |
| 3 PLC ±0.013 | | CAGE CODE | 00779 | |
| 4 PLC ± | | DRAWING NO | C=2132790 | |
| ANGLES ± | | RESTRICTED TO | | |
| FINISH | | WEIGHT | | |
| MATERIAL | | CUSTOMER DRAWING | SCALE | 6:1 |
| | | | SHEET | 1 OF 4 |
| | | | REV | A |

| LOC | DIST | REVISIONS | | | | | |
|-----|------|-----------|-----|-------------|------|-----|------|
| GP | 00 | P | LYN | DESCRIPTION | DATE | OWN | APVD |
| | | - | | SEE SHEET 1 | - | - | - |



ISOMETRIC VIEW
TYPICAL CONFIGURATION FOR 14mm THRU 42mm
28mm SHOWN
SCALE 2:1



ISOMETRIC VIEWS
TYPICAL CONFIGURATION FOR 8mm THRU 13mm
8mm SHOWN
SCALE 2:1

| △ | 41.8 | 42mm | MATTE Sn | 9-2132790-2 |
|--------|-------|--------------|----------------------|-------------|
| △ | 40.8 | 41mm | MATTE Sn | 9-2132790-1 |
| YES | 39.8 | 40mm | MATTE Sn | 9-2132790-0 |
| △ | 38.8 | 39mm | MATTE Sn | 8-2132790-9 |
| △ | 37.8 | 38mm | MATTE Sn | 8-2132790-8 |
| △ | 36.8 | 37mm | MATTE Sn | 8-2132790-7 |
| △ | 35.8 | 36mm | MATTE Sn | 8-2132790-6 |
| △ | 34.8 | 35mm | MATTE Sn | 8-2132790-5 |
| △ | 33.8 | 34mm | MATTE Sn | 8-2132790-4 |
| △ | 32.8 | 33mm | MATTE Sn | 8-2132790-3 |
| △ | 31.8 | 32mm | MATTE Sn | 8-2132790-2 |
| △ | 30.8 | 31mm | MATTE Sn | 8-2132790-1 |
| △ | 29.8 | 30mm | MATTE Sn | 8-2132790-0 |
| △ | 28.8 | 29mm | MATTE Sn | 7-2132790-9 |
| YES | 27.8 | 28mm | MATTE Sn | 7-2132790-8 |
| △ | 26.8 | 27mm | MATTE Sn | 7-2132790-7 |
| △ | 25.8 | 26mm | MATTE Sn | 7-2132790-6 |
| △ | 24.8 | 25mm | MATTE Sn | 7-2132790-5 |
| △ | 23.8 | 24mm | MATTE Sn | 7-2132790-4 |
| YES | 22.8 | 23mm | MATTE Sn | 7-2132790-3 |
| △ | 21.8 | 22mm | MATTE Sn | 7-2132790-2 |
| △ | 20.8 | 21mm | MATTE Sn | 7-2132790-1 |
| △ | 19.8 | 20mm | MATTE Sn | 7-2132790-0 |
| △ | 18.8 | 19mm | MATTE Sn | 6-2132790-9 |
| △ | 17.8 | 18mm | MATTE Sn | 6-2132790-8 |
| △ | 16.8 | 17mm | MATTE Sn | 6-2132790-7 |
| △ | 15.8 | 16mm | MATTE Sn | 6-2132790-6 |
| △ | 14.8 | 15mm | MATTE Sn | 6-2132790-5 |
| △ | 13.8 | 14mm | MATTE Sn | 6-2132790-4 |
| △ | 12.8 | 13mm | MATTE Sn | 6-2132790-3 |
| △ | 11.8 | 12mm | MATTE Sn | 6-2132790-2 |
| △ | 10.8 | 11mm | MATTE Sn | 6-2132790-1 |
| YES | 9.8 | 10mm | MATTE Sn | 6-2132790-0 |
| △ | 8.8 | 9mm | MATTE Sn | 5-2132790-9 |
| △ | 7.8 | 8mm | MATTE Sn | 5-2132790-8 |
| TOOLED | DIM H | STACK HEIGHT | CONTACT TAIL PLATING | PART NUMBER |

| △ | 41.8 | 42mm | Sn/Pb | 4-2132790-2 |
|--------|-------|--------------|----------------------|-------------|
| △ | 40.8 | 41mm | Sn/Pb | 4-2132790-1 |
| YES | 39.8 | 40mm | Sn/Pb | 4-2132790-0 |
| △ | 38.8 | 39mm | Sn/Pb | 3-2132790-9 |
| △ | 37.8 | 38mm | Sn/Pb | 3-2132790-8 |
| △ | 36.8 | 37mm | Sn/Pb | 3-2132790-7 |
| △ | 35.8 | 36mm | Sn/Pb | 3-2132790-6 |
| △ | 34.8 | 35mm | Sn/Pb | 3-2132790-5 |
| △ | 33.8 | 34mm | Sn/Pb | 3-2132790-4 |
| △ | 32.8 | 33mm | Sn/Pb | 3-2132790-3 |
| △ | 31.8 | 32mm | Sn/Pb | 3-2132790-2 |
| △ | 30.8 | 31mm | Sn/Pb | 3-2132790-1 |
| △ | 29.8 | 30mm | Sn/Pb | 3-2132790-0 |
| △ | 28.8 | 29mm | Sn/Pb | 2-2132790-9 |
| YES | 27.8 | 28mm | Sn/Pb | 2-2132790-8 |
| △ | 26.8 | 27mm | Sn/Pb | 2-2132790-7 |
| △ | 25.8 | 26mm | Sn/Pb | 2-2132790-6 |
| △ | 24.8 | 25mm | Sn/Pb | 2-2132790-5 |
| △ | 23.8 | 24mm | Sn/Pb | 2-2132790-4 |
| YES | 22.8 | 23mm | Sn/Pb | 2-2132790-3 |
| △ | 21.8 | 22mm | Sn/Pb | 2-2132790-2 |
| △ | 20.8 | 21mm | Sn/Pb | 2-2132790-1 |
| △ | 19.8 | 20mm | Sn/Pb | 2-2132790-0 |
| △ | 18.8 | 19mm | Sn/Pb | 1-2132790-9 |
| △ | 17.8 | 18mm | Sn/Pb | 1-2132790-8 |
| △ | 16.8 | 17mm | Sn/Pb | 1-2132790-7 |
| △ | 15.8 | 16mm | Sn/Pb | 1-2132790-6 |
| △ | 14.8 | 15mm | Sn/Pb | 1-2132790-5 |
| △ | 13.8 | 14mm | Sn/Pb | 1-2132790-4 |
| △ | 12.8 | 13mm | Sn/Pb | 1-2132790-3 |
| △ | 11.8 | 12mm | Sn/Pb | 1-2132790-2 |
| △ | 10.8 | 11mm | Sn/Pb | 1-2132790-1 |
| YES | 9.8 | 10mm | Sn/Pb | 1-2132790-0 |
| △ | 8.8 | 9mm | Sn/Pb | 2132790-9 |
| △ | 7.8 | 8mm | Sn/Pb | 2132790-8 |
| TOOLED | DIM H | STACK HEIGHT | CONTACT TAIL PLATING | PART NUMBER |

THIS DRAWING IS A CONTROLLED DOCUMENT. DWG: D. RINGLER 20JAN2010
 CHK: D. TROUT 20JAN2010
 APVD: J. FEEDER 20JAN2010

STE TE Connectivity

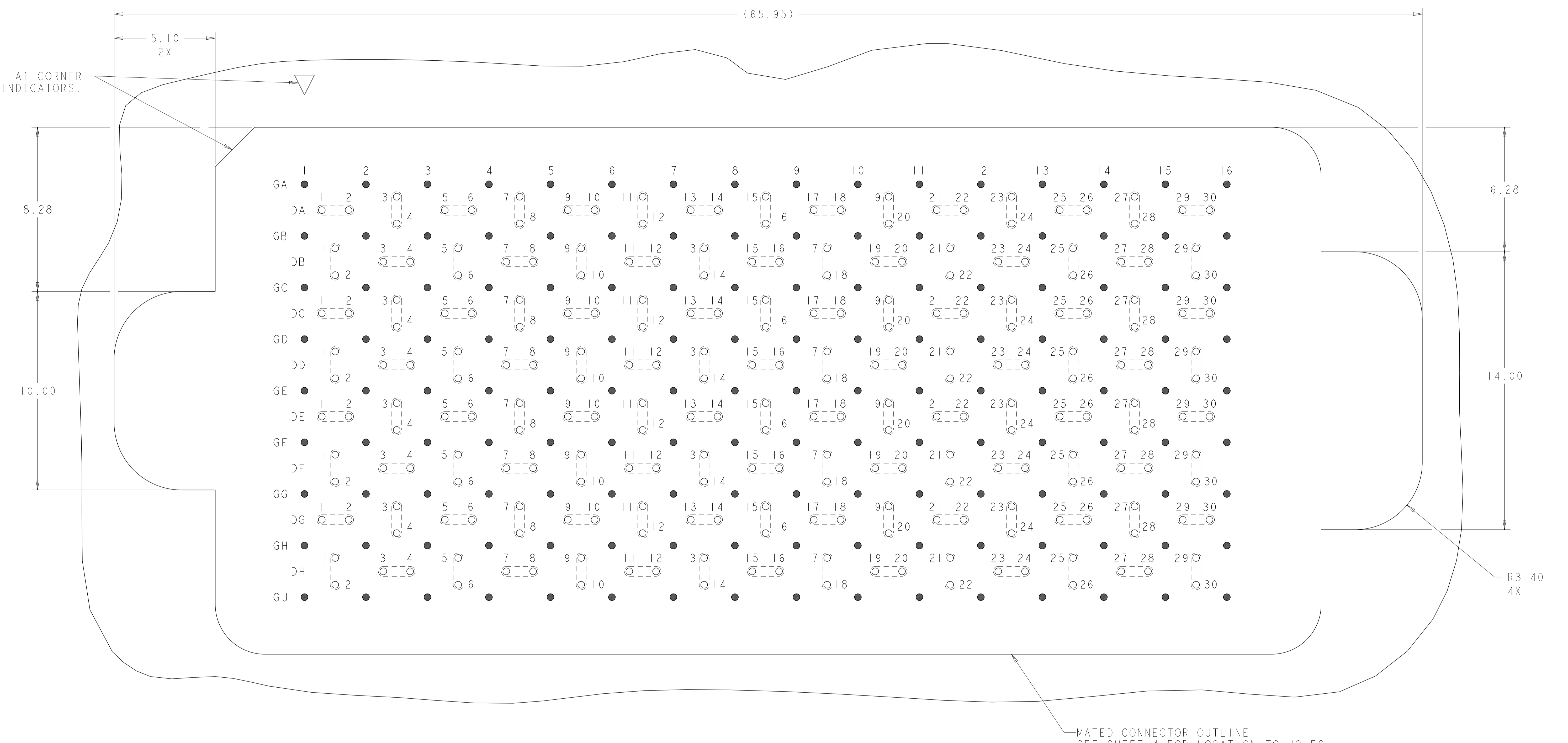
NAME: HEADER ASSEMBLY
 120/384
 STRADA MESA MEZZANINE CONNECTOR

PRODUCT SPEC: 108-2375
 APPLICATION SPEC: 114-13249

SIZE: A1 CAGE CODE: 2132790 DRAWING NO: 100779
 WEIGHT: -
 CUSTOMER DRAWING

RESTRICTED TO: -
 SCALE: 6:1 SHEET 2 OF 4 REV A

| LOC | | DIST | | REVISIONS | | | |
|-----|-----|-------------|------|-----------|------|--|--|
| P | LYN | DESCRIPTION | DATE | DWN | APVD | | |
| - | - | SEE SHEET 1 | - | - | - | | |
| | | | | | | | |
| | | | | | | | |



PCB LAYOUT AND PIN IDENTIFICATION
 SHOWN FROM CONNECTOR SIDE
 SCALE 10:1

| | | | | |
|--|--|-----------------------------|---------------------------------|--------------|
| THIS DRAWING IS A CONTROLLED DOCUMENT. | | DWN D. RINGLER 20JAN2010 | TE Connectivity | |
| DIMENSIONS: | | CHK D. TROUT 20JAN2010 | | |
| mm | TOLERANCES UNLESS OTHERWISE SPECIFIED: | APVD J. FEEDER 20JAN2010 | NAME HEADER ASSEMBLY | |
| | 0 PLC ± | PRODUCT SPEC | 120/384 | |
| | 2 PLC ±0.13 | APPLICATION SPEC | STRADA MESA MEZZANINE CONNECTOR | |
| | 3 PLC ±0.013 | SIZE CAGE CODE DRAWING NO | A100779C=2132790 | |
| | 4 PLC ± | RESTRICTED TO | | |
| | ANGLES ±1 | WEIGHT | | |
| MATERIAL | FINISH | CUSTOMER DRAWING | SCALE 6:1 | SHEET 3 OF 4 |
| | | | REV A | |

