

# LTC6950 1.4GHz Low Phase Noise, Low Jitter PLL with Clock Distribution

## DESCRIPTION

Demonstration circuit 1795A features the [LTC®6950](#), a 1.4GHz low phase noise, low jitter PLL with clock distribution.

For ease of use, the DC1795A comes installed with a 100MHz reference and a 1GHz VCSO, voltage controlled SAW oscillator with sine wave output. All differential inputs and outputs have 0.5" spaced SMA connectors. The DC1795A has four AC coupled LVPECL outputs with 50Ω transmission lines making them suitable to drive 50Ω impedance instruments. The LVDS/CMOS output is DC coupled. The LTC6950's EZSync™ function is made available via a turret and an SMA connector.

For the evaluation of the LTC6950 with other VCOs and references, the DC1795A can be modified to accommodate different on-board or external components. It also allows the user the option of a passive or active loop filter.

A DC590 USB serial controller board is used for SPI communication with the LTC6950, controlled by the supplied ClockWizard™ software.

**Design files for this circuit board are available at <http://www.linear.com/demo/DC1795A>**

LT, LT, LTC, LTM, Linear Technology and the Linear Logo are registered trademarks and EZSync and ClockWizard are trademarks of Linear Technology Corporation. All other trademarks are the property of their respective owners.

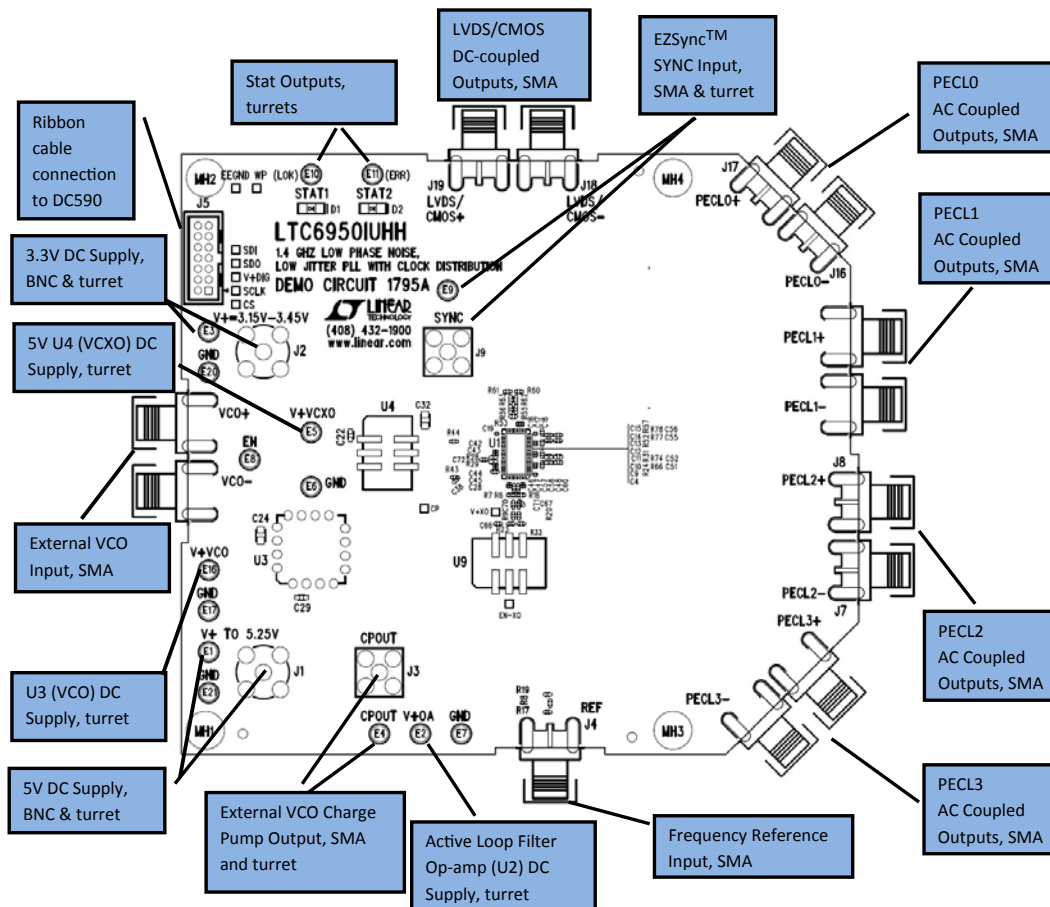


Figure 1. DC1795A Connections

## QUICK START PROCEDURE

The DC1795A is easy to set up to evaluate the performance of the LTC6950. Follow the procedure below.

The DC590 and ClockWizard application are required to control the DC1795A through a personal computer (PC).

### DC590 CONFIGURATION

Place the DC590 jumpers in the following positions (refer to Figure 2):

**JP4:** EE - Must be in the EN position.

**JP5:** ISO - ON must be selected.

**JP5:** SW - ON must be selected.

**JP6:** VCCIO - 3.3V or 5V must be selected. This sets the SPI port to 3.3V or 5V operation. 3.3V operation is recommended.

Connect the DC590 to one of your computer's USB ports with the included USB cable.

### CLOCKWIZARD INSTALLATION

The ClockWizard software is used to communicate with the LTC6950. It uses the DC590 to translate between USB and SPI-compatible serial communications formats. It also includes advanced PLL design and simulation capabilities. The following are the ClockWizard system requirements:

- Windows Operating System: Windows XP, Windows 2003 Server, Windows Vista, Windows 7
- Microsoft .NET 3.5 SP1 or later
- Windows Installer 3.1 or later
- Linear Technology's DC590 hardware

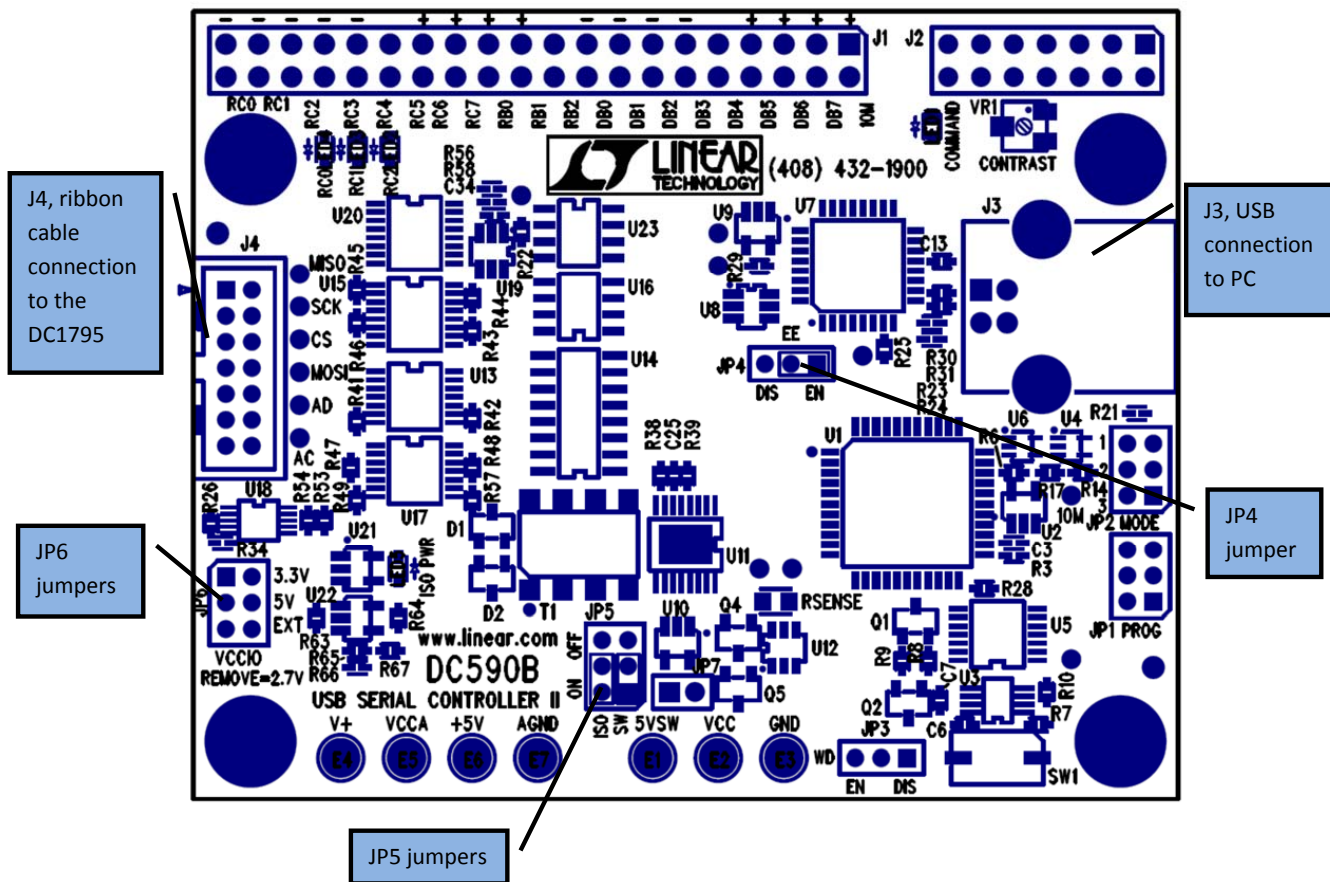


Figure 2. DC590 Jumper and Connector Locations

## QUICK START PROCEDURE

Download the ClockWizard setup file at [www.linear.com/ClockWizard](http://www.linear.com/ClockWizard).

Run the ClockWizard setup file and follow the instructions given on the screen. The setup file will verify and/or install Microsoft .NET and install the ClockWizard. Refer to the Help menu for software operation.

## DC1795A CONFIGURATION

1. Connect the GND, V<sup>+</sup> = 3.15V to 3.45V, V<sup>+</sup> to 5.25V and V<sup>+</sup> VCXO turrets to a power supply and apply power (see Figure 1 and the Typical DC1795A Requirements and Characteristics table).

2. Connect the DC590 to the DC1795A with the provided ribbon cable.

3. Run the ClockWizard application.

4. In ClockWizard, click File > Load Settings and point to the "LTC6950\_PECL0\_250MHz.clkset" file.

The green "STAT1" LED on the DC1795A should turn on and the "STAT2" LED should turn off indicating that the loop is locked at 1000MHz. A 250MHz signal should be present on the PECL0 outputs.

*Be sure to power down or terminate any unused RF output with 50Ω, or poor spurious performance may result.*

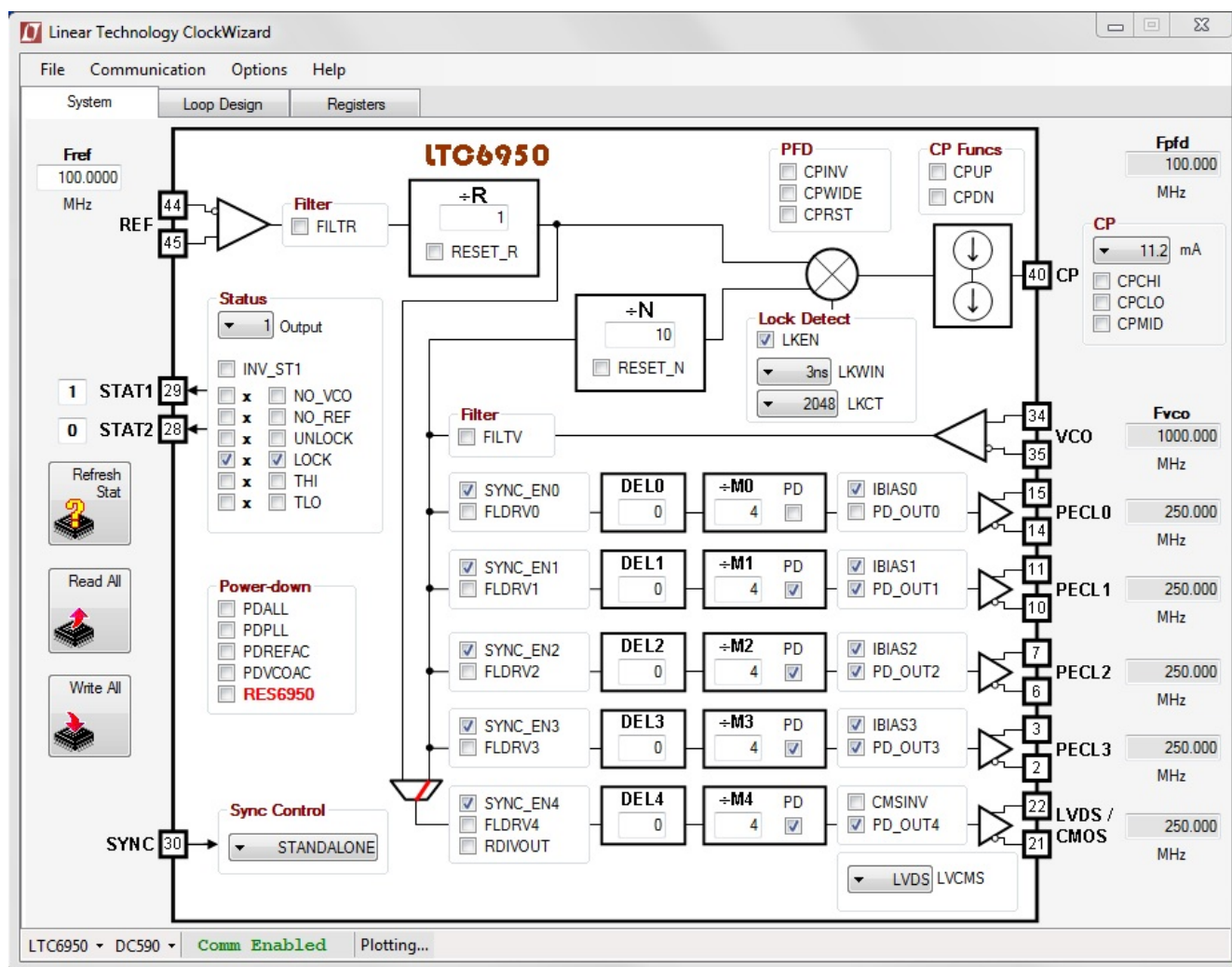


Figure 3. ClockWizard Screenshot

## QUICK START PROCEDURE

### TROUBLESHOOTING

If the green LED does not illuminate, follow the instructions below:

1. Verify that you are able to communicate with the DC1795A. The bottom status line in ClockWizard should read “LTC6950” and “Comm Enabled.”
2. Verify that  $V^+ = 3.15V$  to  $3.45V$ ,  $V^+$  to  $5.25V$  and  $V^+$  VCXO turrets have the correct voltages on them (see the Typical DC1795A Requirements and Characteristics table).

3. Select “Status” Output = 2 in ClockWizard’s System Tab. Click “Read All.” See if the NO\_VCO or NO\_REF boxes in the second column are checked.
  - a. If NO\_REF is checked, verify the “V+ XO” test point voltage is set to 3.3V. Verify R73 is installed (0 ohm)
  - b. If NO\_VCO is checked, verify the components between U4 and U1 match the default BOM.

Contact the factory for further troubleshooting.

---

## DC1795A RECONFIGURATION

The DC1795A allows the use of a variety of references, VCOs and active or passive loop filters. The following covers the hardware reconfiguration of the DC1795A. Refer to ClockWizard and the LTC6950 data sheet to better understand how to change programmed parameters on the DC1795A.

### LTC6950 CLKSET FILES

The ClockWizard provides three different clkset files for evaluation purposes. These files were made for the default bill of materials. If board modifications are made, these files or the loop filter may need to be modified for the LTC6950 to lock correctly.

1. LTC6950\_PECLO\_250MHz.clkset: Produces a 250MHz output on PECLO. All other outputs are powered down.
2. LTC6950\_Figure16\_250MHz.clkset: Matches Figure 16 of the LTC6950 data sheet. To sync outputs, refer to the EZSync Function section.
3. LTC6950\_ALL\_CHAN\_250MHz.clkset: Produces a 250MHz output on all five outputs. To sync outputs, refer to the EZSync Function section.

### EZSync FUNCTION

Apply a 1ms or longer high pulse to the SYNC SMA connector to take advantage of the EZSync function. Refer to the LTC6950 data sheet for SYNC timing and level requirements.

### LVPECL OUTPUT OPTIONS

The DC1795A has four AC coupled LVPECL outputs. Internal biasing ( $IBIASx = H$ ) is required with this default termination network. The DC1795A has options for pull down or series resistors to accommodate the other LVPECL termination networks described in the data sheet.

### LVDS/CMOS OUTPUT OPTIONS

The LVDS/CMOS output is DC coupled without on-board termination by default. The DC1795A provides pull down, series and a differential termination resistor options to accommodate other termination networks described in the data sheet.

## DC1795A RECONFIGURATION

### REFERENCE OPTIONS

Table 1 details the available reference options and board modifications for each available option. The CLKSET files described above assume the noise profile of the default reference. If a different reference is used, change the reference noise profile in ClockWizard before simulating the LTC6950 under the Loop Design tab.

### VCO INPUT OPTIONS

Table 2 describes the available VCO input options. Board modifications and power requirements for each option are also provided in Table 2. There are two different oscillator footprints on the board: U3, which accommodates the popular 0.5" × 0.5" package, and U4, which accommodates another common 14mm × 9mm package with four or six pins. U4 also accommodates the smaller 5mm × 7.5mm package. An external connectorized VCO can also drive the LTC6950 through SMA connector J15. The CLKSET files described above assume the noise profile for the default VCO. If a different VCO is used, change the VCO noise profile in ClockWizard before simulating the LTC6950 under the Loop Design tab.

### CLOCK FOLLOWER

When using the LTC6950 as a clock follower the LTC6950's PLL circuitry can be powered down by setting the PDPLL bit in ClockWizard. This will reduce the LTC6950's overall power consumption. Table 2 describes how to reconfigure the board for a differential external input when using the LTC6950 as a clock follower. Refer to the EZSync Function section and to the data sheet for more details on using the LTC6950 as a clock follower.

### LOOP FILTER DESIGN AND INSTALLATION

Tables 3, 4 and 5 cross reference the loop filter options shown in ClockWizard's Loop Design tab with the DC1795A component reference designators. Table 3 is dedicated to the default oscillator, component U4. Table 4 is dedicated to another common oscillator footprint, component U3. Table 5 can be used with external oscillators. Use ClockWizard to select, design and simulate different loop filters.

Some VCO tuning voltage ranges are greater than the LTC6950 charge pump voltage range (refer to the LTC6950 data sheet). In such cases, an active loop filter using an op amp can deliver the required tuning voltage. When satisfied with the loop filter design, use Tables 3, 4 and 5 to help identify which components should be modified. The loop filter components are located on the bottom side of the DC1795A.

**Table 1. Reference Options and Board Modifications**

| DEFAULT OPTION | REFERENCE OPTION | INSTALL           | DEPOPULATE | LTC6950 PERFORMANCE  | COMMENTS   |
|----------------|------------------|-------------------|------------|--|--|
| ●              | On-Board         | NA                | NA         | Limited by on board reference at frequency offsets <10kHz        | U9 can accommodate any 5mm × 7.5mm or 9mm × 14mm oscillator package                              |
|                | External         | C67<br>0402 0.1μF | R73, C71   | Best performance when using an ultralow noise external reference | For improved performance connect J4 to a very low noise reference, such as the Wenzel 501-04517D |

# DEMO MANUAL DC1795A

## DC1795A RECONFIGURATION

**Table 2. VCO Input Options: Power Settings and Board Modifications**

| DEFAULT OPTION | OSCILLATOR            | BOARD MODIFICATIONS                  |                | OSCILLATOR POWER SETTINGS  |  |   |   | COMMENTS   |
|----------------|-----------------------|--------------------------------------|----------------|--|--|---|---|--|
|                |                       | INSTALL                              | DEPOPULATE     | V+ OA TURRET   | V+ VXCO TURRET   | V+ VCO TURRET   | EN TURRET   |  |
| ●              | U4                    | NA (Default)                         | NA (Default)   | [For Active Filters Only] Determined by U4 V <sub>TUNE</sub> specification. 5V for Default U4. Must be less than 24V | Determined by U4 V <sub>CC</sub> specification. 5V for Default U4. Must be less than 24V | -   | Connects to pin 2 of U4. Not used with Default U4 | Refer to Table 3: loop filter component selections for U4  |
|                | U3                    | U3, *C38 0402 0Ω                     | *R43           | [For Active Filters Only] Determined by U3 V <sub>TUNE</sub> specification. Must be less than 24V                    | -  | Determined by U3 V <sub>CC</sub> specification. Must be less than 24V | -   | Refer to Table 4: loop filter component selections for U3  |
|                | Single-Ended External | *C25 0402 0Ω                         | *R25, R40, R41 | [For Active Filters Only] Determined by External Oscillator V <sub>TUNE</sub> specification, must be less than 24V   | -  | -   | -   | Connect signal to J15. Refer to Table 5: loop filter component selections.   |
|                | Differential External | *C25, C26 0402 0Ω<br>C69 0402 ~100pF | *R25, R40, R41 | [For Active Filters Only] Determined by External Oscillator V <sub>TUNE</sub> specification, must be less than 24V   | -  | -   | -   | Connect signals to J14 and J15. [For External Oscillator Only] Refer to Table 5: loop filter component selections. |

\* General Recommendations: There are several termination and common mode options on the DC1795A for different input signal types. Refer to the DC1795A schematic, the LTC6950 data sheet and the data sheet for the VCO or clock distribution component used for an optimum termination network.

**Table 3. Loop Filter Selection for U4 Oscillator (Refer to ClockWizard's Loop Design Tab)**

| DEFAULT OPTION | CLOCKWIZARD AND BOM CROSS REFERENCE |      |               |      |     |     |     | OTHER MODIFICATIONS |            | COMMENTS   |
|----------------|-------------------------------------|------|---------------|------|-----|-----|-----|---------------------|------------|--|
|                | LOOP FILTER TYPE                    | RZ   | CI            | CP   | R1  | C2  | L1  | INSTALL             | DEPOPULATE |  |
| ●              | Filter 1 (Passive)                  | RZ_P | CI1_P + CI2_P | CP_P | -   | -   | -   | -                   | -          | RZ_P, CI1_P, CI2_P, CP_P populated with default values |
|                | Filter 2 (Passive)                  | RZ_P | CI1_P + CI2_P | CP_P | R12 | C22 | -   | -                   | -          |  |
|                | Filter 3 (Passive)                  | RZ_P | CI1_P + CI2_P | CP_P | R72 | C22 | R12 | -                   | -          |  |
|                | Filter 4 (Active)                   | RZ_A | CI1_A + CI2_A | CP_A | R12 | C22 | -   | R69, R71 (0402 0Ω)  | R70, R72   | Select CPINV under the ClockWizard System tab          |

**Table 4. Loop Filter Selection for U3 Oscillator (Refer to ClockWizard's Loop Design Tab)**

| DEFAULT OPTION | CLOCKWIZARD AND BOM CROSS REFERENCE |      |               |      |     |     |     | OTHER MODIFICATIONS |               | COMMENTS                                      |
|----------------|-------------------------------------|------|---------------|------|-----|-----|-----|---------------------|---------------|---|
|                | LOOP FILTER TYPE                    | RZ   | CI            | CP   | R1  | C2  | L1  | INSTALL             | DEPOPULATE    |   |
|                | Filter 1 (Passive)                  | RZ_P | CI1_P + CI2_P | CP_P | -   | -   | -   | R18 (0402 0Ω)       | R12           |   |
|                | Filter 2 (Passive)                  | RZ_P | CI1_P + CI2_P | CP_P | R18 | C29 | -   | -                   | R12           |   |
|                | Filter 3 (Passive)                  | RZ_P | CI1_P + CI2_P | CP_P | R72 | C29 | R18 | -                   | R12           |   |
|                | Filter 4 (Active)                   | RZ_A | CI1_A + CI2_A | CP_A | R18 | C29 | -   | R69, R71 (0402 0Ω)  | R12, R70, R72 | Select CPINV under the ClockWizard System tab |

dc1795af

## DC1795A RECONFIGURATION

Table 5. Loop Filter Selection for External Oscillator (Refer to ClockWizard's Loop Design Tab)

| DEFAULT OPTION | CLOCKWIZARD AND BOM CROSS REFERENCE |      |               |      | OTHER MODIFICATIONS   |            | COMMENTS  |
|----------------|-------------------------------------|------|---------------|------|-----------------------|------------|---|
|                | LOOP FILTER TYPE                    | RZ   | CI            | CP   | INSTALL               | DEPOPULATE |   |
|                | Filter 1 (Passive)                  | RZ_P | CI1_P + CI2_P | CP_P | R68<br>(0402 0Ω)      | R72        | Connect CPOUT turret to V <sub>TUNE</sub> of external oscillator  |
|                | Filter 4 (Active)                   | RZ_A | CI1_A + CI2_A | CP_A | R67, R69<br>(0402 0Ω) | R70, R72   | Select CPINV under the ClockWizard System tab. Connect CPOUT turret to V <sub>TUNE</sub> of external oscillator |

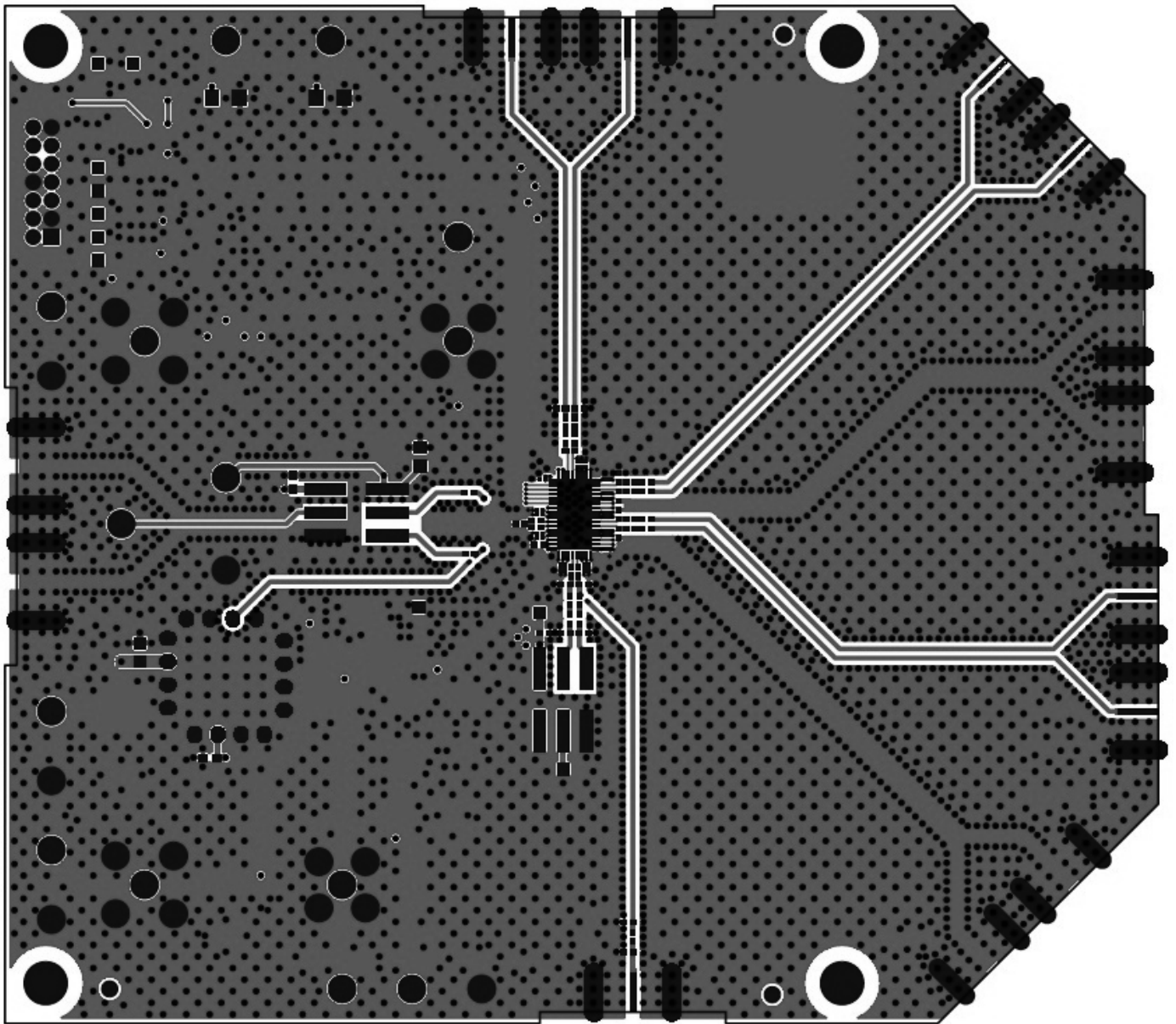
## TYPICAL DC1795A REQUIREMENTS AND CHARACTERISTICS

| PARAMETER  | INPUT OR OUTPUT | PHYSICAL LOCATION   | DETAILS   |
|--|-----------------|---|---|
| 3.3V Power Supply  | Input           | J2 BNC connector, or V <sup>+</sup> = 3.15V to 3.45V turret | Low-noise and spur-free 3.3V, 500mA default (200mA configured*). Powers LTC6950, U6, U7, U8 and U9  |
| Charge Pump Power Supply   | Input           | J1 BNC connector, or V <sup>+</sup> to 5.25V turret         | Low-noise and spur-free 5V, 35mA*. Powers LTC6950 and provides common mode to U2  |
| VCXO/VCSO Power Supply   | Input           | V <sup>+</sup> VCXO turret                                  | Low-noise and spur-free 5V, 20mA*. Powers U4  |
| LVDS/CMOS <sup>+</sup> , LVDS/CMOS <sup>-</sup>                                    | Two Outputs     | J19 and J18 SMA connectors**                                | DC coupled, 250MHz, (if enabled)*. Refer to LTC6950 data sheet for output levels for LVDS and CMOS option.  |
| PECL0 <sup>+</sup> , PECL0 <sup>-</sup>  | Two Outputs     | J17 and J16 SMA connectors**                                | AC coupled, 250MHz, 800mV <sub>P</sub> differential*. Must have LTC6950's IBIAS0 = H with default BOM. DC1795A has options for an external pull down resistor if IBIAS0 = L.              |
| PECL1 <sup>+</sup> , PECL1 <sup>-</sup>  | Two Outputs     | J13 and J12 SMA connectors**                                | AC coupled, 250MHz, 800mV <sub>P</sub> differential (if enabled)*. Must have LTC6950's IBIASX = H with default BOM. DC1795A has options for an external pull down resistor if IBIASX = L. |
| PECL2 <sup>+</sup> , PECL2 <sup>-</sup>  | Two Outputs     | J8 and J7 SMA connectors**                                  |   |
| PECL3 <sup>+</sup> , PECL3 <sup>-</sup>  | Two Outputs     | J11 and J10 SMA connectors**                                |   |
| SYNC   | Input           | SYNC turret or J9 SMA connector                             | EZSync, 0V to 3.3V control signal, refer to the data sheet  |
| STAT1, STAT2   | Output          | STAT1 and STAT2 turret                                      | STAT1 GREEN LED, if ON LTC6950 is locked*. STAT2 RED LED, if ON indicates issue*. Refer to the troubleshooting section and data sheet   |
| Loop Bandwidth   | -               | Set by loop filter component values                         | 4.2kHz*   |
| VCO Power Supply   | Input           | V <sup>+</sup> VCO turret                                   | Board Modifications required for use, see Table 2   |
| Active Loop Filter Supply  | Input           | V <sup>+</sup> OA turret                                    | Board Modifications required for use, see Table 2   |
| REF, External Reference  | Input           | J4 SMA connector  | Board Modifications required for use, see Table 1   |
| VCO <sup>+</sup> , VCO <sup>-</sup> , External VCO or Input for clock distribution | Input           | J14 and J15 SMA connectors                                  | Board Modifications required to use External VCO. See Tables 2 and 5. Clock Distribution, see Table 2 only  |
| CPOUT  | Output          | CPOUT Turret  | Used with External VCO, connect to external VCO's V <sub>TUNE</sub> voltage   |

\* These values are for the "LTC6950\_PECL0\_250MHz" file and the default on board VCO and Reference.

\*\* Any unused RF output must be powered down or terminated with 50Ω, or poor spurious performance may result.

**LAYOUT TOP LAYER**



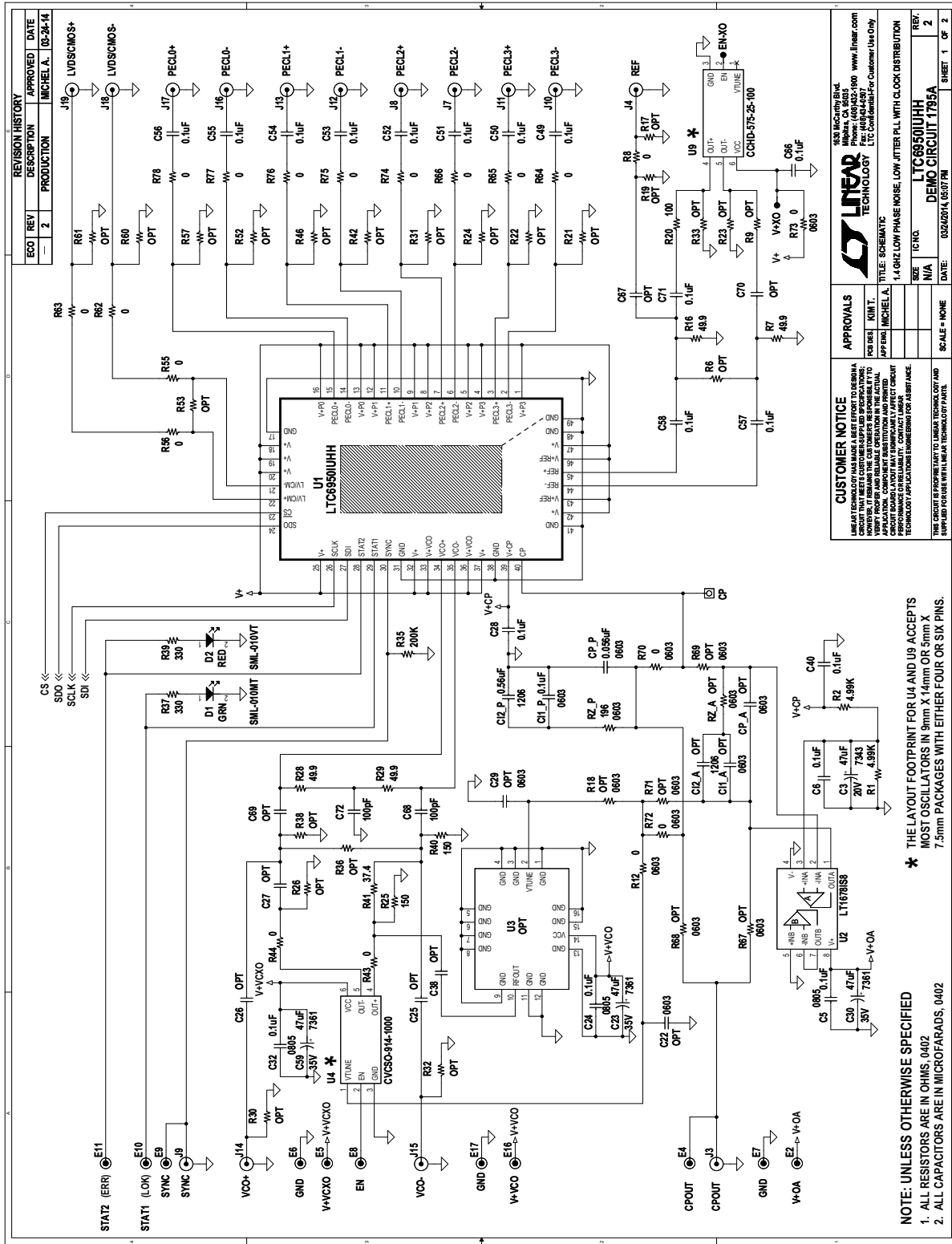


## PARTS LIST

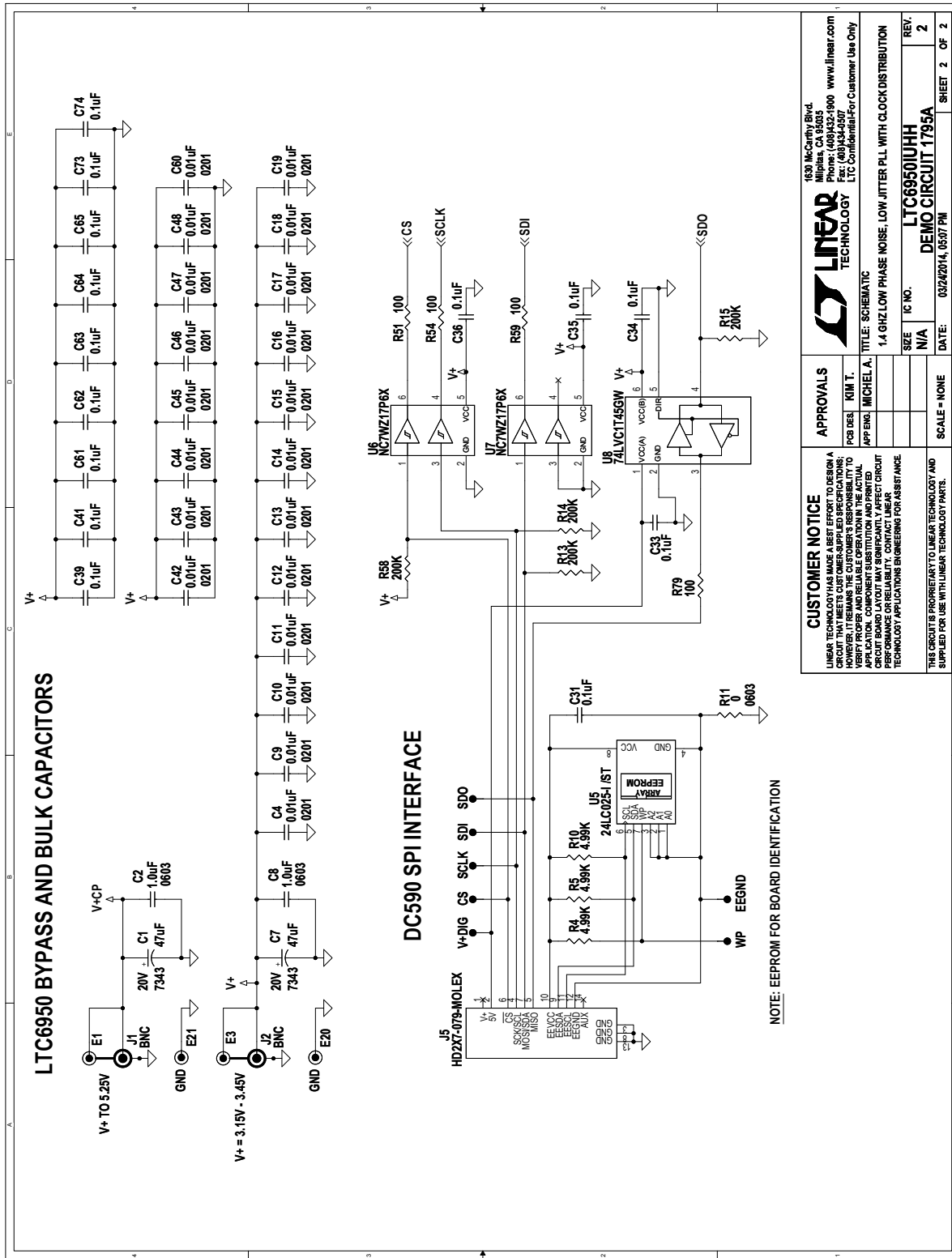
| ITEM | QTY | REFERENCE   | PART DESCRIPTION                   | MANUFACTURER/PART NUMBER          |
|------|-----|---|------------------------------------|-----------------------------------|
| 1    | 0   | CI1_A, C22, C29, CP_A   | CAP., 0603                         | OPT                               |
| 2    | 1   | CI1_P   | CAP., X7R, 0.1µF, 25V, 10%, 0603   | AVX, 06033C104KAT2A               |
| 3    | 0   | CI2_A   | CAP., 1206                         | OPT                               |
| 4    | 1   | CI2_P   | CAP., X7R, 0.56µF, 25V, 10%, 1206  | AVX, 12063C564KAT2A               |
| 5    | 1   | CP_P  | CAP., X7R, 0.056µF, 16V, 10%, 0603 | AVX, 0603YC563KAT2A               |
| 6    | 3   | C1, C3, C7  | CAP., TANT, 47µF, 20V, 20%, 7343   | AVX, TAJD476M020HNJ               |
| 7    | 2   | C2, C8  | CAP., X7R, 1µF, 10V, 10%, 0603     | AVX, 0603ZC105KAT2A               |
| 8    | 20  | C4, C9-C19, C42-C48, C60  | CAP., X7R, 0.01µF, 6.3V, 10%, 0201 | AVX, 02016C103KAT2A               |
| 9    | 3   | C5, C24, C32  | CAP., X7R, 0.1µF, 50V, 10%, 0805   | AVX, 08055C104KAT2A               |
| 10   | 29  | C6, C28, C31, C33-C36, C39-C41, C49-C58, C61-C66, C71, C73, C74                 | CAP., X7R, 0.1µF, 10V, 10%, 0402   | AVX, 0402ZC104KAT2A               |
| 11   | 3   | C23, C30, C59   | CAP., TANT, 47µF, 35V, 10%, 7361   | AVX, TAJV476K035RNJ               |
| 12   | 0   | C25-C27, C38, C67, C69, C70   | CAP., 0402                         | OPT                               |
| 13   | 2   | C68, C72  | CAP., NPO, 100pF, 25V, 10%, 0402   | AVX, 04023A101KAT2A               |
| 14   | 1   | D1  | LED, GREEN, LED-ROHM-SML-010FT     | ROHM, SML-010FTT86L               |
| 15   | 1   | D2  | LED, RED, LED-ROHM-SML-010VT       | ROHM, SML-010VTT86L               |
| 16   | 15  | E1-E11, E16, E17, E20, E21  | TURRET, TESTPOINT 0.064"           | MILL-MAX, 2308-2-00-80-00-00-07-0 |
| 17   | 2   | J1, J2  | CONN, BNC, 5 PINS                  | CONNEX, 112404                    |
| 18   | 2   | J3, J9  | CONN., SMA 50Ω STRAIGHT MOUNT      | CONNEX, 132134                    |
| 19   | 13  | J4, J7, J8, J10-J19   | CONN., SMA 50Ω EDGE-LAUNCH         | EMERSON, 142-0701-851             |
| 20   | 1   | J5  | CONN., HEADER, 14 PIN, 2mm         | MOLEX, 87831-1420                 |
| 21   | 1   | RZ_P  | RES., CHIP, 196Ω, 1/16W, 1%, 0603  | VISHAY, CRCW0603196RFKEA          |
| 22   | 5   | R1, R2, R4, R5, R10   | RES., CHIP, 4.99k, 1/16W, 1% 0402  | VISHAY, CRCW04024K99FKED          |
| 23   | 0   | R6, R9, R17, R19, R21-R24, R26, R30-R33, R36, R38, R42, R46, R52, R57, R60, R61 | RES., 0402                         | OPT                               |
| 24   | 4   | R7, R16, R28, R29   | RES., CHIP, 49.9, 1/16W, 1% 0402   | VISHAY, CRCW040249R9FKED          |
| 25   | 15  | R8, R43, R44, R55, R56, R62-R66, R74-R78  | RES., CHIP, 0Ω, 0402               | VISHAY, CRCW04020000Z0ED          |
| 26   | 5   | R11, R12, R70, R72, R73   | RES., CHIP, 0Ω, 0603               | YAGEO, RC0603JR-070RL             |
| 27   | 5   | R13-R15, R35, R58   | RES., CHIP, 200K, 1/16W, 1% 0402   | VISHAY, CRCW0402200KFKED 2rls     |
| 28   | 0   | R18, R67-R69, R71, RZ_A, R53  | RES., 0603                         | OPT                               |
| 29   | 5   | R20, R51, R54, R59, R79   | RES., CHIP, 100, 1/16W, 1% 0402    | NIC, NRC04F1000TRF                |
| 30   | 2   | R25, R40  | RES., CHIP, 150, 1/16W, 1% 0402    | VISHAY, CRCW0402150RFKED          |
| 31   | 2   | R37, R39  | RES., CHIP, 330, 1/16W, 1% 0402    | VISHAY, CRCW0402330RFKED          |
| 32   | 1   | R41   | RES., CHIP, 37.4, 1/16W, 1% 0402   | VISHAY, CRCW040237R4FKED          |
| 33   | 1   | U1  | I.C. LTC6950IUHH, QFN48UHH-5X9     | LINEAR TECH., LTC6950IUHH#PBF     |
| 34   | 1   | U2  | I.C. LT1678IS8, S08                | LINEAR TECH., LT1678IS8#PBF       |
| 35   | 0   | U3  | VCO, 0.5" × 0.5"                   | OPT                               |
| 36   | 1   | U4  | VCSO, 1GHz 5V                      | CRYSTEK, CVCSO-914-1000.000       |
| 37   | 1   | U5  | I.C., SERIAL EEPROM, TSSOP8        | MICROCHIP, 24LC025-I /ST          |
| 38   | 2   | U6, U7  | I.C., DUAL BUFFER, SC70-6          | FAIRCHILD SEMI., NC7WZ17P6X       |
| 39   | 1   | U8  | I.C., DUAL TRANSCEIVER, SOT363     | NXP, 74LVC1T45GW                  |
| 40   | 1   | U9  | CLOCK OSCILLATOR, 100MHz, 3.3V     | CRYSTEK, CCHD-575-25-100.000      |

# DEMO MANUAL DC1795A

## SCHEMATIC DIAGRAM



SCHEMATIC DIAGRAM



**CUSTOMER NOTICE**  
 LINEAR TECHNOLOGY HAS MADE A BEST EFFORT TO DESIGN A CIRCUIT THAT MEETS OUR CUSTOMER-SUPPLIED SPECIFICATIONS; HOWEVER, IT REMAINS THE CUSTOMER'S RESPONSIBILITY TO VERIFY THE PERFORMANCE OF THE CIRCUIT IN THEIR APPLICATION. COMPONENT SUBSTITUTION AND PRINTED CIRCUIT BOARD LAYOUT MAY SIGNIFICANTLY AFFECT CIRCUIT PERFORMANCE OR RELIABILITY. CONTACT LINEAR TECHNOLOGY APPLICATIONS ENGINEERING FOR ASSISTANCE.

**APPROVALS**  
 PCB DESIG: KIM T.  
 APP ENGR: MICHEL A.

**LINEAR TECHNOLOGY**  
 1630 McCarty Blvd.  
 Fremont, CA 94532-5000  
 Phone: (408)432-5000 www.linear.com  
 Fax: (408)434-6507  
 LTC Confidential For Customer Use Only

**1.4 GHz LOW PHASE NOISE, LOW JITTER PLL WITH CLOCK DISTRIBUTION**

SCALE = NONE  
 DATE: 03/24/2014, 05:07 PM  
 SHEET 2 OF 2

REV. 2  
 LTC6950IUHH  
 DEMO CIRCUIT 1795A

**Note:** The buffers shown on sheet 2 of 2 of the schematic are used to protect the LTC6950 when connected to the DC590 before the LTC6950 is powered up. There is no need for such circuitry if the SPI bus is not active before powering up the LTC6950. The EEPROM is for identification and is not needed to program the LTC6950.



Information furnished by Linear Technology Corporation is believed to be accurate and reliable. However, no responsibility is assumed for its use. Linear Technology Corporation makes no representation that the interconnection of its circuits as described herein will not infringe on existing patent rights.

# DEMO MANUAL DC1795A

---

## DEMONSTRATION BOARD IMPORTANT NOTICE

Linear Technology Corporation (LTC) provides the enclosed product(s) under the following **AS IS** conditions:

This demonstration board (DEMO BOARD) kit being sold or provided by Linear Technology is intended for use for **ENGINEERING DEVELOPMENT OR EVALUATION PURPOSES ONLY** and is not provided by LTC for commercial use. As such, the DEMO BOARD herein may not be complete in terms of required design-, marketing-, and/or manufacturing-related protective considerations, including but not limited to product safety measures typically found in finished commercial goods. As a prototype, this product does not fall within the scope of the European Union directive on electromagnetic compatibility and therefore may or may not meet the technical requirements of the directive, or other regulations.

If this evaluation kit does not meet the specifications recited in the DEMO BOARD manual the kit may be returned within 30 days from the date of delivery for a full refund. **THE FOREGOING WARRANTY IS THE EXCLUSIVE WARRANTY MADE BY THE SELLER TO BUYER AND IS IN LIEU OF ALL OTHER WARRANTIES, EXPRESSED, IMPLIED, OR STATUTORY, INCLUDING ANY WARRANTY OF MERCHANTABILITY OR FITNESS FOR ANY PARTICULAR PURPOSE. EXCEPT TO THE EXTENT OF THIS INDEMNITY, NEITHER PARTY SHALL BE LIABLE TO THE OTHER FOR ANY INDIRECT, SPECIAL, INCIDENTAL, OR CONSEQUENTIAL DAMAGES.**

The user assumes all responsibility and liability for proper and safe handling of the goods. Further, the user releases LTC from all claims arising from the handling or use of the goods. Due to the open construction of the product, it is the user's responsibility to take any and all appropriate precautions with regard to electrostatic discharge. Also be aware that the products herein may not be regulatory compliant or agency certified (FCC, UL, CE, etc.).

No License is granted under any patent right or other intellectual property whatsoever. **LTC assumes no liability for applications assistance, customer product design, software performance, or infringement of patents or any other intellectual property rights of any kind.**

LTC currently services a variety of customers for products around the world, and therefore this transaction **is not exclusive**.

**Please read the DEMO BOARD manual prior to handling the product.** Persons handling this product must have electronics training and observe good laboratory practice standards. **Common sense is encouraged.**

This notice contains important safety information about temperatures and voltages. For further safety concerns, please contact a LTC application engineer.

Mailing Address:

Linear Technology  
1630 McCarthy Blvd.  
Milpitas, CA 95035

Copyright © 2004, Linear Technology Corporation