

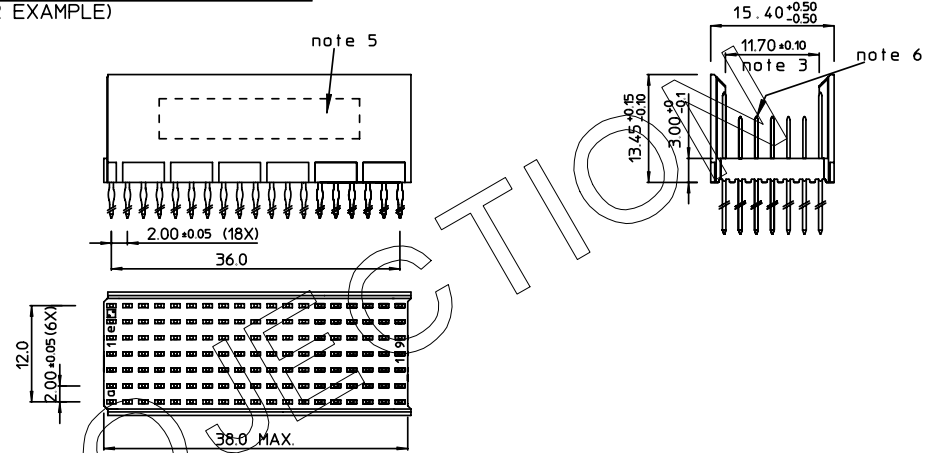
GEN. ST.	01	02	03	04	05	06	07	08	0D	50	60	70	80	90																	
INT. ST.	10	11	12	13	14	18	20	31	32	33	34	38	39	40	42	43	44	45	46	48	56	70	72	73	75	76	81	82	83	84	88

REV.	DATE	DESCRIPTION	BY	C'K'D'
A	2001-09-14	CONVERSION REVISION 02	KN	
B	2002-05-31	EC B20086	BVE	
C	2005-10-25	105-0201	VIVEK	BKP
D	2006-07-06	106-0097	VIVEK	BKP

LOADING PATTERN MATING SIDE

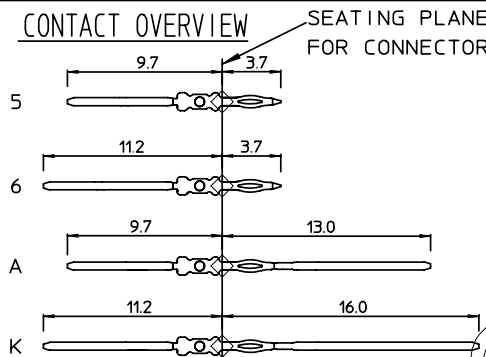
f	K	K	K	K	K	K	K	K	K	K	K	K	6	6	6	6	6	6
e	A	A	A	A	A	A	A	A	A	A	A	A	5	5	5	5	5	5
d	A	A	A	A	A	A	A	A	A	A	A	A	5	5	5	5	5	5
c	A	A	A	A	A	A	A	A	A	A	A	A	5	5	5	5	5	5
b	A	A	A	A	A	A	A	A	A	A	A	A	5	5	5	5	5	5
a	A	A	A	A	A	A	A	A	A	A	A	A	5	5	5	5	5	5
z	K	K	K	K	K	K	K	K	K	K	K	K	6	6	6	6	6	6
P	0	0	1	1	1	1	1	1	1	1	1	1	5	5	5	5	5	5
S	1	5	0	5	1	5	1	9										

LOADED CONNECTOR ASSEMBLY
(FOR EXAMPLE)

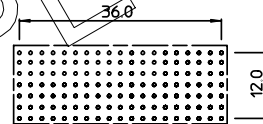


SHEET NR. : 536

CONTACT OVERVIEW



LAY-OUT P.C.B.-HOLE



LEAD FREE INDICATOR : LF = LEAD FREE
(DIGIT 15 & 16)

HM2P71PKS1L5

PLATING CODE (DIGIT 13 AND 14)
(REF DWG No. BS,C ,201844,003)

NOTES:

1. THIS PRODUCT IS CSA APPROVED.
2. THIS PRODUCT IS UL RECOGNIZED.
3. MEASURED AT THE BOTTOM.
4. MATERIAL CONTACT: PHOSPHORBRONZE
HOUSING: CREAM WHITE GLASSFILLED
POLYESTER UL-94V0
5. CONNECTOR PRINTED WITH P/N AND DATE CODE.
6. FOR ACTUAL CONTACT LOADINGS, SEE LOADING PATTERN MATING SIDE.
7. SHAPE OF CONNECTOR HOUSING CAN ALTER DEPENDING ON PRODUCTION LOCATION.
8. THE PRODUCT (LF) MEETS EUROPEAN UNION DIRECTIVES AND OTHER COUNTRY REGULATIONS AS DESCRIBED IN GS-22-008
9. FOR RECOMMENDED PTH DIMENSIONS REFER DRAWING : BS,A ,201572.001

EUROPEAN PROTECTIVE

1DEC ±0,2 2DEC ±0,1 ANGLES ±1°	APPR.	DATE	SIGN.	LOADING PATTERN OVERVIEW
	DRAFT	1998-09-01	M.Frel	CAT. No. HM2P71PKS1L5----
	CHECKED			
WE RESERVE THE RIGHT TO CHANGE DIMENSIONS OR REQUIREMENTS WITHOUT PRIOR NOTICE.	PROD. MGR.			SCALE
	PR. ENG. MGR.			www.fciconnect.com
	PR. MGT. MGR.			

ALL DIMENSIONS IN MM

REFERENCES



BS,C ,201843,432 D

PDM: Rev:D

STATUS: Released

CUSTOMER DRAWING REVISION