

ITEM NUMBER	DESCRIPTION
71626-4000	GUIDE HARDWARE ATTACHED

ADD COSMETIC NOTE EC NO: UCP2006-3051 2006/07/10 DRAWN BY: BARRA 2006/07/10 CHKD: BORGAN 2006/07/10 APPR: SMILLER 2006/07/11	QUALITY SYMBOLS 	GENERAL TOLERANCES (UNLESS SPECIFIED)		DIMENSION STYLE IN/MM		SCALE 4:1	DESIGN UNITS INCH	THIRD ANGLE PROJECTION	
		4 PLACES ± .010	± .010	DRAWN BY	DATE	TITLE			
		3 PLACES ± .025	± .010	CHECKED BY	DATE	.050 PITCH LFH 160 CKT. RIGHT ANGLE I/O FEMALE SALES ASSY W/HARDWARE			
		2 PLACES ± .025	± .010	APPROVED BY	DATE	MOLEX MOLEX INCORPORATED			
1 PLACE ± .025	± .010	ANGULAR ±1/2°		MATERIAL NO.	DATE	DOCUMENT NO.		SHEET NO.	
DRAFT WHERE APPLICABLE MUST REMAIN WITHIN DIMENSIONS		SEE TABLE		SDA-71626-400*		1 OF 2			
THIS DRAWING CONTAINS INFORMATION THAT IS PROPRIETARY TO MOLEX INCORPORATED AND SHOULD NOT BE USED WITHOUT WRITTEN PERMISSION									

NOTES:

1) MATERIALS:

HOUSING: LIQUID CRYSTAL POLYMER, 30% GLASS FILLED, 94V-0, BLACK
 TAIL ALIGNER: LIQUID CRYSTAL POLYMER, 30% GLASS FILLED, 94V-0, BLACK
 MOLDED STICK: LIQUID CRYSTAL POLYMER, 30% GLASS FILLED, 94V-0, BLACK
 FEMALE CONTACT: BERYLLIUM COPPER, .0100±.0005/0.254±.013
 OUTER SHELL: LOW CARBON STEEL
 THREADED INSERT: BRASS

2) PLATING:

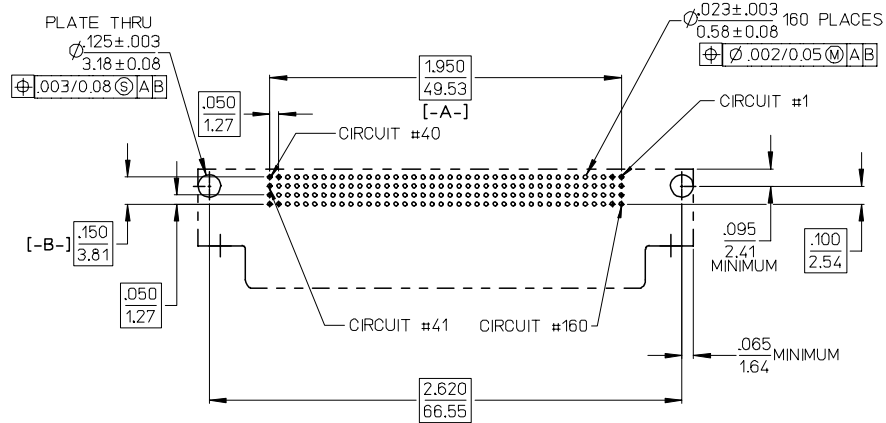
CONTACT: 30 MICROINCHES/0.76 MICROMETERS MINIMUM GOLD
 OVER 50 MICROINCHES/1.27 MICROMETERS MINIMUM NICKEL
 IN CONTACT AREA
 100 MICROINCHES/2.54 MICROMETERS MINIMUM PURE TIN (MATTE FINISH)
 ON TAIL SECTION, OVER 50 MICROINCHES/1.27 MICROMETERS MINIMUM
 NICKEL OVERALL

OUTER SHELL: 150-250 MICROINCHES/3.81-6.35 MICROMETERS BRIGHT TIN OVER
 50-150 MICROINCHES/ 1.27-3.81 MICROMETERS NICKEL OVER COPPER
 FLASH OVERALL (OPTIONAL)

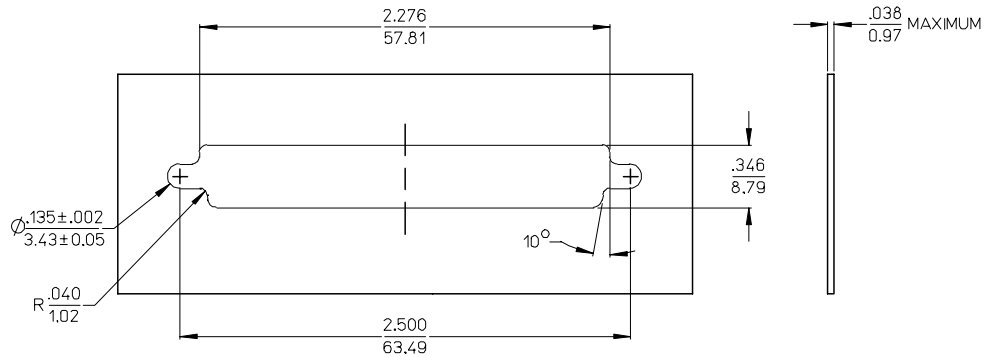
3) THIS PART CONFORMS TO MOLEX PRODUCT SPECIFICATION PS-71626.

4) PACKAGING SPECIFICATION PK-70873-0299 APPLIES.

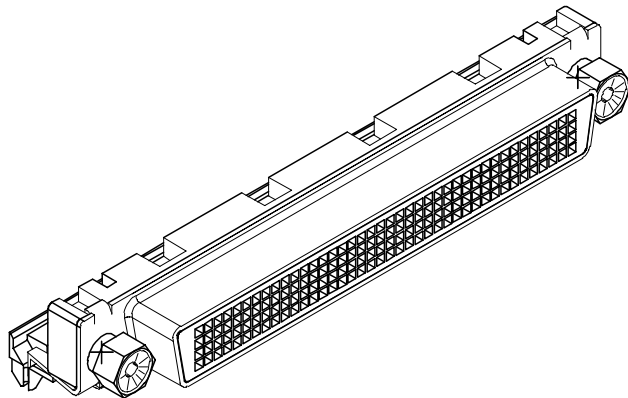
5) PART COMPLIES WITH CLASS B OF COSMETIC SPECIFICATION PS-45499-002



RECOMMENDED PC BOARD LAYOUT
 COMPONENT SIDE



PANEL CUT-OUT DIMENSIONS
 ALL TOLERANCES ±.003/0.08
 UNLESS OTHERWISE STATED.



CONVERT TO ME10 EC NO: UCP2006-3051 DRAWN BY: BARRA 2006/07/10 CHKD: MORGAN 2006/07/10 APPR: MILLER 2006/07/11	QUALITY SYMBOLS ▽=0 ▽=0	GENERAL TOLERANCES (UNLESS SPECIFIED)		DIMENSION STYLE IN/MM		SCALE 2:1	DESIGN UNITS INCH	THIRD ANGLE PROJECTION	
		4 PLACES ± --- ± ---	3 PLACES ± --- ± .010	DRAWN BY SCHMIDGALL	DATE 1995/03/31	TITLE .050 PITCH LFH 160 CKT. RIGHT ANGLE I/O FEMALE SALES ASSY W/HARDWARE			
		2 PLACES ± 0.25 ± ---	1 PLACE ± --- ± ---	CHECKED BY MOS	DATE 1995/03/31	APPROVED BY GWF			
		ANGULAR ±1/2°		MATERIAL NO. SEE TABLE		DOCUMENT NO. SDA-71626-400*		SHEET NO. 2 OF 2	
DRAFT WHERE APPLICABLE MUST REMAIN WITHIN DIMENSIONS				THIS DRAWING CONTAINS INFORMATION THAT IS PROPRIETARY TO MOLEX INCORPORATED AND SHOULD NOT BE USED WITHOUT WRITTEN PERMISSION					