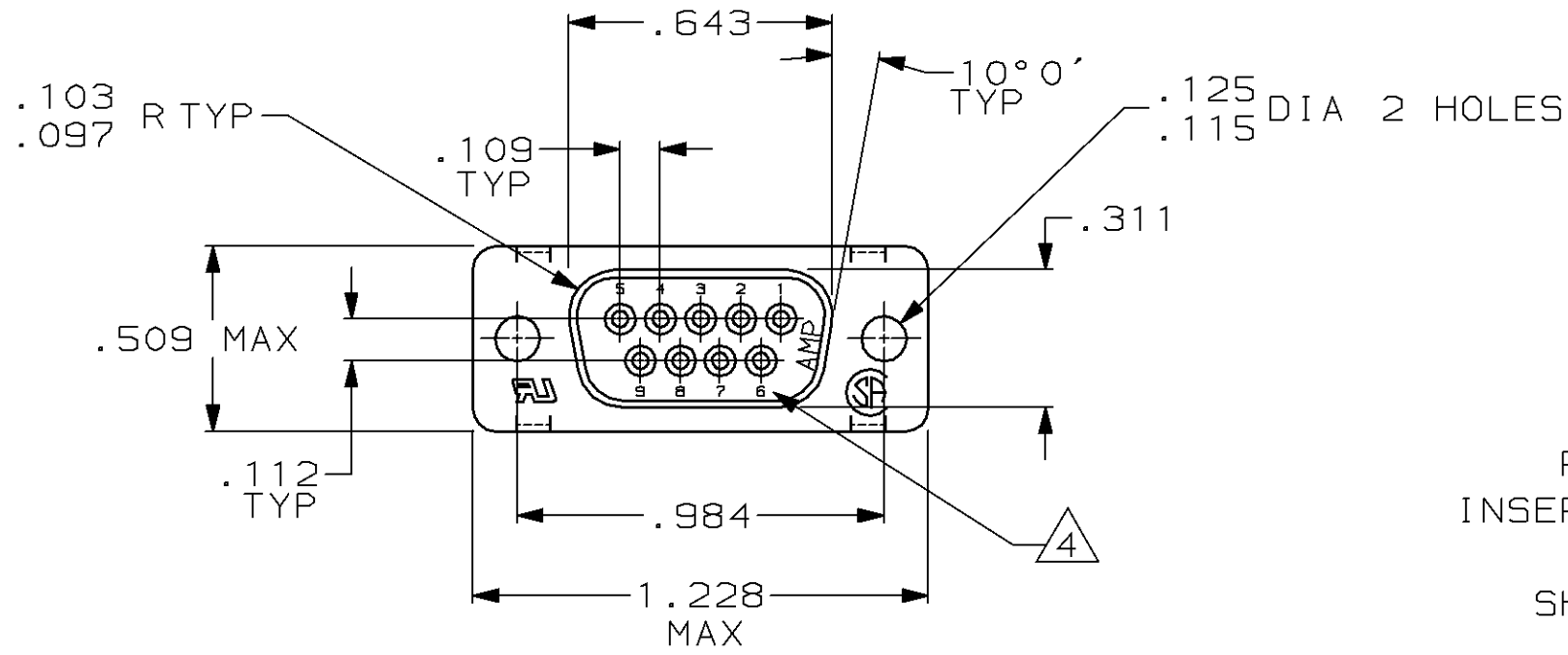
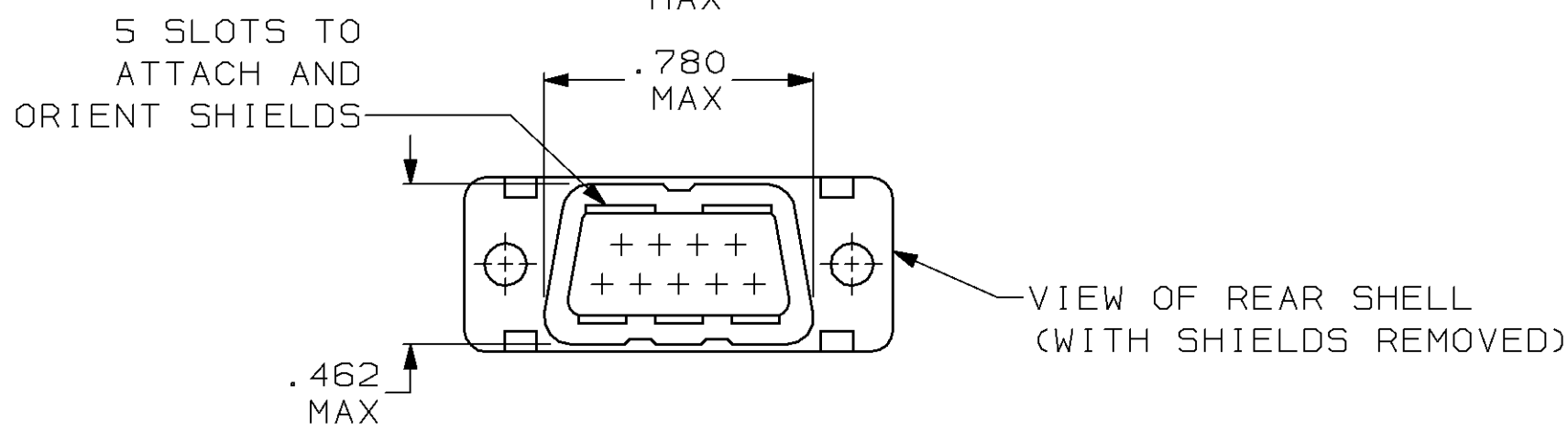
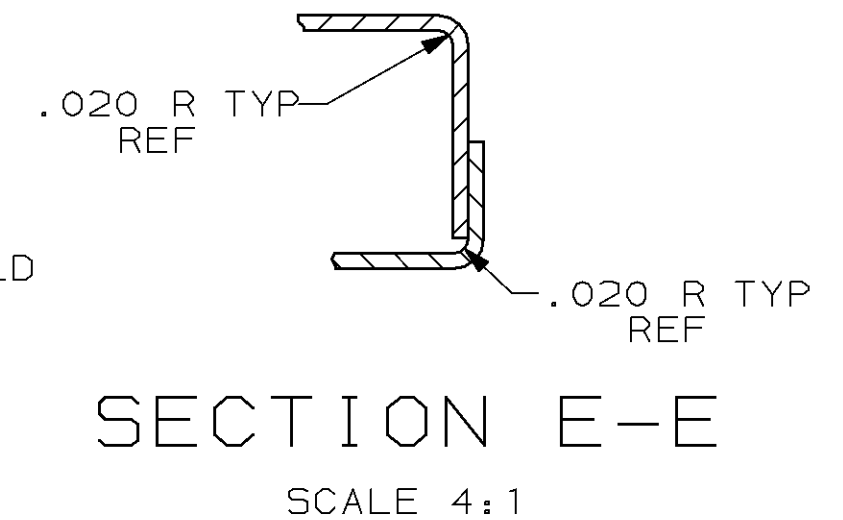
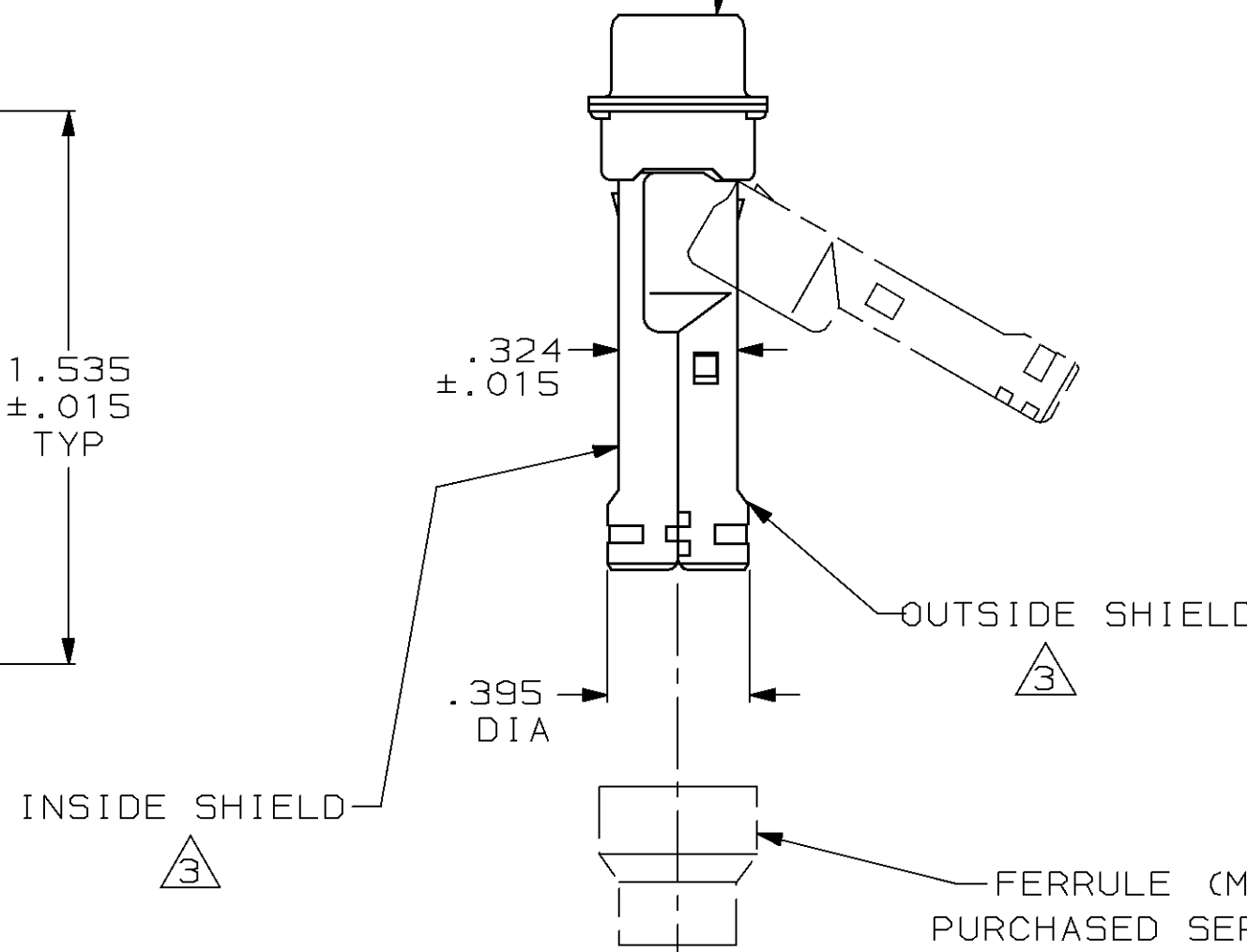
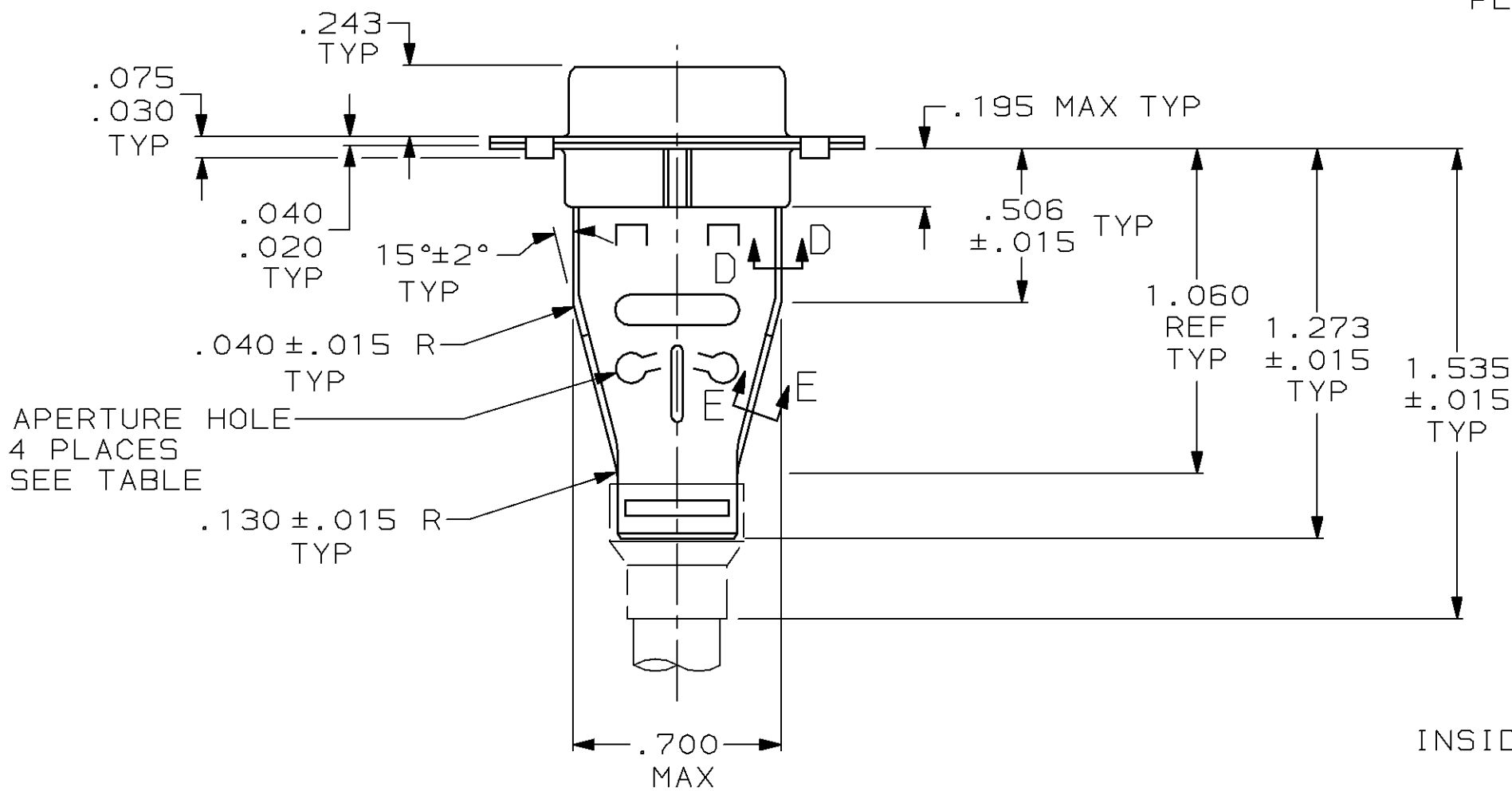
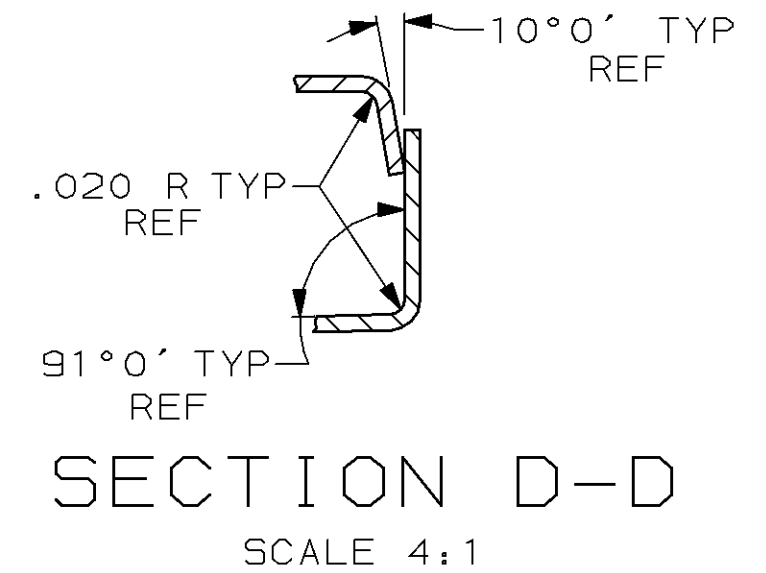


THIS DRAWING IS UNPUBLISHED. RELEASED FOR PUBLICATION
 © COPYRIGHT 19 BY AMP INCORPORATED. ALL INTERNATIONAL RIGHTS RESERVED.

LOC	DIST	P	F	REVISIONS				
				ZONE	LTR	DESCRIPTION	DATE	APPD
BD	48			A		REDRAWN	5-23-90	-
				B		REV PER ECN BD5049	7-2-91	TMS
				C		ADDED-2 NPR3889 WAS 91-5788-1-1	01/02/92	TMS
				D		OBS -2 PER ECN BD5856	01/17/92	TMS
				E		REACTIVATED -2 PER NPR 3975	02/14/92	TMS
				F		ADD -3 PER NPR 4199 WAS 92-5788-4	06/03/92	TBS
				G		OBS -2, -3 PER EC 0020-724-95	08 MAR 96	JCS



RECEPTACLE CONNECTOR ¹
 INSERT: BLACK GLASS FILLED NYLON
 94 V-0 RATED
 SHELL: STEEL PER ASTM A109
 BRIGHT TIN PLATED
 PER MIL-T-10727



OBSOLETE	-	⁵
OBSOLETE	WITHOUT	747523-2
	WITH	747523-1
	APERTURE HOLE	PART NUMBER

- ¹ RECEPTACLE ACCEPTS SIZE 20 SOCKET CONTACTS (CONTACTS ORDERED SEPARATELY)
- 2 ALL PARTS SHIPPED UNASSEMBLED, EACH PART INDIVIDUALLY BULK PACKED.
- ³ SHIELDS: MATERIAL-.020 THICK STEEL, TIN PLATED PER MIL-T-107207.
- ⁴ RAISED CAVITY IDENTIFICATION AND AMP TRADEMARK.
- ⁵ SEE RESTRICTED CUSTOMER DRAWING 747523-3.

DO NOT SCALE PRINT. UNLESS SPECIFIED DIMENSIONS IN INCHES TOLERANCES ON: 2 PLC DEC ± - 3 PLC DEC ± .005 ANGLES ± 0°30'	DR 5/23/90 A. STAUB BG	AMP INCORPORATED Harrisburg, Pa. 17105		
	CHK J. McCLINTON 8-31-90			NAME
MATERIAL SEE CALL OUT ³	APPD B. TAYLOR 9-4-90	KIT, RCPT, SHIELDING HARDWARE, SIZE 1, 9 POSN, HDP-20, AMPLIMITE™		
FINISH SEE CALL OUT ³	APPD J. ASSINI 9-4-90			
	PRODUCT SPEC -	SIZE C	FSCM NO 00779	DRAWING NO 747523
	APPLICATION SPEC -	SCALE 2:1		SHEET 1 OF 1
	WEIGHT -			